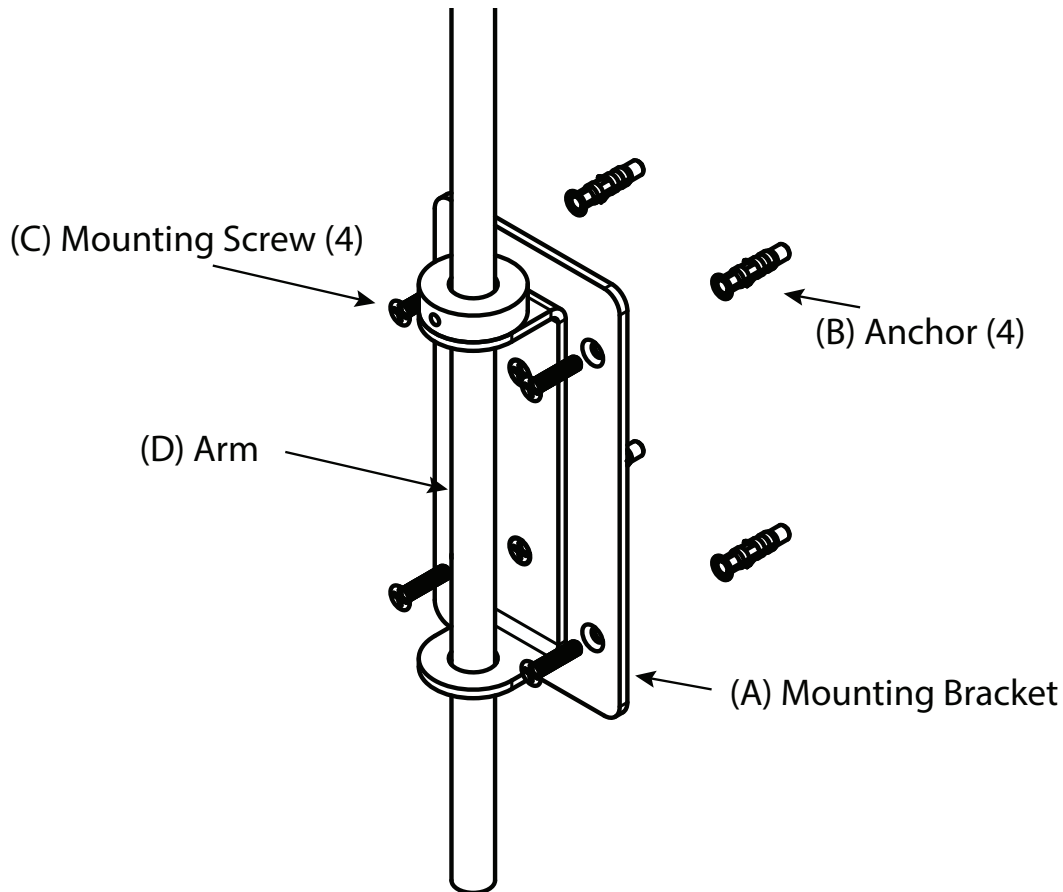


IMPORTANT

Safety, Warning and Suggestions

1. Qualified electrician is required to install this product/s.
2. Please read instructions carefully before installation.
3. All wiring and installations should meet local, state and national electrical codes.
4. Install correct lamp type and wattage.

SWC-Swing Arm Wall Light



1. Using a level, hold Mounting Bracket (A) against wall and note location of Mounting Screw (C) placement.
2. Install 4-Wall Anchors (B) in noted screw hole locations
3. Attach Mounting Bracket (A) to wall by screwing Mounting Screws (C) into Wall Anchors (B).