

Location: _____

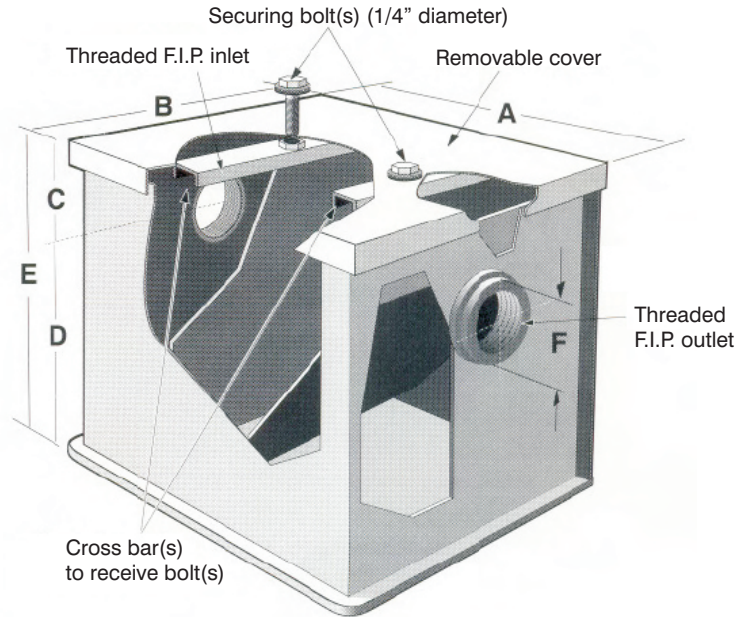


MI-GO

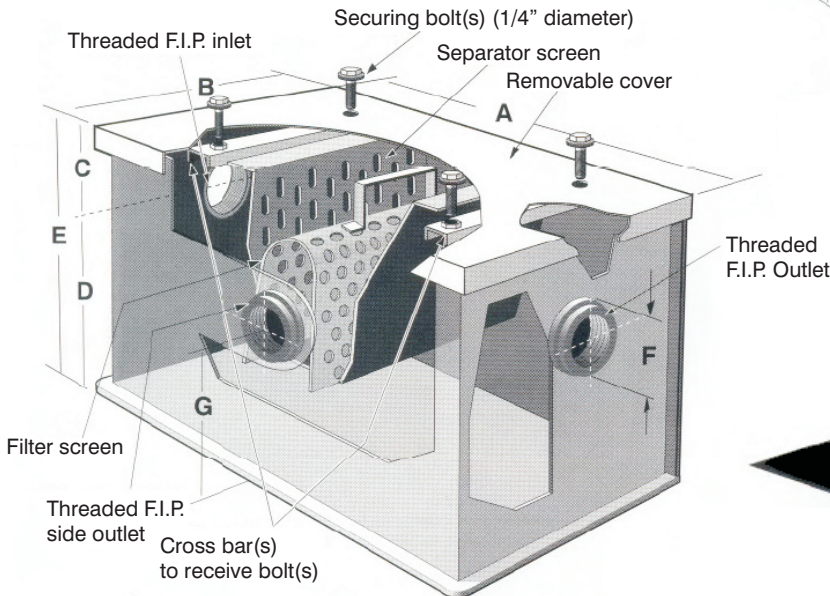
ECONOMY GREASE INTERCEPTOR

Specification: MIFAB Series MI-GO ____ (specify model) sanitary powder epoxy coated inside and outside fabricated 14 gauge steel grease interceptor with flow rating of ____ (indicate) and grease holding capacity of ____ (indicate). Unit shall include: removable separator screen, cross bars, securing bolts and steel powder epoxy coated, gasketed lid.

Function: Used in restaurants, kitchens, and other types of food processing areas where fat, oil and grease (FOG) drains with the wastewater. Interceptor must be installed on the ground.



MI-GO-1 Style



MI-GO-2, MI-GO-3 and MI-G-4 style

The separator screen is perforated at one end only. This end should always face the inlet. The separator screen can be reversed to change the inlet location. The MI-GO-2 style has a male threaded side outlet. The MI-GO-3 and MI-GO-4 style has a female threaded side outlet. THE MI-GO-3 and MI-GO-4 style have 4 bolts securing the lid to the body. The MI-GO-2 style has 2 bolts securing the lid to the body.

MODEL NO.	US GPM	GREASE CAP. LBS.	BODY DIMENSIONS						OVERALL DIMENSIONS					Replaces HICO	Replaces ROCK-FORD	Shipping Weight LBS.
			LGTH	WIDTH	D Inlet	D Outlet	F	G	A	B	C Inlet	C Outlet	E			
					IN	IN	IN	IN	IN	IN	IN	IN	IN			
MI-GO-1	8	12	10	8	6 1/2	6 1/2	2	N/A	10 3/4	8 3/4	3 3/4	3 3/4	10 1/4	3620	-	16
MI-GO-2	8	12	10	8	6	6	2	3 1/4	10 3/4	8 3/4	4 1/4	4 1/4	10 1/4	3630	G-1012	22
MI-GO-3	16	60	18 3/8	10 1/4	11	11	2	7 3/4	18 7/8	10 3/4	4 1/2	4 1/2	15 1/2	3631	G-1815	50
MI-GO-4	20	70	20 1/4	20 1/4	12	12	2	9	20 3/4	10 3/4	6	6	18	3632	G-1820	70

Body Dimensions are with the lid off
Overall Dimensions are with the lid on

SUFFIX
-SS

OPTIONAL VARIATION
Type 304 Fabricated Stainless Steel Interceptor

Job Name: _____	Page No: _____
Section No: _____	Contractor: _____
Schedule No: _____	Purchase Order No: _____

USA: 1-800-465-2736 www.mifab.com CAN: 1-800-387-3880