

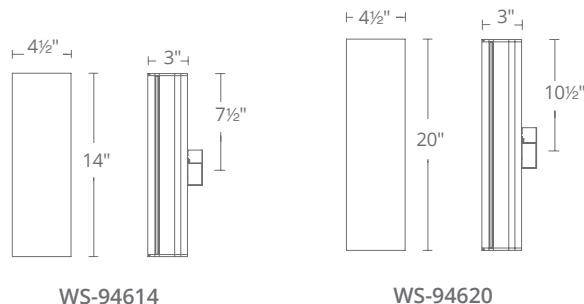


Fixture Type: _____

Catalog Number: _____

Project: _____

Location: _____



PRODUCT DESCRIPTION

LEDs are set at an angle to illuminate the wall surrounding the sconce while minimizing glare seen from the side. An exceptional option for illuminating corridors or stairwells where it may be challenging to find an ADA sconce that looks attractive from multiple viewing angles.

SPECIFICATIONS

- Construction:** Aluminum
- Light Source:** High output LED
- Finish:** Brushed Aluminum (AL), White (WT)
- Standards:** ETL & cETL Damp Location listed, ADA Compliant

FEATURES

- Mounts vertically or horizontally
- Dimmer: ELV
- Driver installs within the junction box
- Rated Life: 50,000 hours
- Color temp: 3000K
- CRI: 90

ORDER NUMBER

Model	Height	Wattage	Voltage	LED Lumens	Delivered Lumens	Finish
WS-94614	14"	21W	120-277V	960	658	AL Brushed Aluminum
WS-94620	20"	32W		1311	1160	WT White

Example: **WS-94614-AL**

modernforms.com
Phone (866) 810.6615
Fax (800) 526.2585

Headquarters/Eastern Distribution Center
44 Harbor Park Drive
Port Washington, NY 11050

Central Distribution Center
1600 Distribution Ct
Lithia Springs, GA 30122

Western Distribution Center
1750 Archibald Avenue
Ontario, CA 91760