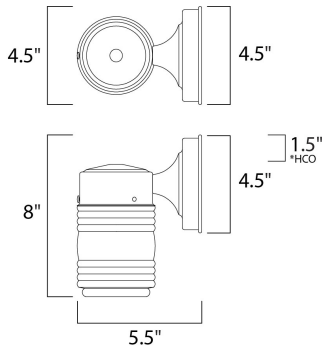




**PRODUCT DESCRIPTION**

Maxim Lighting's commitment to both the residential lighting and the home building industries will assure you a product line focused on your lighting needs. With Maxim Lighting you will find quality product that is well designed, well priced and readily available.



\*height from center of outlet to the top of the fixture

**MEASUREMENTS**

- DIMENSION : 4.5" W x 8" H x 5.5" Ext
- BACK PLATE : 4.5" W x 4.5" H x 1.5" HCO
- HANGING WEIGHT : 1.54 lb

**LAMPING**

- INPUT VOLTAGE : 120V
- LUMENS : 672 Rated
- BULB : 1 x 60W Incandescent E26 Medium , 60W Total
- BULB INCLUDED : (Not Included)
- DIMMABLE : Yes

**FINISHES OPTION**

- Black
- White

**GLASS**

Clear CL

**MATERIAL**

Steel

**RATINGS**

cETLus  
Wet Location



**ADDITIONAL**

RATED LIFE 2500 Hours  
OPERATING TEMPERATURE:  
-20°C (-4°F), 40°C (104°F)

Always consult a qualified electrician before installing any lighting product.



**WESTERN DISTRIBUTION CENTER (HEADQUARTER)**  
253 NORTH VINELAND AVE | CITY OF INDUSTRY, CA 91746  
**EASTERN DISTRIBUTION CENTER**  
4200 SHIRLEY DR. | ATLANTA, GA 30336  
P. 626.956.4200 | F. 626.956.4225 | maximlighting.com