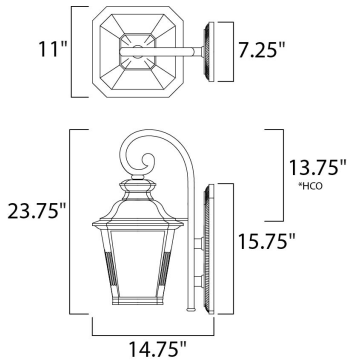




**PRODUCT DESCRIPTION**



\*height from center of outlet to the top of the fixture

**MEASUREMENTS**

DIMENSION : 11" W x 23.75" H x 14" Ext  
 BACK PLATE : 7.25" W x 15.75" H x 13.75" HCO  
 HANGING WEIGHT : 9.39 lb

**LAMPING**

INPUT VOLTAGE : 120V  
 LUMENS : 1,100 Rated  
 BULB : 1 x 12W LED E26 Medium , 12W Total  
 BULB INCLUDED : (Included)  
 DIMMABLE :  
 CRI : 90+ CRI  
 COLOR\_TEMP : 3000K

**FINISHES OPTION**

 Bronze

**GLASS**

Frosted Seedy FS

**MATERIAL**

Die Cast Aluminum

**RATINGS**

cETLus  
 Wet Location  
 JA8 Bulb In



**ADDITIONAL**

RATED LIFE 25000 Hours  
 OPERATING TEMPERATURE:  
 -20°C (-4°F), 40°C (104°F)

Always consult a qualified electrician before installing any lighting product.



**WESTERN DISTRIBUTION CENTER (HEADQUARTER)**  
 253 NORTH VINELAND AVE | CITY OF INDUSTRY, CA 91746  
**EASTERN DISTRIBUTION CENTER**  
 4200 SHIRLEY DR. | ATLANTA, GA 30336  
 P. 626.956.4200 | F. 626.956.4225 | maximlighting.com