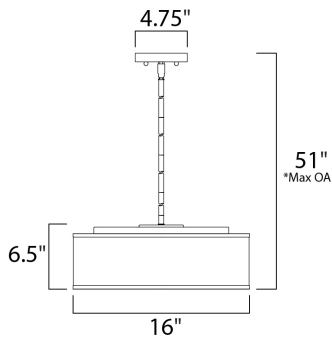




**PRODUCT DESCRIPTION**

This collection of LED drum fixtures feature many options of fabric shades with an internal acrylic diffuser which twist locks into place. The result is a crisp clean look without any exposed screws or knobs. Whether you are looking for residential or commercial, there is sure to be a combination for your application.



\*max overall height

**MEASUREMENTS**

DIMENSION : 16" W x 6.5" H  
 MAX OAH : 51" OAH  
 CANOPY : 4.75" W x 0.75" H x 4.75" L  
 HANGING WEIGHT : 14.33 lb

**LAMPING**

INPUT VOLTAGE : 120V  
 LUMENS : 1,365 Rated  
 BULB : 3 x 6.5W LED AC Integrated , 20W Total  
 BULB INCLUDED : (Integrated)  
 DIMMABLE : Triac CL  
 CRI : 90+ CRI  
 COLOR\_TEMP : 3000K

**FINISHES OPTION**

-  Oil Rubbed Bronze
-  Satin Nickel

**MATERIAL**

Steel + Acrylic + Fabric

**RATINGS**

cETLus  
 Dry Location



**ADDITIONAL**

ADJUSTABLE  
 SLOPE: 120  
 RATED LIFE 35000 Hours  
 OPERATING TEMPERATURE:  
 -20°C (-4°F), 40°C (104°F)

Always consult a qualified electrician before installing any lighting product.



**WESTERN DISTRIBUTION CENTER (HEADQUARTER)**  
 253 NORTH VINELAND AVE | CITY OF INDUSTRY, CA 91746  
**EASTERN DISTRIBUTION CENTER**  
 4200 SHIRLEY DR. | ATLANTA, GA 30336  
 P. 626.956.4200 | F. 626.956.4225 | maximlighting.com