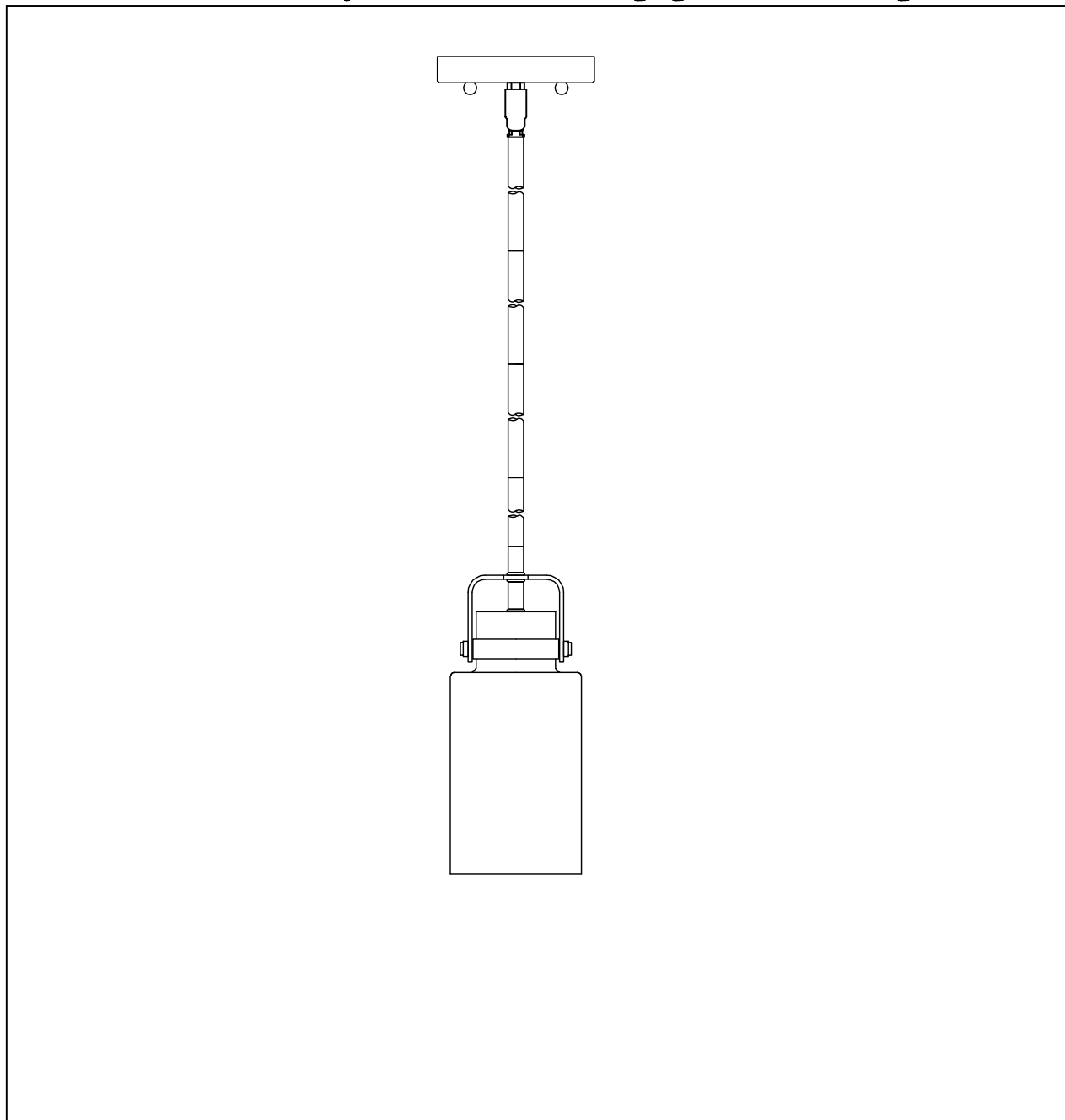




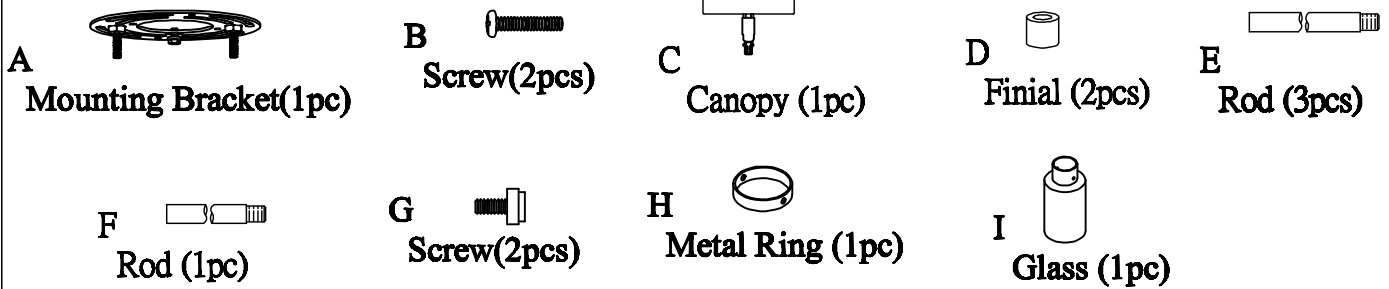
PRODUCT NAME: Magnolia 1lt mini pendant
ITEM NUMBER: 91070

Please consult your electrician for hanging fixture and wiring.

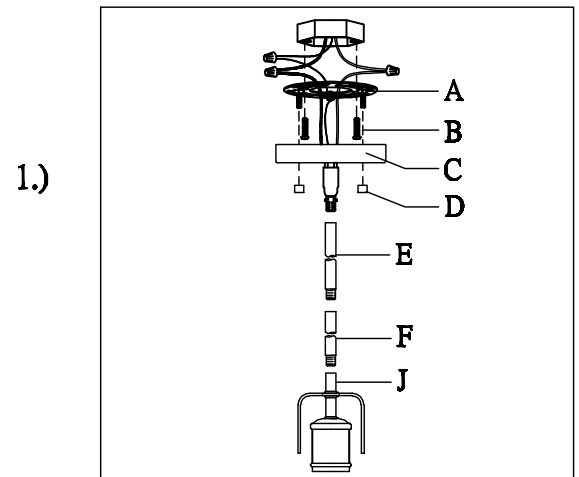
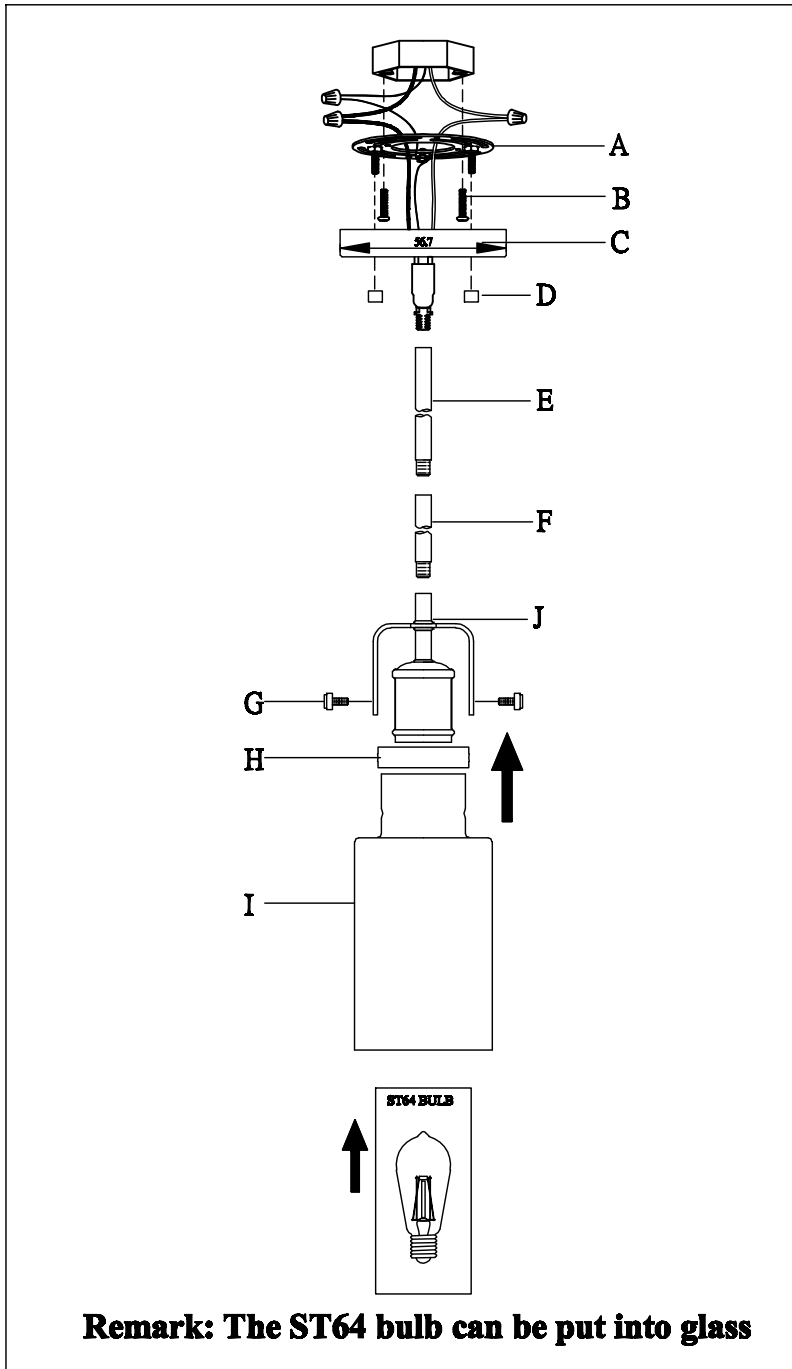


Bulb(not included): 1-60 Watt Medium Base Bulb

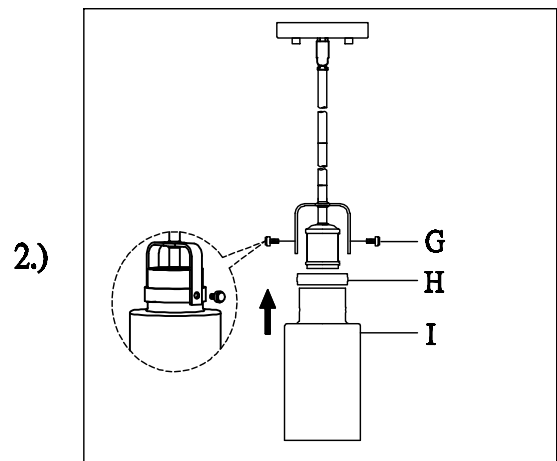
IMPORTANT: Turn off the power at the main fuse or circuit breaker box before starting installation



Locate all hardware & components before discarding packaging



Step.1: Remove mounting bracket from fixture and install to electrical box
Run wire through stems and combine stem lengths to meet desired mounting height.
Wire fixture to wires in outlet box.
Green wire is for Ground.
Install fixture to bracket and tighten screws at the ends of the canopy to secure.



Step.2: Attach metal ring (H) and glass (I) to yoke and secure using set screws(G).

Cleaning & Care:

Clean with soft cloth and a mild detergent.
Do not use abrasive cleaner.