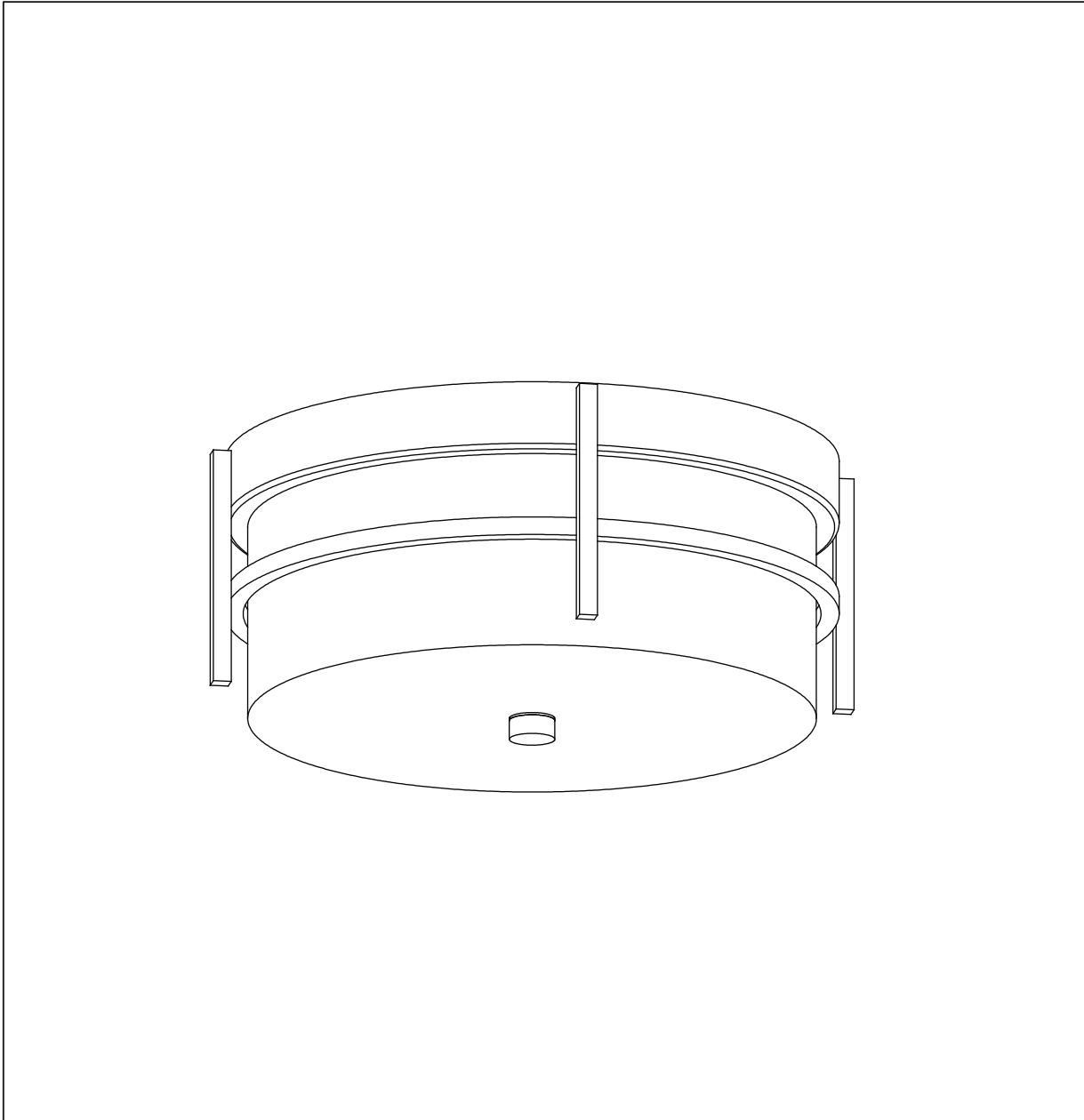




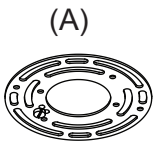
PRODUCT NAME : Luna 2-Light Outdoor Ceiling Mount
ITEM NUMBER : 65217

Please consult your electrician for hanging fixture and wiring.

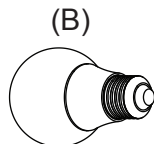


Bulb (included): 2x9W LED E26 Medium Base Bulb

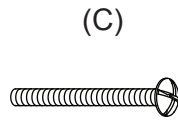
IMPORTANT : Turn off the power at the main fuse or circuit breaker box before starting installation



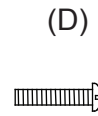
Bracket



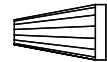
Bulb (2Pcs)



Mounting Screw (2Pcs)

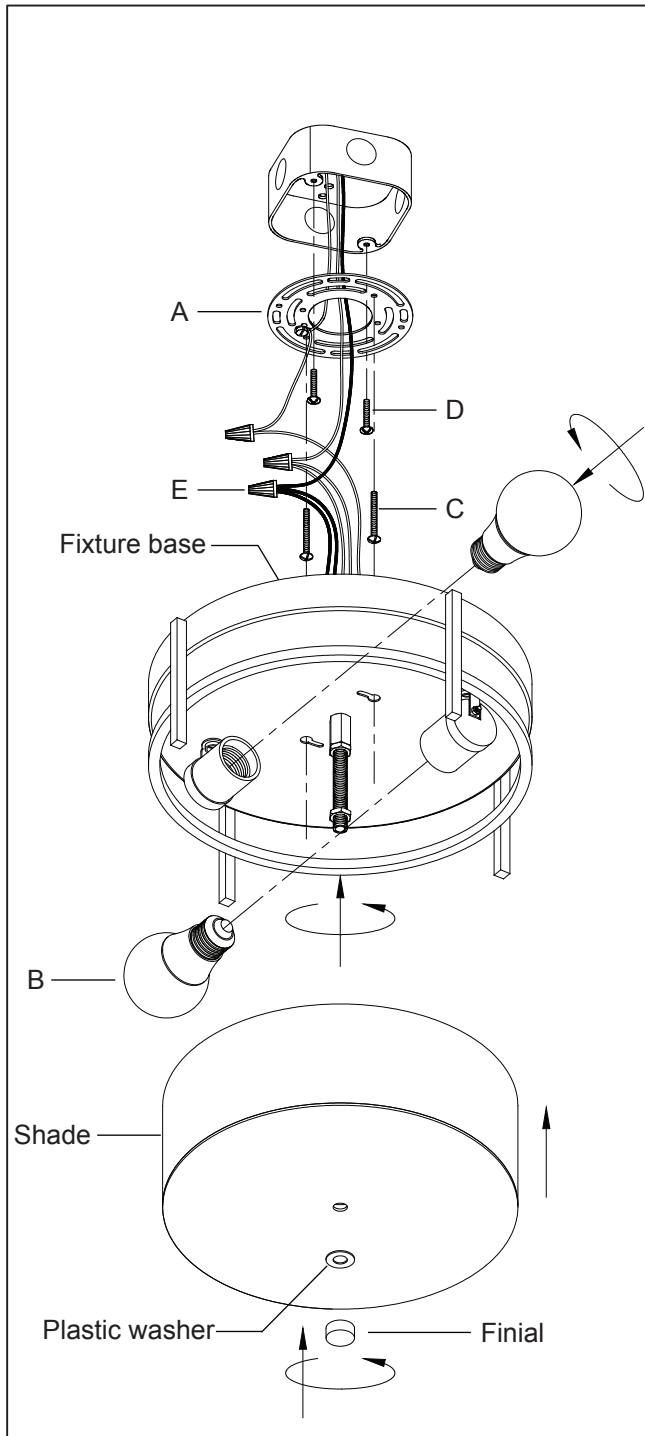


Box Screw (2Pcs)

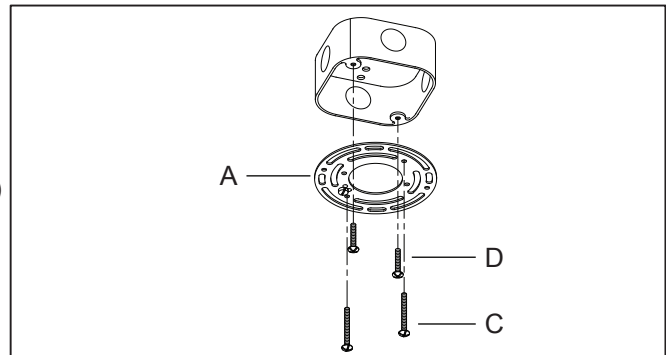


Wirenut (3Pcs)

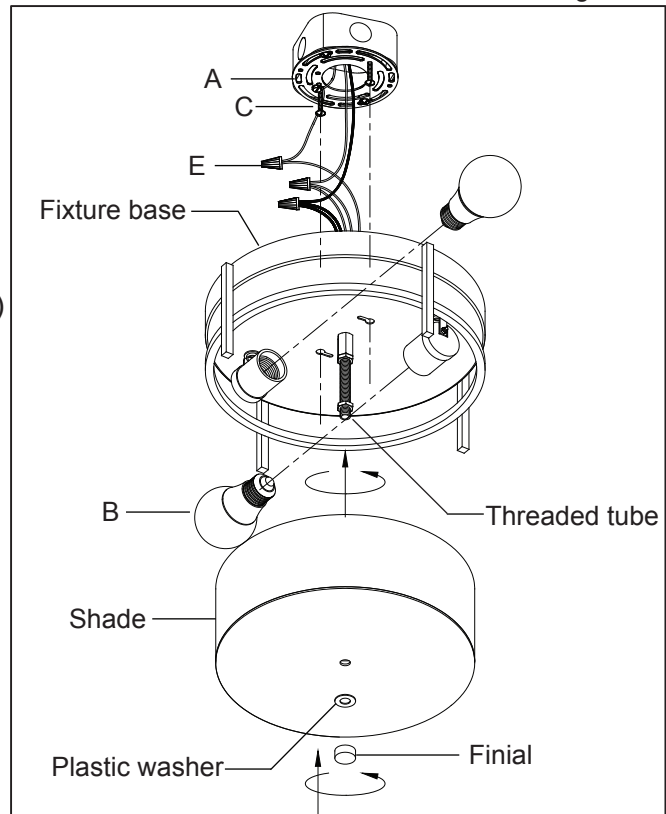
Locate all hardware & components before discarding packaging



Cleaning & Care:
Clean with soft cloth and a mild detergent.
Do not use abrasive cleaner.



Step1: Remove mounting bracket from fixture and install to electrical box, Screw the Mounting Screws until the screw head is about 1.3 inches from the mounting bracket



Step2: Wire fixture to wires in outlet box. Copper wire is for Ground. Lift the fixture base against the wall so that the 2 mounting keyholes located on the back of the Canopy align and engage with the protruding screw heads. Gently lower the lighting fixture so that the screws support its full weight. Make sure that each screw is completely engaged with its keyhole before releasing the fixture. Some readjustment of the screws may be needed to ensure a secure fit against the wall. Screw light bulbs(included) into the socket .Fit the shade onto the threaded tube then tighten with the finial.