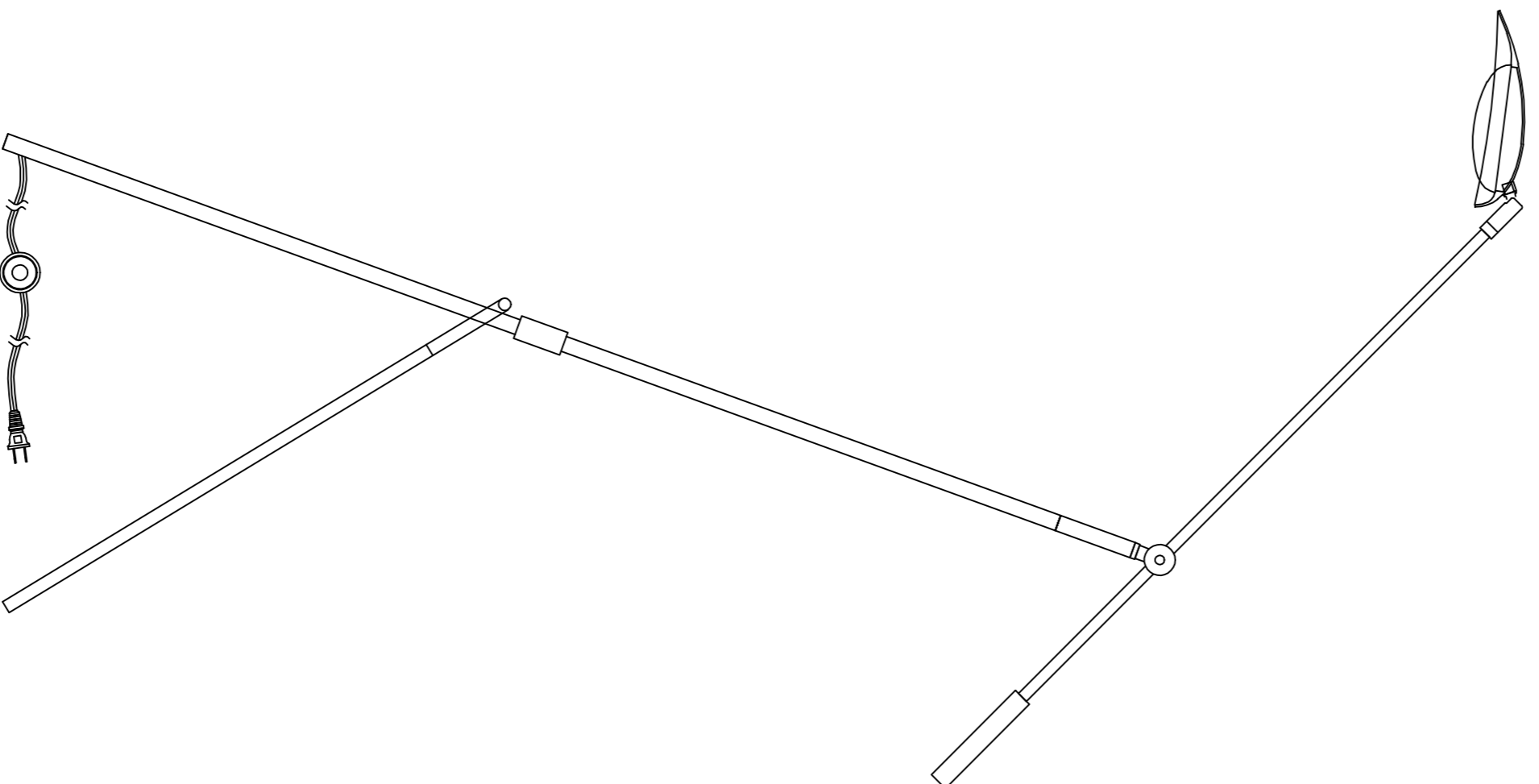


PRODUCT NAME: Scan
ITEM NUMBER: 21694BKSSBR

Please consult your electrician for hanging fixture and wiring.



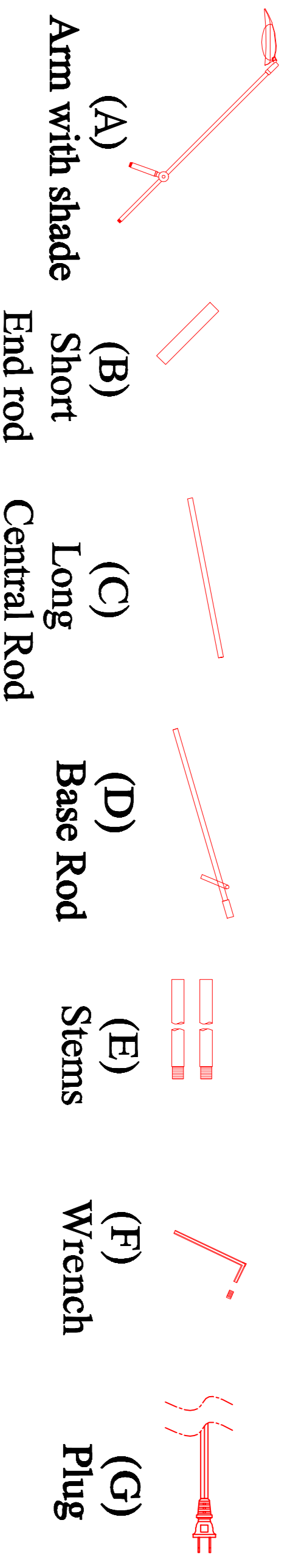
This fixture is designed to dim with an Electronic Low Voltage dimmer. Dimming levels will vary by dimmer. Below is a List of Recommended Dimmers:

- Lutron DVELV-330P
- Lutron MAELV-600M
- Lutron SAELV-153P
- Leviton IPL06-10Z
- Leviton 6674-POW
- Legrand Tru-Universal ADTP703TUW4

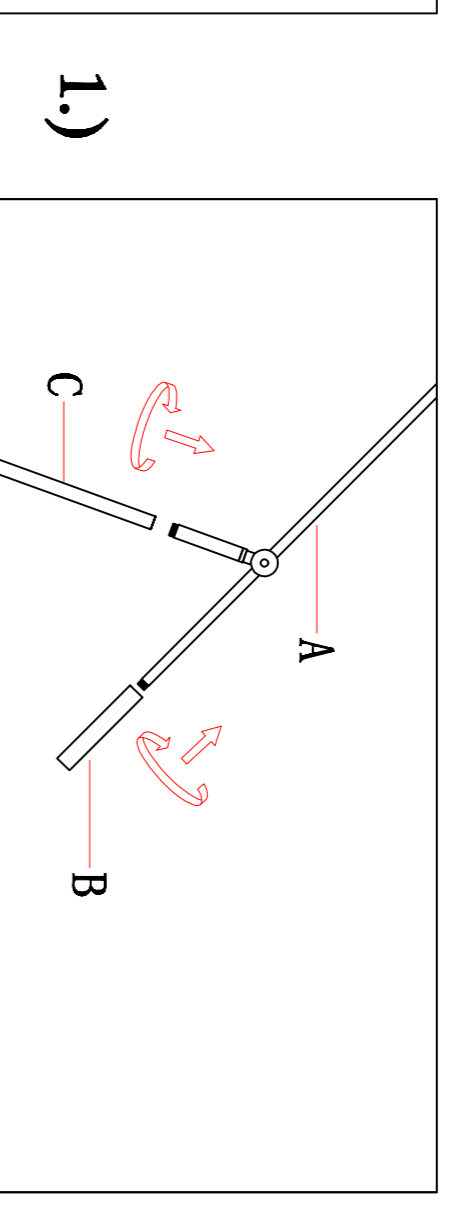
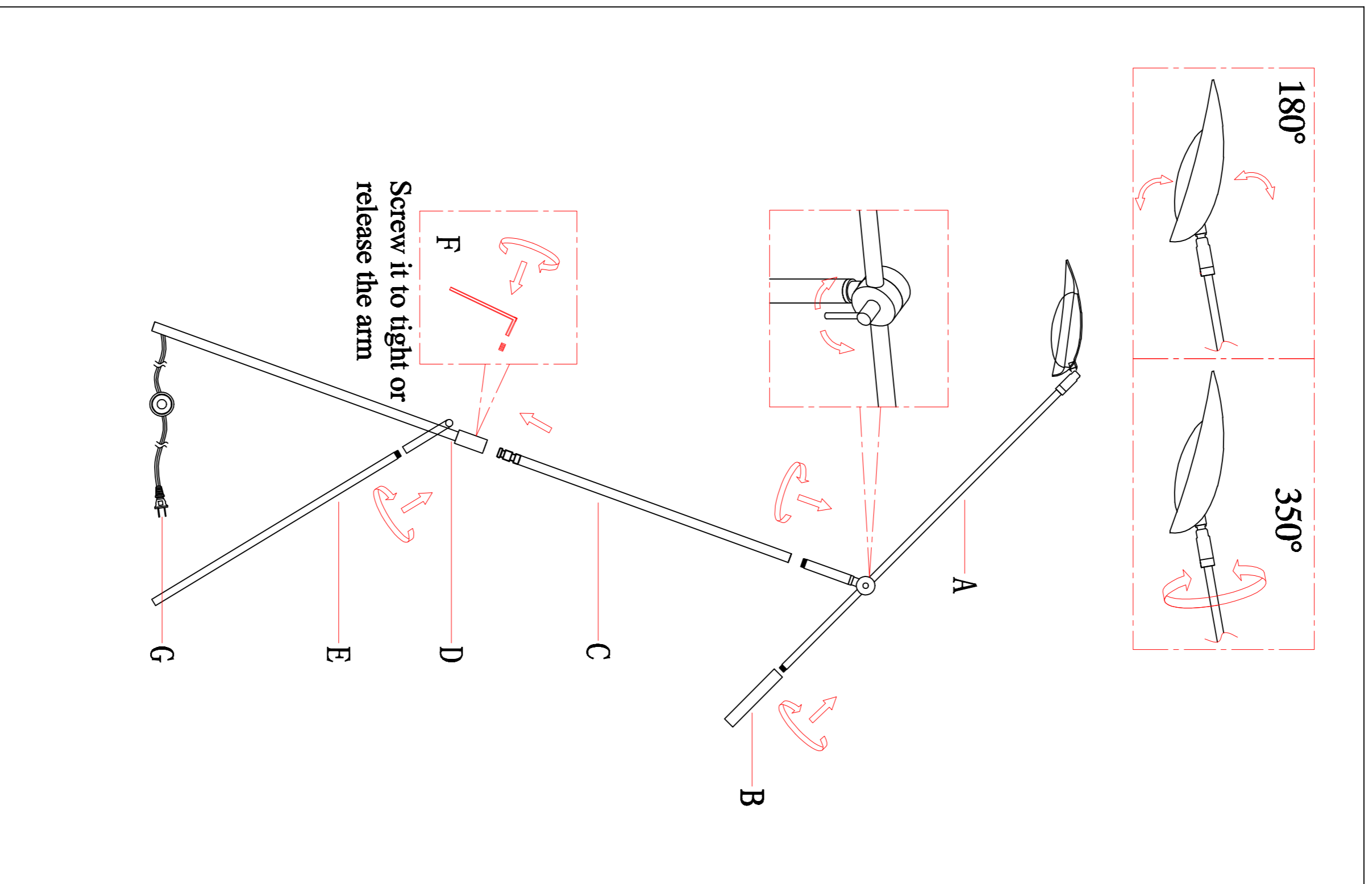
Due to inrush current wattage should not exceed 150 watts of product for a 600 watt dimmer.

Bulbs (Included): 1*6.5Watt AC LED

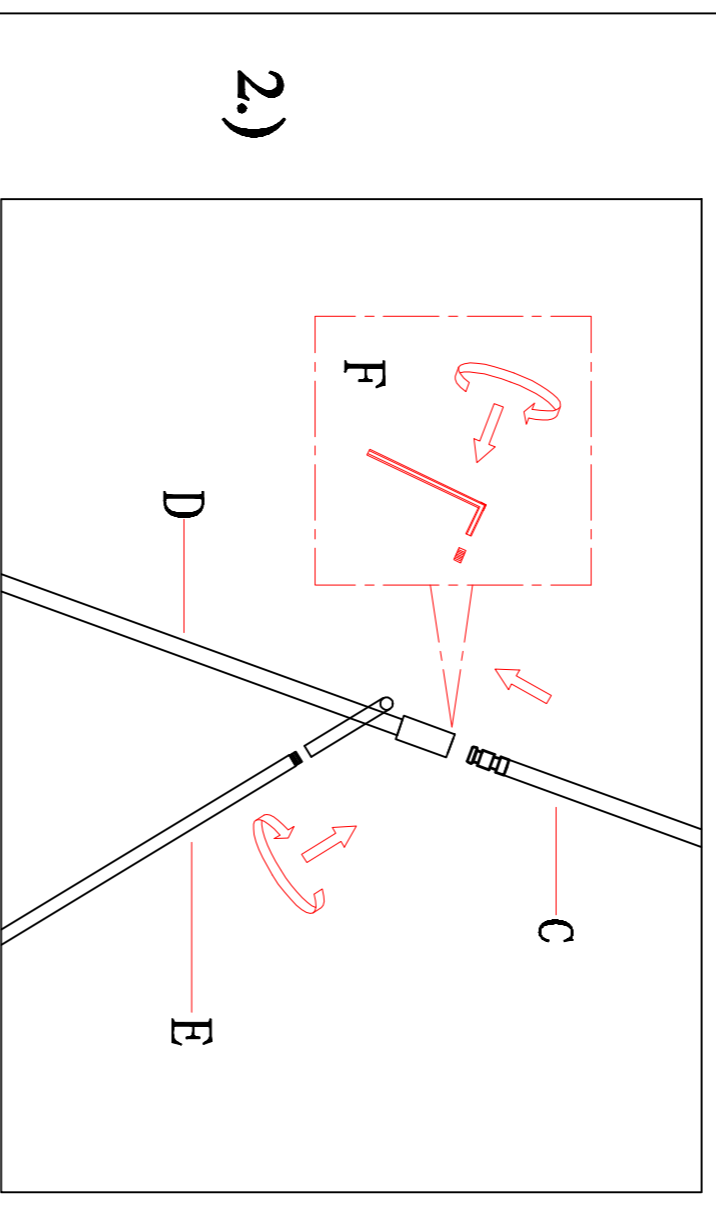
IMPORTANT: Turn off the power at the main fuse or circuit breaker box before starting installation



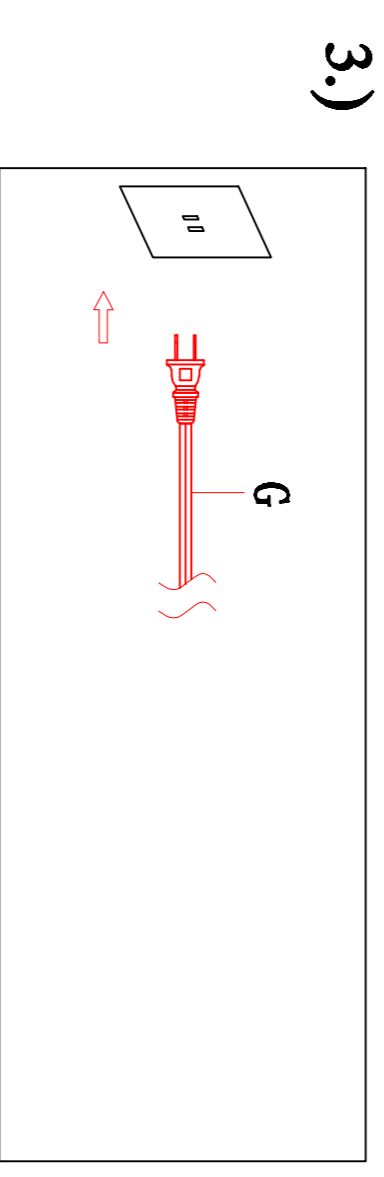
Locate all hardware & components before discarding packaging



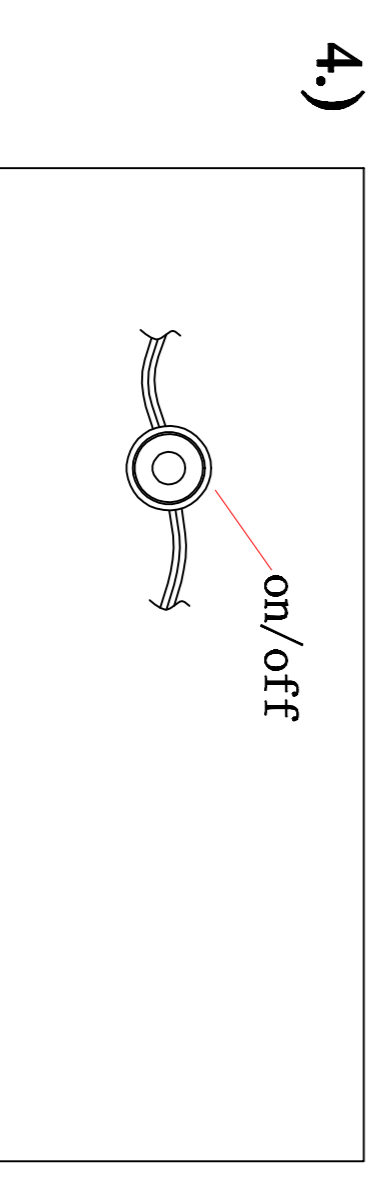
1.) Step.1: Scew the short end rod (B) and the long central rod (C) into the arm with shade(A).



2.) Step.2: Attach the stem(E) with the Base rod (D), and then screw this part into the long central rod(C). Screw the wrench(F) to tight or release the central rods (C), adjust the lamp arms to the desired position.



3.) Step.3: Plug in the fixture (G).



4.) Step.4: Turn on the fixture using the step switch.

Cleaning & Care:
Clean with soft cloth and a mild detergent.
Do not use abrasive cleaner.