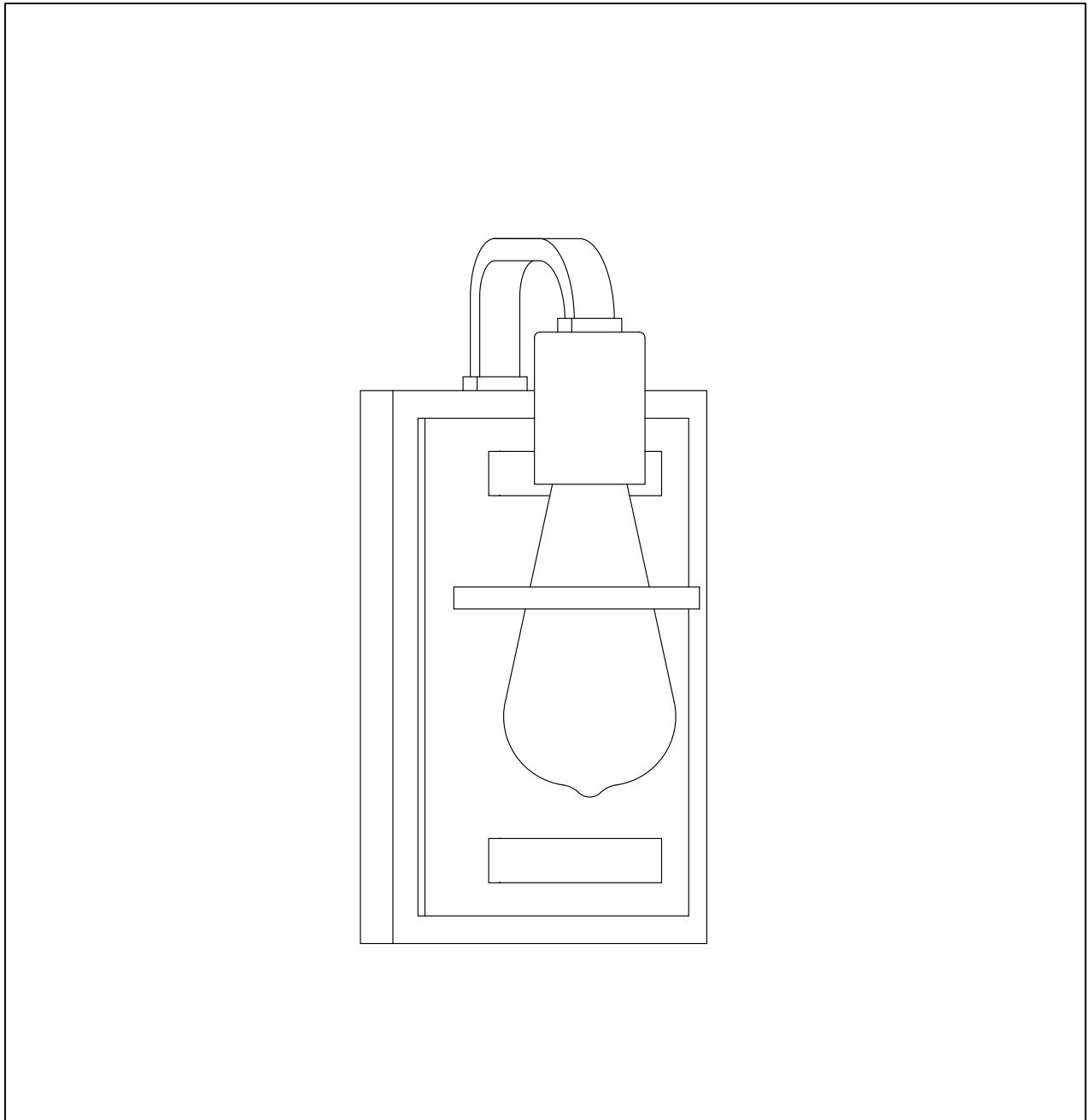


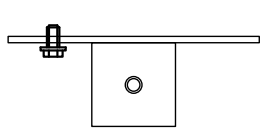


PRODUCT NAME: Black Forest 1 -Light Wall Sconce
ITEM NUMBER: 10301



Bulbs (Not Included) : E26 1*60W ST64

IMPORTANT: Turn off the power at the main fuse or circuit breaker box before starting installation



Bracket(A)



(B)

Mounting Screws



(C)

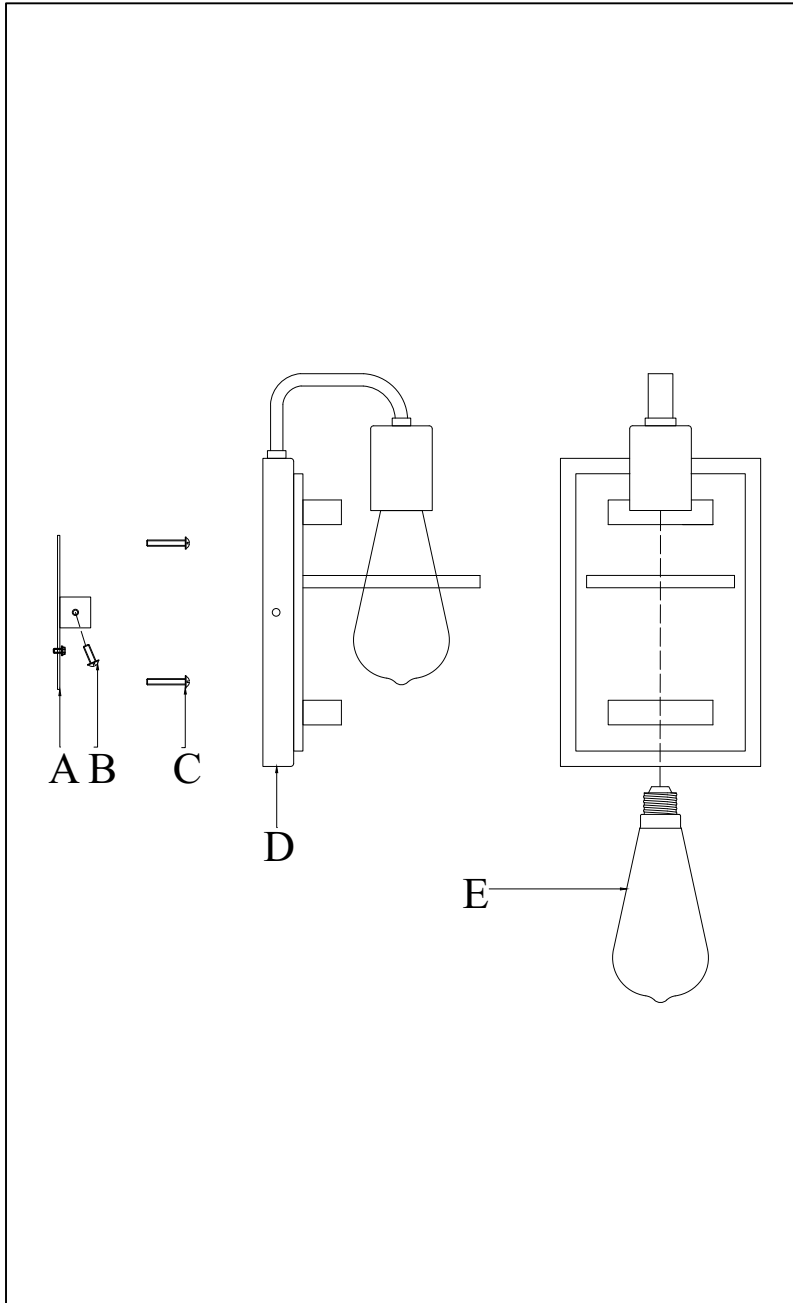


Canopy(D)

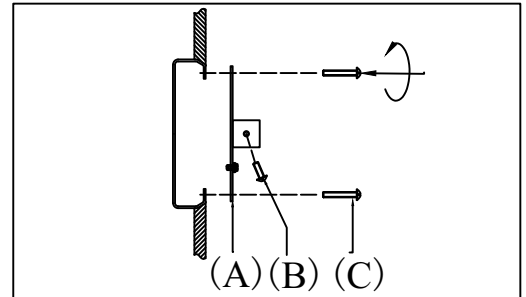


Bulb(E)

Locate all hardware & components before discarding packaging

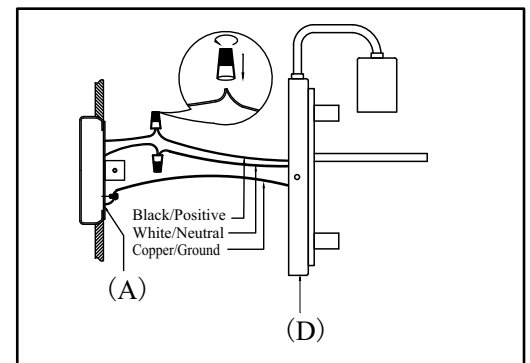


1.)



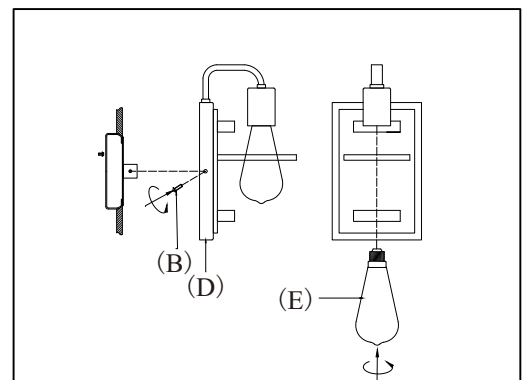
Step1 :Remove mounting bracket from fixture and install to electrical box.

2.)



Step2 :Wire fixture to wires in outlet box.Copper wire is for Ground.

3.)



Step3 : Install lamp body to back plate using two screws on side. Install bulb into socket.

Cleaning & Care:

Clean with soft cloth and a mild detergent.
Do not use abrasive cleaner.