



# MAIDSTONE

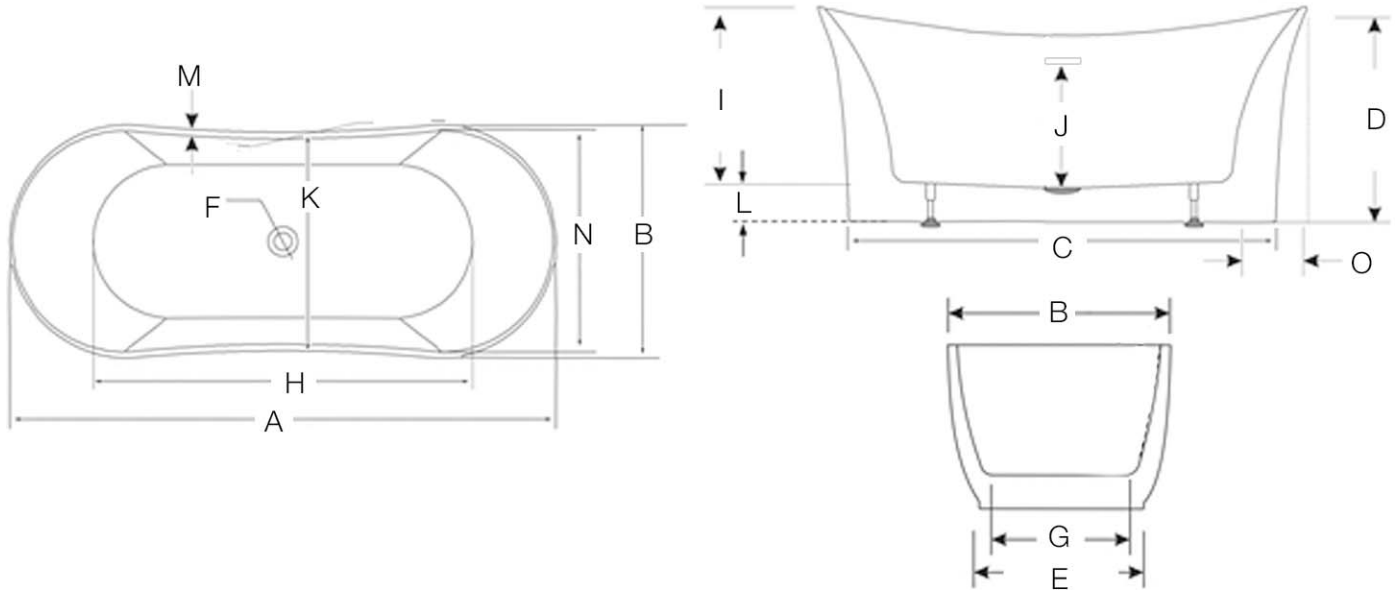
www.MaidstoneSupply.com

## Acrylic Double Ended Freestanding Tub

Part No: 22022

67 Inch

### TECHNICAL INFORMATION



### DIMENSIONS (INCHES)

|    | A                              | B                              | C                              | D                              | E  | F | G  | H                              | I                              | J  | K                              | L                             | M                             | N                              | O                             |
|----|--------------------------------|--------------------------------|--------------------------------|--------------------------------|----|---|----|--------------------------------|--------------------------------|----|--------------------------------|-------------------------------|-------------------------------|--------------------------------|-------------------------------|
| 67 | 66 <sup>1</sup> / <sub>4</sub> | 31 <sup>3</sup> / <sub>8</sub> | 46 <sup>1</sup> / <sub>2</sub> | 28 <sup>1</sup> / <sub>2</sub> | 25 | 2 | 19 | 42 <sup>1</sup> / <sub>2</sub> | 24 <sup>3</sup> / <sub>8</sub> | 14 | 29 <sup>9</sup> / <sub>8</sub> | 4 <sup>3</sup> / <sub>4</sub> | 1 <sup>1</sup> / <sub>8</sub> | 29 <sup>1</sup> / <sub>4</sub> | 9 <sup>7</sup> / <sub>8</sub> |

|                  | 67 |
|------------------|----|
| EMPTY (LB)       | -  |
| FILLED (LB)      | -  |
| CAPACITY (GAL)   | -  |
| WATER DEPTH (IN) | -  |

Approximate Measurements

Contact Maidstone for additional information and specifications. For complete warranty information and a list of dealers visit [www.MaidstoneSupply.com](http://www.MaidstoneSupply.com). All products and specifications are subject to change without notice. Maidstone is not responsible for typographical and/or dimensional errors. Typographical errors are subject to correction.

Note: Rough-in dimensions may vary +/- 1/2" and are subject to change. No responsibility is assumed by Maidstone.