

For Chandelier Fixtures

**WARNING! SHUT POWER OFF AT FUSE OR CIRCUIT BREAKER.
ATTENTION! COUPER LE COURANT AU FUSIBLE OU LE DISJONCTEUR.**

ASSEMBLING THE FIXTURE (Fig.2).

1. Attach the loop (A) to the lamp body (B) by turning it clockwise until tight.
2. Thread the nipple (G) into coupling on bottom of the frame (E) and secure it with the hex nut (F).
3. Raise the finial base (H) over the nipple (G) and thread the finial (I) onto the nipple (G).
4. Place the glass shade (D) into the frame (E).
5. Install the light bulbs in accordance with the fixture specifications NOTE: DO NOT EXCEED THE SPECIFIED WATTAGE!
6. Hook the end of arms (C) to the hook on the lamp body (B) and the arm of the frame (E).

HANGING THE FIXTURE (Fig.1)

1. Shut off the power at the circuit breaker and remove old fixture from ceiling, including the old crossbar.
2. Carefully unpack new fixture and lay all the parts on a clear surface.
3. Thread nipple (C) into loop (F) until snug.
4. Thread other end of nipple (C) with loop attached into crossbar (D) until snug.
5. Place lock washer (B) over end of nipple protruding through crossbar and thread hex nut (A) onto nipple until tight.
6. Take this crossbar assembly and mount to ceiling junction box with junction box screws (E). Tighten screws securely with screwdriver.
7. Using proper chain pliers to open one end link of the chain provided and connect to the fixture loop (I). Close the link.
8. By measuring, determine correct number of links needed for proper hanging height. Using proper chain pliers disconnect and discard remaining chain.
9. Lace the fixture wires through the chain.
10. Slip loop collar (H) over the chain, then do the same with the canopy (G).
11. Open the other end link of the chain and hang the fixture on the loop at the ceiling. Close the link.
12. Feed the fixture wires through the loop (F) and nipple (C) and pull until taut.
13. Slide canopy (G) up flush to ceiling, secure using loop (H).

CONNECTING THE WIRES (Fig.3)

1. Take the black wire from the ceiling junction box and the smooth wire leg from the fixture and twist bare ends together. Twist wire connector onto end of wire until snug.
2. Repeat same process with white junction box wire and ribbed wire leg of fixture wire. NOTE: Twist wires together in the same direction you twist the wire connector onto wires.
3. If your junction box has a grounding wire (green or bare copper), attach this wire and the bare copper wire from the fixture together as step 1. If junction box has no ground wire, attach the bare copper fixture wire to the green ground screw on the crossbar.
4. Tuck these wire connections neatly into the ceiling outlet box and then raise the canopy (G) all the way to the ceiling. Raise the loop (H) and thread onto ceiling loop protruding through canopy.

Your installation is now complete. Return power to the junction box and test the fixture.

Fig.1

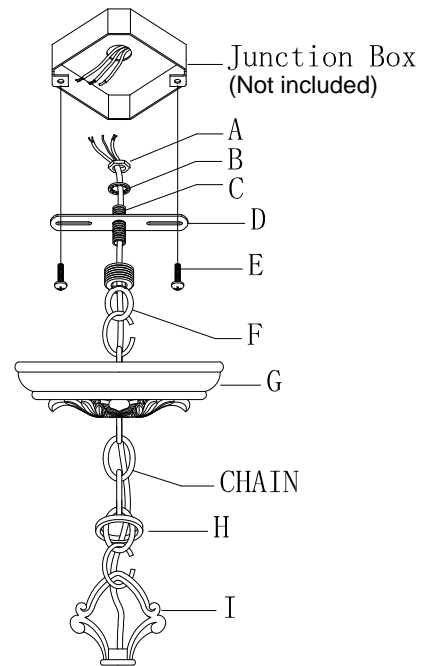


Fig.2

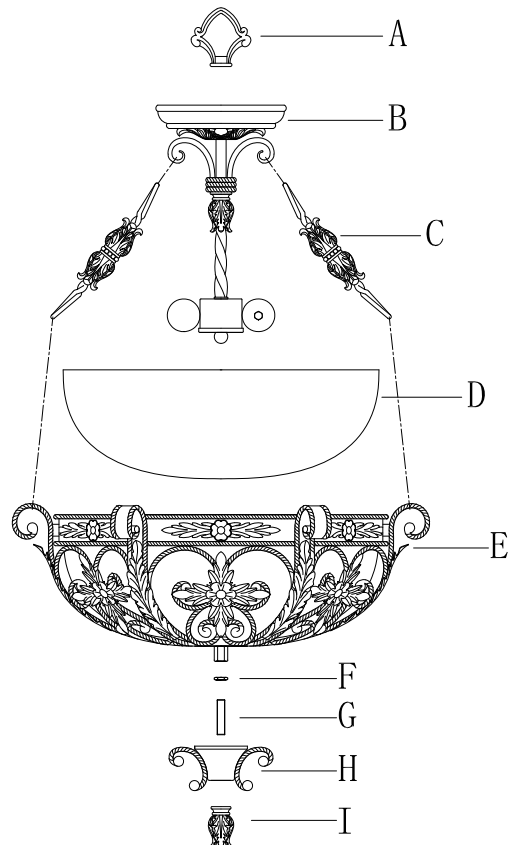
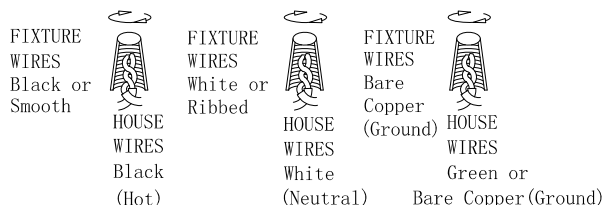


Fig.3



ASSEMBLING & INSTALLATION INSTRUCTIONS PRODUCT# 8843-64

For Semi Flush Mount Ceiling Fixtures

**WARNING! SHUT POWER OFF AT FUSE OR CIRCUIT BREAKER.
ATTENTION! COUPER LE COURANT AU FUSIBLE OU LE DISJONCTEUR.**

ASSEMBLING THE FIXTURE (Fig.1).

1. Shut off the power at the circuit breaker box. Remove old fixture and all hardware from Junction Box.
2. Carefully unpack your new fixture and lay out all the parts on a clear area. Take care not to lose any small parts necessary for installation.
3. Thread the two Studs (A) about 1/4" into the pre-drilled holes in the Crossbar spaced the same distance apart as the holes in the fixture (B).
4. Attach the Crossbar to the Junction Box with the two Junction Box Screws as shown. The side of the Crossbar marked "GND" must face out.
5. While holding the column assembly towards the ceiling, connect the electrical wires as Shown in Fig.2, making sure that all wire nuts are secured. You may have to wrap the connections with electrical tape. If your outlet has a ground wire (green or bare copper), connect the fixture ground wire to it. Otherwise connect fixture's ground wire directly to the Crossbar with the green screw provided. After wires are connected, tuck them carefully inside the Junction Box.
6. Put the lamp body (B) onto the junction box, aligning screws on Crossbar with mounting holes in canopy and lock it securely with the ball nut (J).
7. Install the light bulbs in accordance with the fixture specifications NOTE: DO NOT EXCEED THE SPECIFIED WATTAGE!
8. Thread the nipple (G) into coupling on bottom of the frame (E) and secure it with the hex nut (F).
9. Raise the finial base (H) over the nipple (G) and thread the finial (I) onto the nipple (G).
10. Place the glass shade (D) into the frame (E)
11. Hook the end of arms (C) to the hook on the lamp body (B) and the arm of the frame (E).

Your installation is now complete. Return power to the junction box and test the fixture.

Fig.1

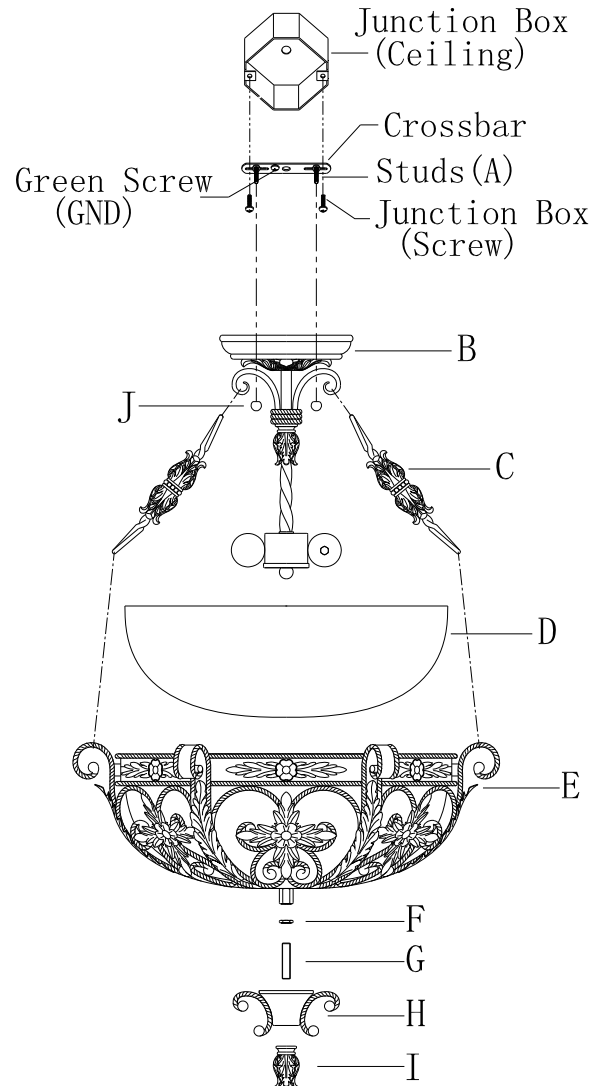


Fig.2

