

**WARNING! SHUT POWER OFF AT FUSE OR CIRCUIT BREAKER .**

**ASSEMBLING THE FIXTURE (Fig.2).**

1. Return the arms to suitable position, see figure.2.
2. Raise the pipe nipple with the hex nut(D) to the top coupling of the fixture body(E) and securely tighten. Attach the crown(C) over end pipe nipple of the fixture body (E), then attach the lamellar nut(B) and loop(A) to the crown(C) by turning it clockwise until tight.
3. Attach the small plastic shim to knob screw(F).
4. Place the glass plates (G) (smooth side will be on bottom) to the bottom plate of fixture body (E) aligning the holes, and lock securely with the knob screw(F).
5. Raise the big ring (I) to the arms until tangency, attach the knob screw(H) into the arm's hole and hook's (in the big ring) hole, then lock them securely with the ball nut (R).
6. Install the light bulbs in accordance with the fixture specifications  
**NOTE: DO NOT EXCEED THE SPECIFIED WATTAGE!**
7. Thread pipe (J) into center coupling of the fixture body (E) and tighten it with hex nut. Raise the iron shim(K), plastic shim (L), glass shade(S) to the protruding the pipe(J), attach the plastic shim (M) and iron shim(N) onto the glass and tighten firmly with the hex nut (O). Attach the cover (P) to the glass and tighten firmly with the finial (Q).

**HANGING THE FIXTURE (Fig.1 Please see the Page.2)**

**IMPORTANT: For a safe and secure installation, this fixture must be installed by means of support that is independent of the junction box.**

1. Shut off the power at the circuit breaker and remove old fixture from ceiling, including the old crossbar.
2. Provide a 1/4" IPS pipe screw with one end securely mounted to a beam or a structural member. The other end should protrude through the center of the junction box as shown. **The junction box is not included.**
3. Assemble the hex nuts, lock washer, hex coupling, pipe screw and ceiling loop(**product shall prevail**) to center 1/4"IPS support pipe and adjust overall length to allow the lock ring to hold the canopy flush to the ceiling. When the adjustments have been completed, secure the three (3) hex nuts, as shown.
4. Attach the chain to the fixture loop. Slip the lock ring and canopy over the upper end of the chain. Open the open link of the chain and lift the fixture to attach to the ceiling loop and close the open link.
5. Lace the fixture wires, ground wire and safety cable through the chain and loop, exiting through the side of the hex coupling.
6. **IMPORTANT: you must, run the safety cable through the two clamp bolts, then through the top of the junction box and secure to structural member. NOW, fasten the end of safety cable through the two clamp bolts (see fig.1), lock them securely with the four small hex nuts until tight.**

**CONNECTING THE WIRES (Fig.3)**

1. Take the black wire from the ceiling junction box and the smooth wire leg from the fixture and twist bare ends together. Twist wire connector onto end of wire until snug.
2. Repeat same process with white junction box wire and ribbed wire leg of fixture wire. **NOTE:** Twist wires together in the same direction you twist the wire connector onto wires.
3. If your junction box has grounding wire (green or bare copper), attach this wire and the bare copper wire from the fixture together as **step 1.**
4. Tuck these wire connections neatly into the ceiling junction box and then raise the canopy all the way to the ceiling. Raise the lock ring to the bottom of canopy, screw it with until tight.

**Your installation is now complete. Return power to the junction box and test the fixture.**

Fig.2

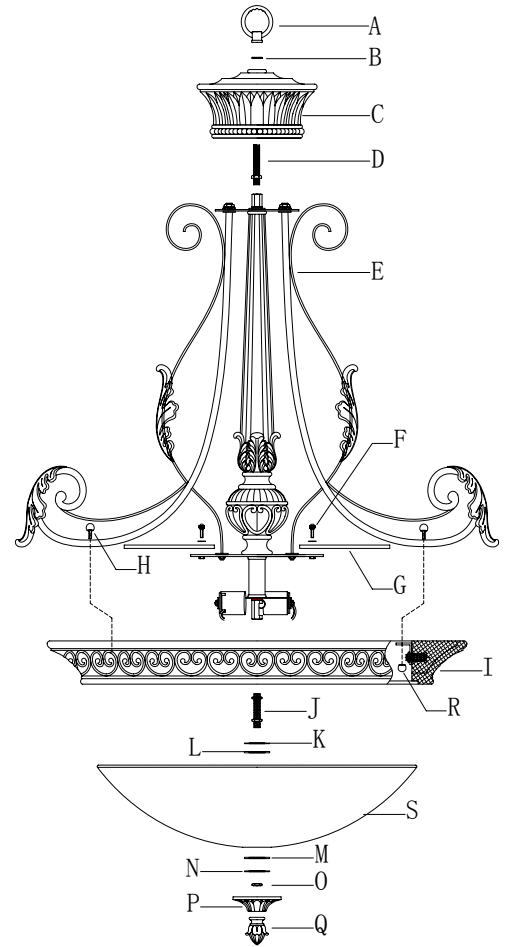
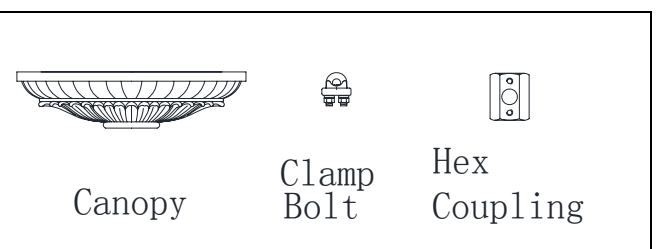
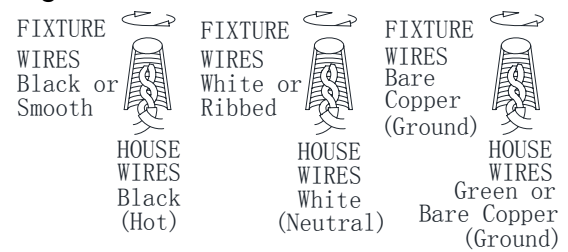


Fig.3



# ASSEMBLING & INSTALLATION INSTRUCTIONS FOR HEAVY MOUNTING FIXTURE

## Fig.1

