

# MULBERRY WS62524

WALL

PROJECT



WS62524-BK/LG  
Black/Light Guide



WS62524-BG/LG  
Brushed Gold/Light  
Guide

## SPECIFICATION DETAILS

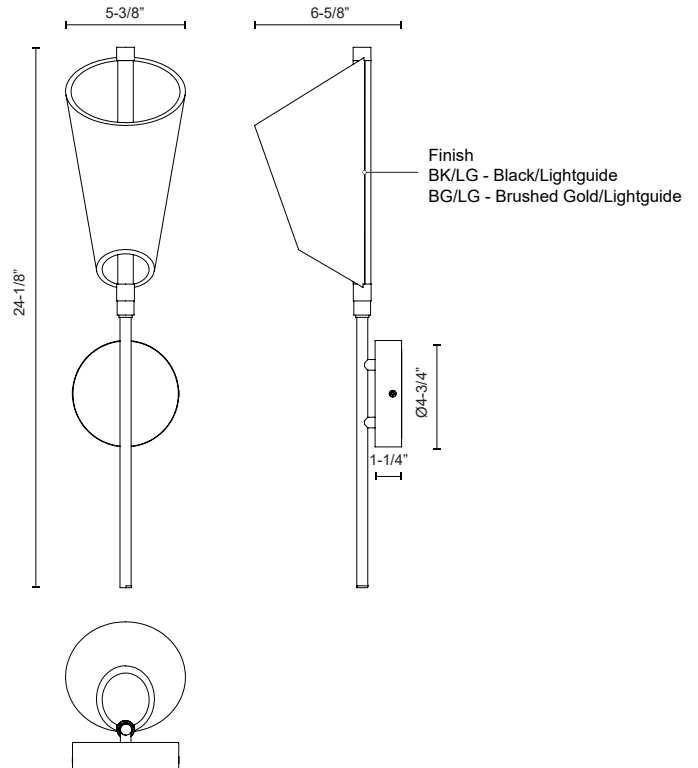
<b>Fixture Dimensions</b>	W5-3/8" x H24-1/8" x E6-5/8"
<b>Light Source</b>	LED with DC Driver
<b>Wattage</b>	17W
<b>Total Lumens</b>	1120lm
<b>Delivered Lumens</b>	BG/LG-654lm; BK/LG-700lm;
<b>Voltage</b>	120V
<b>Color Temperature</b>	3000K
<b>CRI (Ra)</b>	90CRI
<b>Optional Color Temps</b>	2700K - 5000K Available, Minimum Order Quantities Apply
<b>LED Rated Life</b>	50,000 hours
<b>Dimming</b>	100% - 10%, TRIAC or ELV Dimmer (Not Included)
<b>Diffuser Details</b>	Acrylic diffuser
<b>Shade Details</b>	Clear Acrylic Light Guide Shade
<b>Location</b>	Dry
<b>Mounting Style</b>	All Orientation; Wall;
<b>CEC Title 24 JA8</b>	Yes, JA8-2022
<b>Canopy Dimensions</b>	D4-3/4" x E1-1/4"

\* For custom options, consult factory for details.

\* For warranty information, please visit [www.kuzcolighting.com/warranty](http://www.kuzcolighting.com/warranty)

## DESCRIPTION

Classic shapes take new form in the stunning new Mulberry collection. Minimal, modern forged bodies and striking edge lit shades make up this one-of-a-kind collection. Each shade of the Mulberry is crafted with clear etched acrylic, creating the modern glow seen throughout the pieces of this collection. Available in both Brushed Gold or Matte Black accents.



# KUZCO

CANADA: 19054 28TH AVENUE - SURREY, BC V3Z 6M3

USA: 3035 E. LONE MOUNTAIN ROAD - LAS VEGAS, NV 89081

[WWW.KUZCOLIGHTING.COM](http://WWW.KUZCOLIGHTING.COM)

© 2022 KUZCO LIGHTING. ALL RIGHTS RESERVED.

## COMMENT

