

PD21703

Specification Sheet

Pendant



BK - Black



CH - Chrome



BN - Brushed Nickel

Product Descriptions

Clear glass cylindrical shade envelops tubular aluminum core. Brushed plated finishes or satin coating

Product Details

High system efficacy. Low total life cycle cost. ETL Listed.

5-years warranty.

Complete warranty terms located at: www.kuzcolighting.com/warranty

Utilizes our LED Driver Light Engine.

LED Driver within canopy.

Down light.

Max. cable length of 120".

Dimmable with ELV dimmer (not included)

Custom options available.

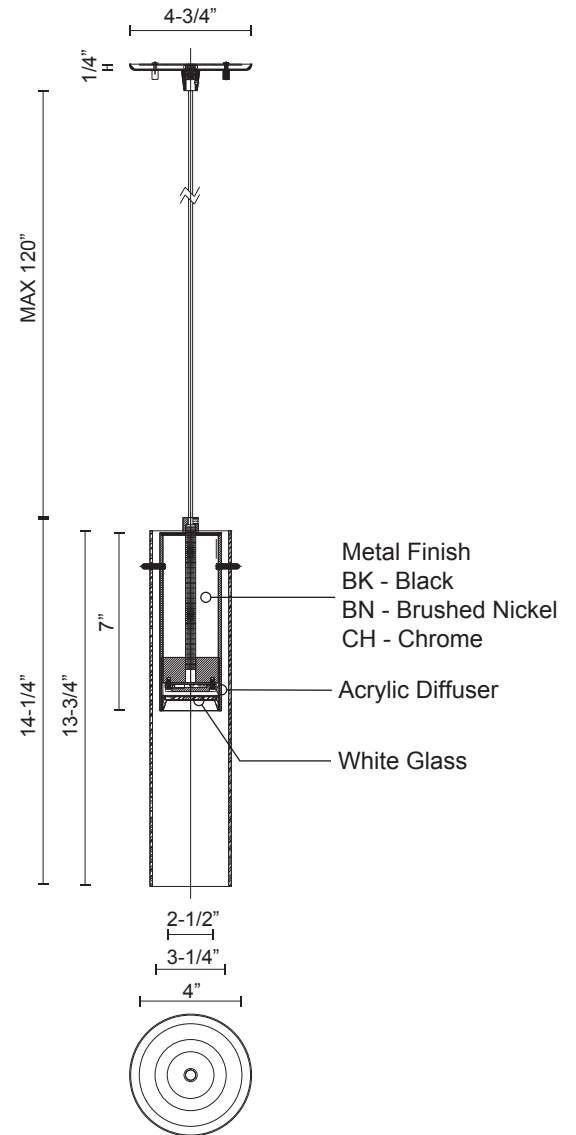
PROJECT

DATE

TYPE

Voltage	Watt	LED Lumens	Delivered Lumens	Finish(es)	Color Temp	3000K
120V	8W*	600lm*	450lm*	BK - Black	CRI(Ra)	>90
120V	8W*	600lm*	450lm*	BN - Brushed Nickel	Dimming	100%-10%
120V	8W*	600lm*	450lm*	CH - Chrome	Rated Life	50,000 hours

*Preliminary figures



Comments:

Canopy dimensions:
D: 4-3/4", H: 1/4"