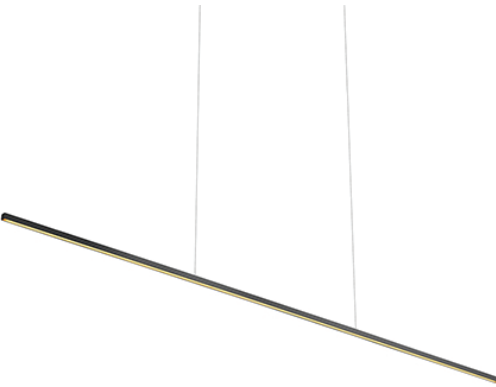


LP18260

Specification Sheet

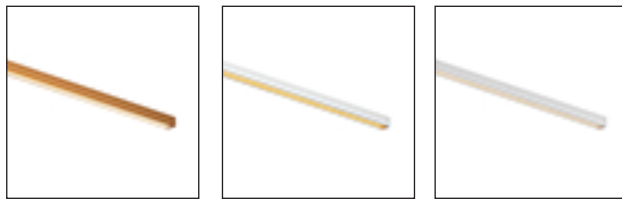
Linear Pendant



BK - Black

PROJECT					
DATE				TYPE	
Voltage	Watt	LED Lumens	Delivered Lumens	Finish(es)	
120V	40W	3990lm	1190lm*	BK - Black	Color Temp 3000K
120V	40W	3990lm	1530lm*	BN - Brushed Nickel	CRI(Ra) >90
120V	40W	3990lm	1330lm*	GD - Gold	Dimming 100%-10%
120V	40W	3990lm	1830lm*	WH - White	Rated Life 50,000 hours

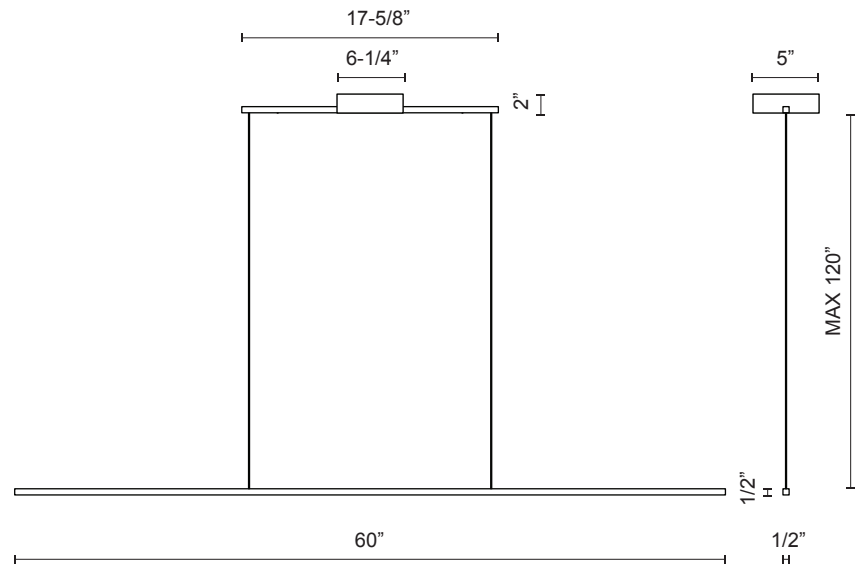
*Preliminary figures



GD - Gold

WH - White

BN - Brushed Nickel



Product Descriptions

Square profile linear aluminum with thin cables.
Inset opal polymeric diffuser.
Finely textured plate or powder-coat finish.

Product Details

High system efficacy. Low total life cycle cost. ETL Listed.
5-years warranty.
Complete warranty terms located at: www.kuzcolighting.com/warranty
Utilizes our LED Driver Light Engine.
LED Driver within canopy.
Down light distribution.
Max. cable length of 120".
Dimmable with ELV or TRIAC dimmer (not included)
Custom options available.

Canopy dimensions:
L: 6-1/4"; W: 5"; H: 2"

Comments: