

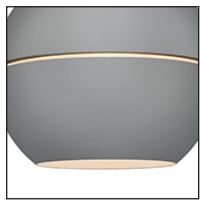
# 494024

Specification Sheet

## Pendant



BK - Black



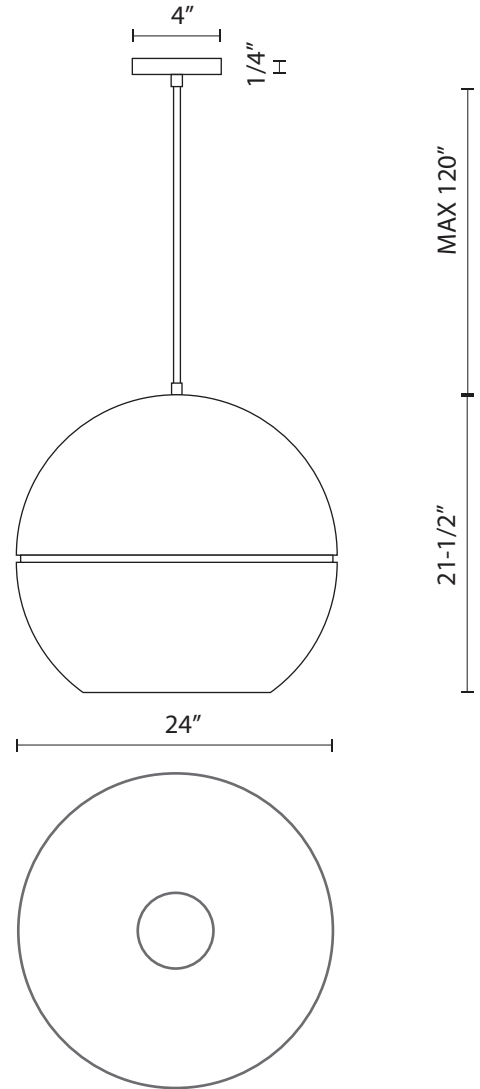
GY - Gray



WH - White

PROJECT					
DATE				TYPE	
<b>Voltage</b>	<b>Watt</b>	<b>LED Lumens</b>	<b>Delivered Lumens</b>	<b>Finish(es)</b>	<b>Color Temp</b>
120V	1 x 60W*	N/A	N/A	BK - Black	N/A
120V	1 x 60W*	N/A	N/A	WH - White	N/A
120V	1 x 60W*	N/A	N/A	GY - Gray	N/A
					<b>CRI(Ra)</b>
					N/A
					<b>Dimming</b>
					N/A
					<b>Rated Life</b>
					N/A

\*Preliminary figures



### Product Descriptions

Single lamp pendant with split spherical aluminum shade showcasing powder-coated finishes against a matte white interior. Exterior shade colors are gray, white or blue. Suspended by cloth cable to a maximum 120" length. Available in two sizes.

### Product Details

UL Listed.

5-years warranty.

Complete warranty terms located at:

[www.kuzcolighting.com/warranty](http://www.kuzcolighting.com/warranty)

Lamp type incandescent with E26 medium base bulb (bulb not included).

Canopy dimensions:  
D: 4"; H: 1/4"

Comments: