

### Features

- Single lever handle allows for both on/off activation and temperature setting.
- Includes Artifacts® single-function handshower and a 60-inch hose.
- KOHLER ceramic disc valves exceed industry longevity standards for a lifetime of durable performance.
- 6 gpm (gallons per minute) at 45 PSI.
- 1.75 gpm (gallons per minute) flow rate for handshower.
- Coordinates with Kelston faucets, accessories, and showering components to complete your bathroom.

### Material

- Premium metal construction.
- KOHLER finishes resist corrosion and tarnishing.

### Installation

- Floor-mount.
- Requires K-97339 mounting block.
- Compatibility with tub varies by application.

### Required Products/Accessories

K-97339 Multiproduct Mounting-block

### Included Components

Additional Components:

K-72776 Single-function Showerhead



### Codes/Standards

ASME A112.18.1/CSA B125.1

DOE - Energy Policy Act 1992

EPA WaterSense®




California Energy Commission (CEC)

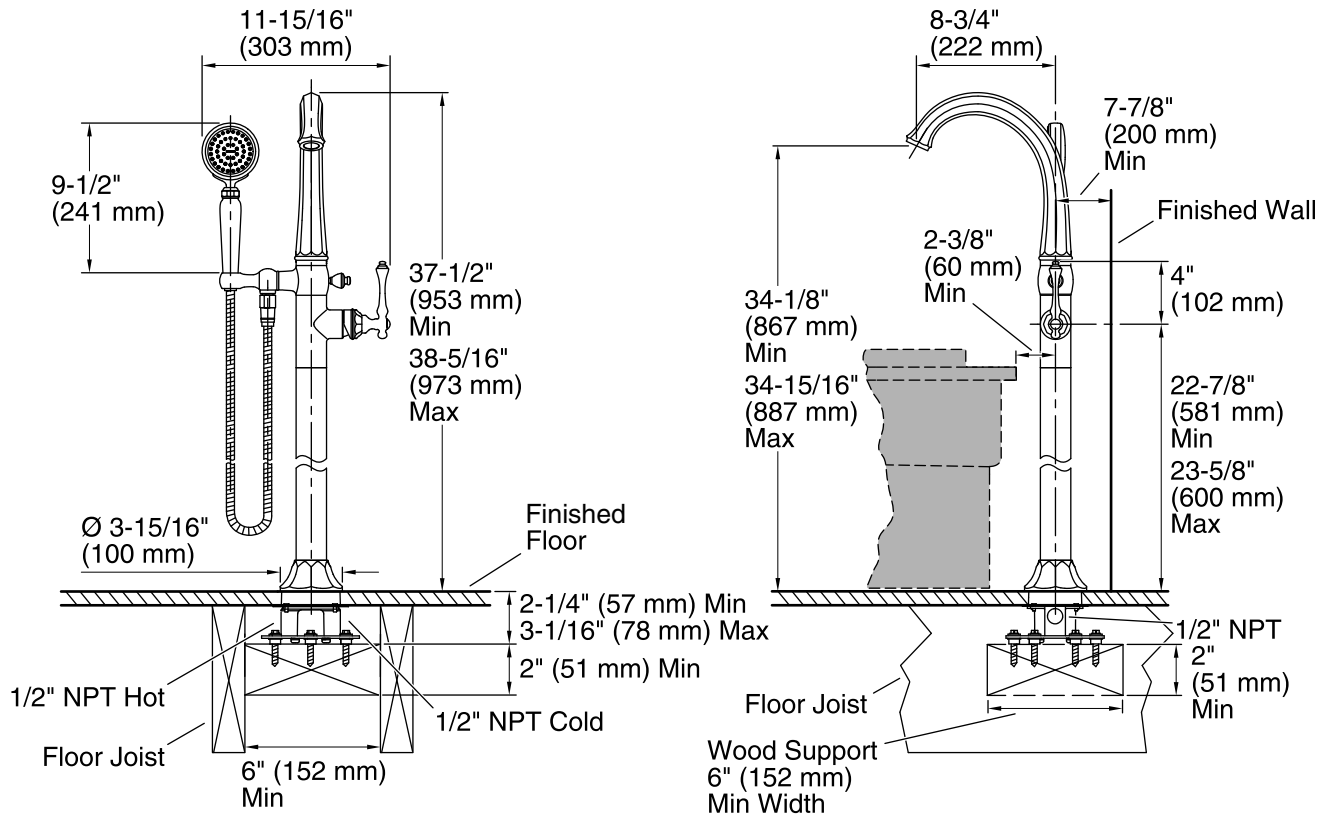
### KOHLER® Faucet Lifetime Limited Warranty

See website for detailed warranty information.

### Available Colors/Finishes

*Color tiles intended for reference only.*

Color	Code	Description
	CP	Polished Chrome
	BN	Vibrant® Brushed Nickel
	2BZ	Oil-Rubbed Bronze



### Technical Information

All product dimensions are nominal.

#### Faucet:

Flow rate: 6 gal/min (22.7 l/min)  
 Pressure: 45 psi (3.1 bar)  
 Valve body: Composite  
 Drain included: No

#### Spout:

Spout reach: 8-13/16" (224 mm)

#### Handshower:

Rated maximum flow: 1.75 gal/min (6.6 l/min)  
 Pressure: 80 psi (5.5 bar)

### Notes

Install this product according to the installation guide.

Adequate floor support is required. The wood support must be a minimum of 2" (51 mm) thick by 6" (152 mm) wide. 2x6 lumber is NOT adequate for this application.

Concrete can be used as the floor support. Requires 3/16" masonry drill bit and six 1/4" x 1-3/4" concrete screws, not included.