

Features

- Set includes: Cabinet, precut Silestone® quartz vanity top, sink, cabinet legs, cabinet hardware, mounting hardware for sink
- Vanity top has single faucet hole with pilot holes for optional 8" (203 mm) widespread faucet configuration
- Three-way adjustable slow-close door hinges for easy cabinet access
- Full-extension 18" (457 mm) depth drawers with soft-close undermount slides for smooth opening
- Solid wood drawers with dovetail joint construction
- Vanity top is covered under the Silestone® 25-Year Limited Warranty
- Silestone® quartz provides exceptional durability and stain resistance, making it easy to maintain
- Caxton® Rectangle undermount sink has a streamlined design that is easy to clean
- Customize your storage with optional in-door and in-drawer accessories and medicine cabinet surrounds and side kits (sold separately)
- Optional vanity top side and backsplashes available (sold separately)

Material

- Solid and composite wood
- Silestone® quartz vanity top
- Vitreous china sink
- Premium metal hardware for durability and reliability

Required Products/Accessories

- K-27933 Drawer appliance organizer
- K-27936 Protective floor liner for 48" cabinet
- K-28264 Silestone® quartz 49" backsplash
- K-33585 Drawer organizer set
- K-33586 Drawer organizer with lid
- K-33587 Divided drawer organizer
- K-33588 Makeup display tray and organizer
- K-5447 Bathroom Vanity Top - Back Splash
- K-5451 Bathroom Vanity Top - Side Splash
- K-99677-SH10 Adjustable shelf for 48" KOHLER Tailored® vanities
- K-99679-SH10 Roll-out drawer for 48" KOHLER Tailored® vanities
- K-99681 Electrical outlets for KOHLER Tailored® vanities
- K-99682 General storage package for KOHLER Tailored® vanities
- K-99683 Makeup storage package for KOHLER Tailored® vanities

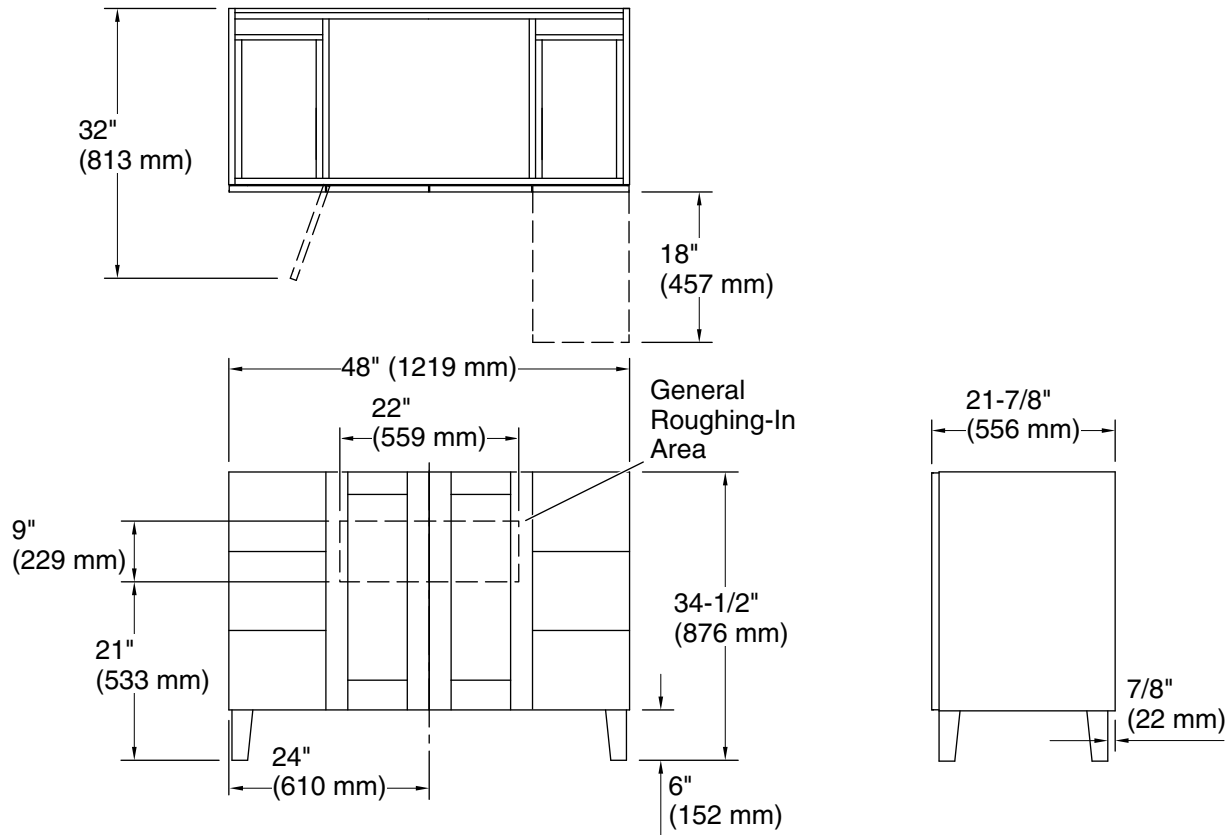


Codes/Standards

EPA TSCA Title VI/CARB P2

KOHLER® One-Year Limited Warranty

See website for detailed warranty information.



Technical Information

All product dimensions are nominal.