

Features

- For use with select KOHLER® sliding shower and bath doors with 3/8" (10 mm) glass thickness and space between panels of 1/2" (12mm) to 1-1/8" (29 mm)
- Bulb seals improve water containment between the door and wall
- Fin seals close the space between door panels, providing improved water containment
- Includes two field trimmable fin seals, 76" (1930 mm) long
- Includes two field trimmable bulb seals, 77-5/16" (1963.7 mm) long
- Can be used on shower doors up to 82" tall

Material

- PVC construction

Recommended Products/Accessories

K-23723 Faucet cleaner

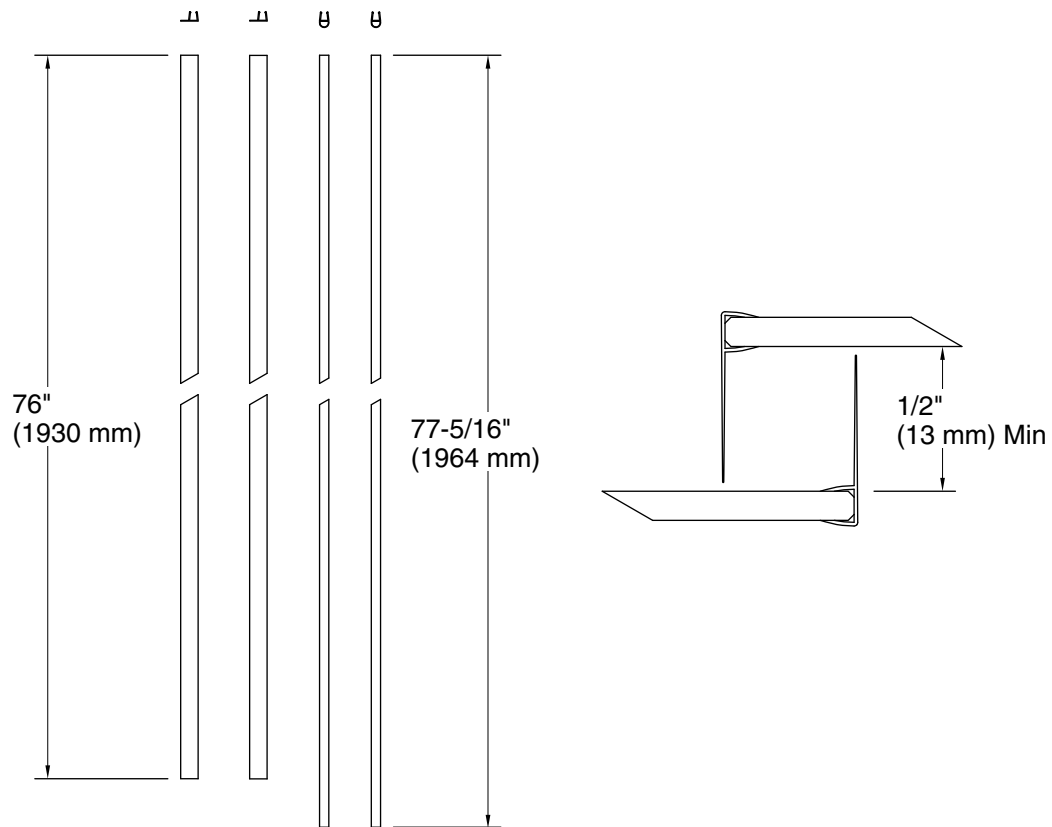


Codes/Standards

None Applicable

KOHLER® One-Year Limited Warranty

See website for detailed warranty information.



Technical Information

All product dimensions are nominal.

Material: Plastic