

Installation Instructions

Vibracoustic Bath







Product Serial Number:
Numéro desérie du produit:
Número deserie del producto: _____

Record your model number:
Noter le numéro de modèle:
Anoté su número de modelo: _____

Français, page 19
Español, página 37

KOHLER[®]

IMPORTANT INSTRUCTIONS

-  **WARNING:** When using electrical products, basic precautions should always be followed, including the following:
-  **DANGER:** Risk of electric shock. Connect only to a circuit protected by a Ground-Fault Circuit-Interrupter (GFCI)*.
-  **WARNING:** Risk of electric shock. A qualified electrician should route all electrical wiring.
-  **WARNING:** Risk of electric shock. Disconnect the power before servicing.
-  **WARNING:** Risk of electric shock. Do not operate electrical-powered auxiliary audio devices near water.
-  **WARNING:** Risk of injury or property damage. Read all instructions thoroughly before beginning installation.

NOTICE: Follow all plumbing, building, and electrical codes. In Canada, install this unit in accordance with the Canadian Electrical Code, Part 1.

NOTICE: Grounding is required. The unit should be installed and grounded by a qualified service representative.

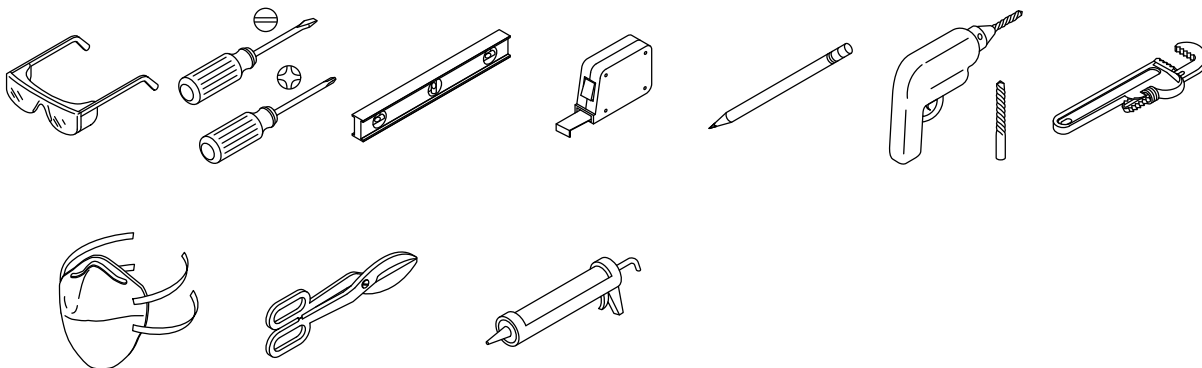
NOTICE: If the supply cord is damaged, it must be replaced by the manufacturer, its service agent, or similarly qualified agent in order to avoid a hazard.

NOTICE: Provide a minimum 6" (152 mm) of air space around the control amplifier to ensure adequate air flow.

Install to permit access for servicing.

*Outside North America, this may be known as a Residual Current Device (RCD).

Tools and Materials



Breathing Protection Tin Snips 100% Silicone Sealant

Plus:

- Woodworking Tools and Materials
- Drop Cloth

- Construction Adhesive (Optional)
- Cement* or Mortar (Optional)
- 2x4s
- Plastic Film (Optional)
- 1/8" (3 mm) Spacer

* Do not use gypsum cement.

Before You Begin

IMPORTANT! Due to BLUETOOTH® signal overlap, installations of multiple baths within 50 ft (15.2 m) of each other will require special order product. Contact your dealer, showroom, or sales representative for ordering assistance.

NOTICE: Provide adequate floor support. Note the **model number** on the back of the bath, then visit the product page at kohler.com for more information.

NOTICE: Do not support the load weight of the bath by the rim. Plan to shim under the bath as needed when leveling the bath.

NOTICE: Verify adequate support if installing a rim- or deck-mount faucet. Large faucets that may be inadvertently used as a means of support are not safe for this installation.

IMPORTANT! To ensure a successful installation, install the bath on a level floor.

Follow all state and local plumbing, building, and electrical codes.

Unpack and inspect the product for damage. Return the product to the carton until installation.

Read these instructions and determine the locations for all required components before beginning installation.

This bath is designed for drop-in, alcove, under-mount, or island installation.

Determine the location of the control amplifier if it will be installed remotely. The control amplifier includes a power supply with a 36" (914 mm) cord and a 25' (7.6 m) cable.

A qualified electrician should install a 120 V, 15 A GFCI or RCD electrical outlet within the stud framing, and within 24" (610 mm) of the control amplifier. The user interface, transducers, and (if equipped) chromatherapy are powered through connections with the control amplifier.

Use conduit to route electrical power wires from the circuit breaker.

This bath will not easily fit through doorways. Carefully plan how to move the bath into the installation area.

Install the bath to an adequately supported, level finished floor.

Provide properly dimensioned framing.

The bath basin requires no additional support when the subfloor is level and square with the stud framing.

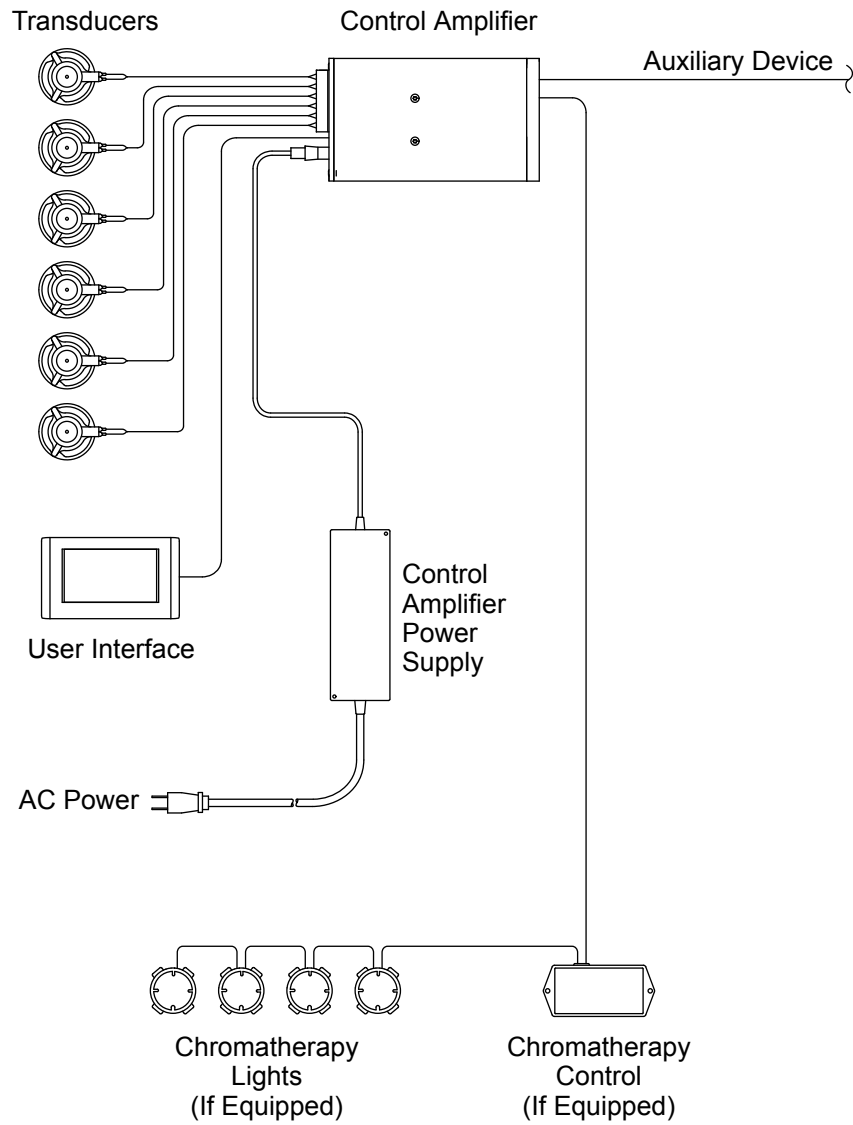
Plan for adequate mounting and connection space for the faucet.

This bath conforms to CSA B45.5/IAPMO Z124.

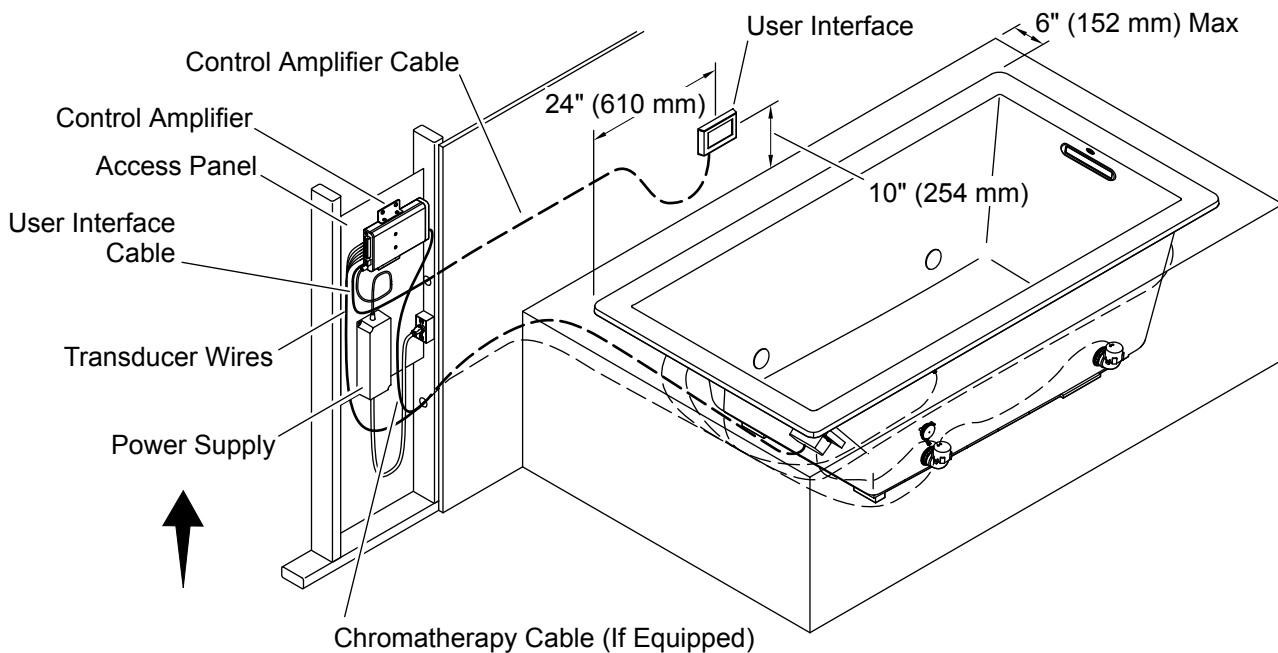
The BLUETOOTH® word mark and logos are registered trademarks owned by Bluetooth SIG, Inc. and any use of such marks by Kohler Co. is under license. Other trademarks and trade names are those of their respective owners.

Components

Vibracoustic and Chromotherapy (if equipped)



Installation Sequence



IMPORTANT! Several included bath components will be powered by the control amplifier with 25' (7.6 m) cables. Plan the location of the control amplifier so the cables will reach without being under tension.

- For best results, follow the installation sequence below. Detailed instructions are found on the following pages of this guide.
- The illustration above shows a typical installation with the preferred user interface and control amplifier locations. Depending upon your bath, the installation will be similar.

Recommended Installation Sequence

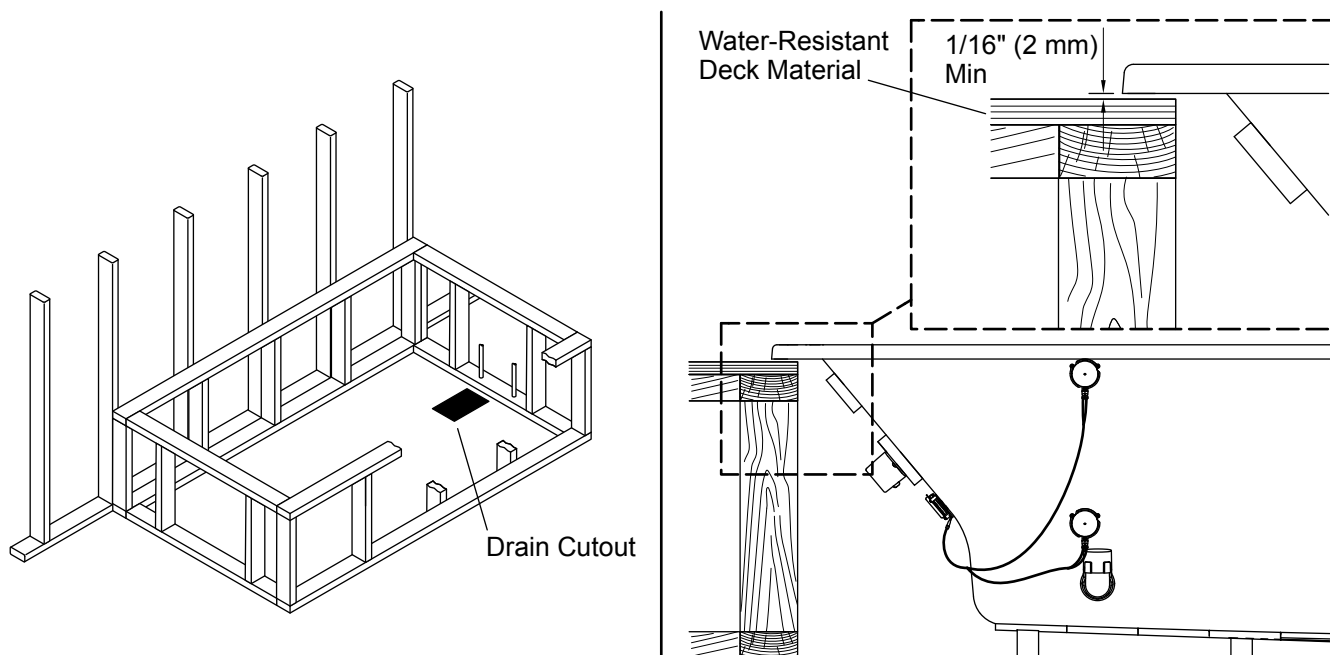
- Determine the locations for the bath components. Refer to the illustration for preferred locations.
- Determine the location for the access panel required for servicing the control amplifier.

NOTICE: Use wood studs to construct the bath frame. Metal framing may adversely affect vibracoustic quality.

- Construct the framing for your bath.
- Install the rough deck material.
- Route the plumbing supply and drain lines for the bath.
- Install the bath and drain.
- Route the transducer wires to the control amplifier location.
- Install an electrical outlet within 24" (610 mm) of the control amplifier location.
- If equipped with chromatherapy, route the chromatherapy cable from the bath to the control amplifier location.
- Route the user interface cable from the control amplifier area to the user interface location.
- Install the control amplifier.
- Connect the transducer, user interface, optional auxiliary device (if used), and chromatherapy cable (if equipped) to the control amplifier.

- Finish the walls and deck, and install the required access panel for the control amplifier.
- Connect the user interface cable to the user interface, and install the user interface.
- Plug the control amplifier into the electrical outlet.
- Test the functionality of all bath components. Refer to the “Homeowners Guide” for operation.

1. Prepare the Site



NOTICE: Measure your product for site preparation. Note the **model number** on the back of the bath, then visit the product page at kohler.com for more information.

Flooring

- Provide adequate support for the bath. Install additional support as needed.
- Verify that the subfloor is level. Adjust for level as needed.

Framing

⚠ CAUTION: Risk of product damage. Do not support the bath by the rim. The bath must be supported by the feet or base. Plan to shim under the bath as needed when leveling the bath.

IMPORTANT! Several included bath components will be powered by the control amplifier with 25' (7.6 m) cables. Plan the location of the control amplifier so the cables will reach without being under tension.

NOTICE: Use wood studs to construct the bath frame. Metal framing may adversely affect vibracoustic quality.

NOTICE: If installing the control amplifier between studs, the stud spacing should be 16" (406 mm).

NOTE: The framing illustrated is less the finished wall and deck materials. Allow for the finished wall and deck material thicknesses when constructing the framing.

- Construct the framing, taking into account the thickness of the finished wall and deck materials.
- For drop-in installations,** provide a 1/16" (2 mm) to 1/8" (3 mm) gap between the framing and the underside of the bath rim to ensure that the bath is not supported by the rim.
- For under-mount installations,** provide a 1/16" (2 mm) to 1/8" (3 mm) gap between the framing and the top surface of the bath rim to ensure that the weight of the framing does not rest on the bath rim.
- Construct stud framing or a pocket for the control amplifier.
- Provide a means to route the user interface cable through the wall to the control amplifier.

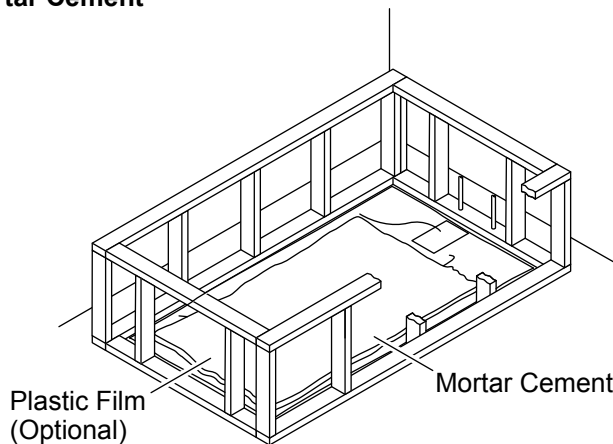
Plumbing

NOTE: For through-the-floor drain installation, cut a drain hole in the floor to accommodate the drain connections.

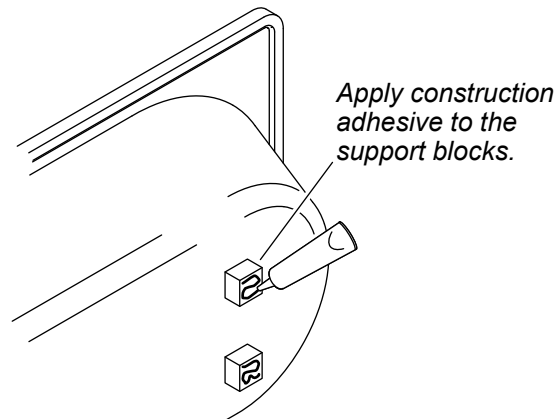
- Install the rough drain and water supply piping.
- Cap the water supplies and check for leaks.
- Install the drain to the bath following the drain manufacturer's instructions. **Do not connect the trapway at this time.**

2. Install the Bath

Mortar Cement



Construction Adhesive



IMPORTANT! Fit maximum 1/8" (3 mm) thick spacers under the bath rim to ensure that the rim does not contact the deck.

- Verify that the subfloor is level before proceeding. Use shims as needed.
- Install the bath using one of the following two methods.

Cement or Mortar Bed Method

NOTICE: Do not use gypsum cement or drywall compound, as these materials will not provide a durable bond.

- If desired, lay a plastic film on wood subfloors to prevent water absorption.
- Spread a 1" (25 mm) to 2" (51 mm) layer of cement or mortar on the subfloor.
- With help, lift the bath into position. Use caution to avoid damaging components mounted to the bath.
- Fit maximum 1/8" (3 mm) thick spacers under the bath rim.
- Verify that the bath is level. Reposition or shim as needed.
- Place a clean drop cloth in the bath basin to protect the surface.
- Apply weight to the bath basin until the mortar sets.

Construction Adhesive Method

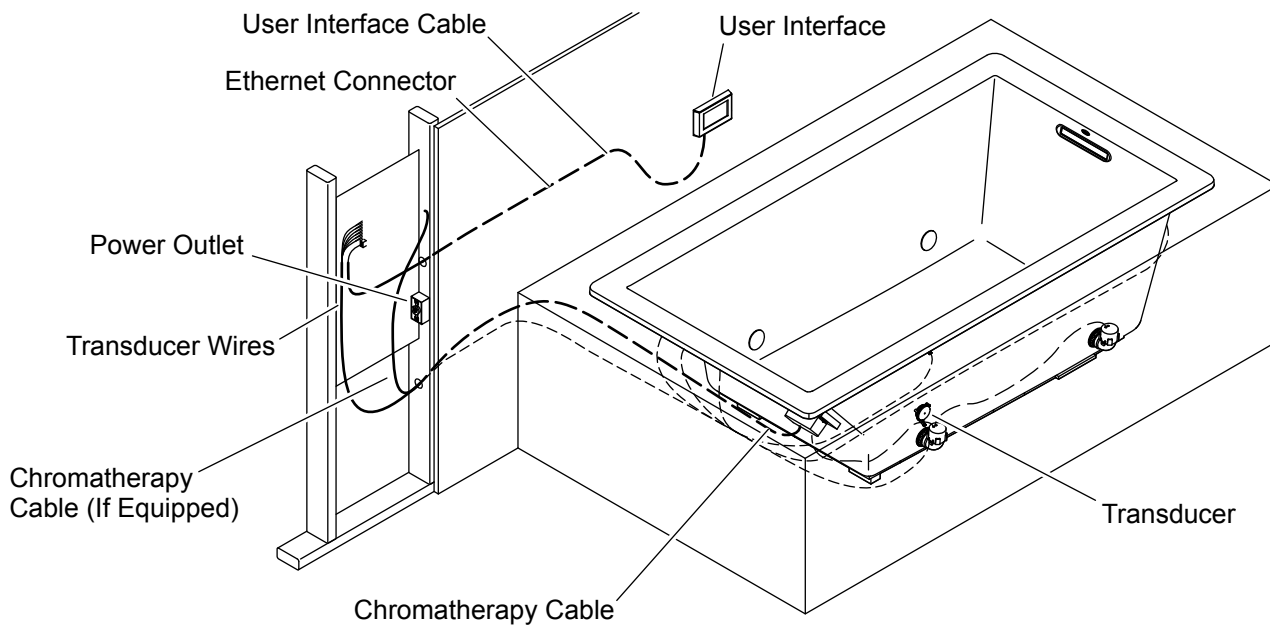
- Apply a generous amount of construction adhesive to the bottom of the support blocks or molded supports.
- With help, lift the bath into position. Use caution to avoid damaging components mounted to the bath.
- Fit maximum 1/8" (3 mm) thick spacers under the bath rim.
- Verify that the bath is level and resting on all supports. Reposition or shim as needed.
- Place a clean drop cloth in the bath basin to protect the surface.
- Apply weight to the bath basin until the adhesive sets.

3. Install the Plumbing

 **CAUTION: Risk of property damage.** Leaky drain connections will damage property. Make sure that a watertight seal exists on all drain connections.

- Make the final drain connections.
- Install the faucet valving following the manufacturer's instructions. **Do not install the faucet trim at this time.**
- Open the hot and cold water supplies.
- Check all connections for leaks.
- Fill the bath to the overflow and check the drain connections for leaks.

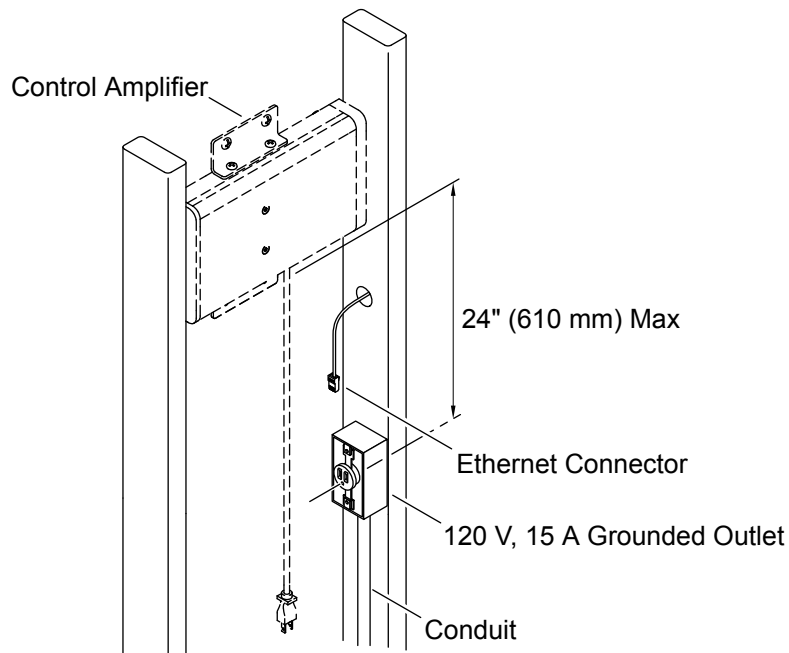
4. Route the Cables



IMPORTANT! Several included bath components will be powered by the control amplifier with 25' (7.6 m) cables. Plan the location of the control amplifier so the cables will reach without being under tension.

- Carefully cut the cable tie securing the coiled transducer wires to the bath.
- Route the transducer wires through the framing to the control amplifier location, drilling 1" (52 mm) holes where needed.
- If equipped with chromatherapy, route the chromatherapy cable from the bath to the control amplifier location. Follow the same route as the transducer wires.
- Route the user interface cable through the framing from the user interface location to the control amplifier location. Make sure that the larger Ethernet-style connector is at the control amplifier end. Include a drip loop.
- If used, route an auxiliary-in cable (not included) to the control amplifier location.

5. Install an Electrical Outlet

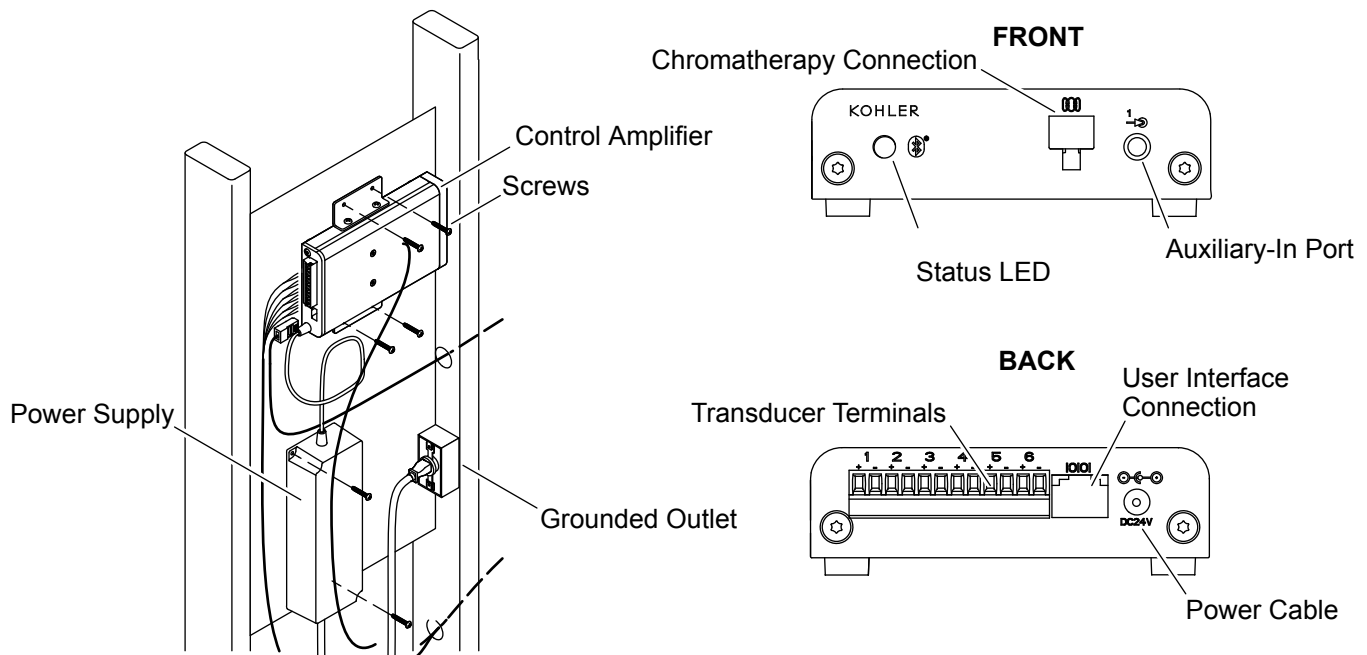


⚠ WARNING: Risk of electric shock. Disconnect the power before performing the following procedures.

NOTICE: A qualified electrician must install a dedicated GFCI- or RCD-protected, 120 V, 15 A grounded outlet.

- Install a 120 V, 15 A grounded outlet within the wall framing and within 24" (610 mm) of the control amplifier location. Route the wires through conduit for this outlet installation.

6. Install the Control Amplifier



⚠ WARNING: Risk of electric shock. Connect the control amplifier to a properly grounded, grounding-type receptacle protected by a Ground-Fault Circuit-Interrupter (GFCI) or Residual Current Device (RCD). Do not remove the grounding pin from the plug or use a grounding adapter.

IMPORTANT! Keep insulating materials away from the control amplifier. Provide an unobstructed air space around the control amplifier to permit cooling.

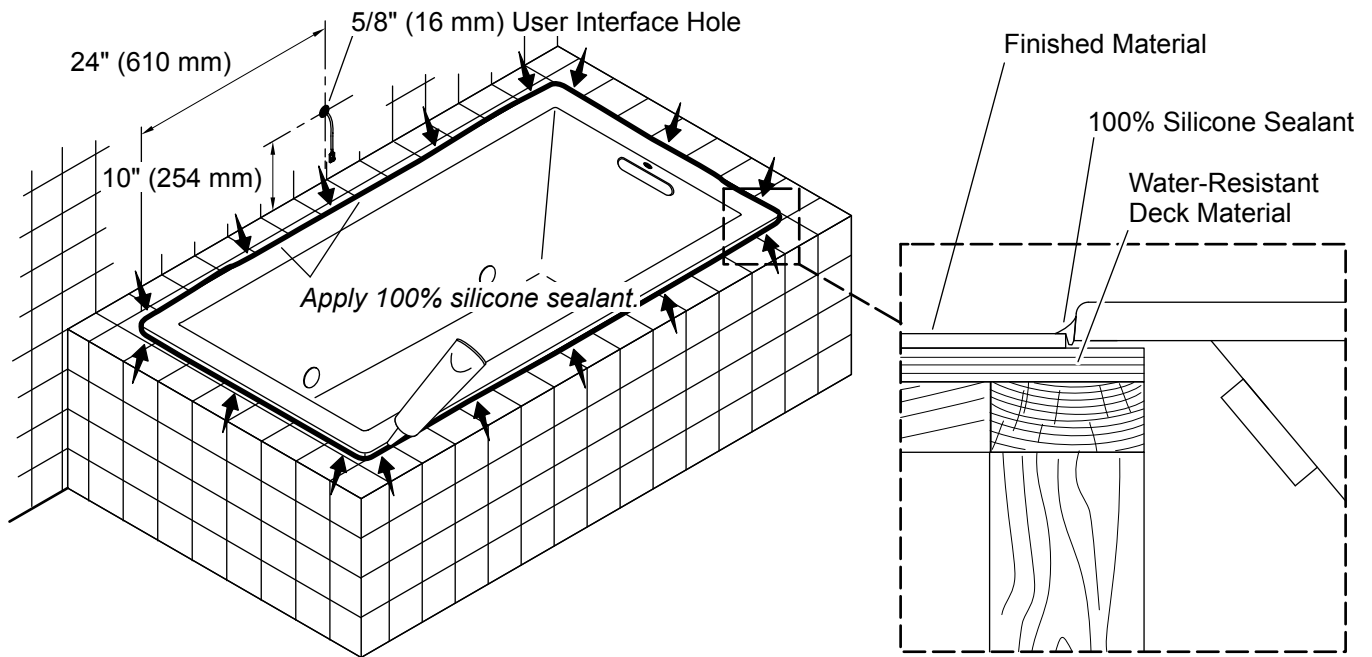
NOTE: The control amplifier can be positioned vertically or horizontally.

- Install the mounting brackets to the control amplifier.
- Position the control amplifier flush or recessed from the front of the studs.
- Using the wood screws provided, secure the control amplifier to the framing. Use the anchors provided if securing to a wall material other than wood.

NOTE: The transducer terminals and wires are numbered to identify the correct connections. When required, the control amplifier can be removed to ease wire connection.

- Securely** attach the transducer wires to the transducer terminals on the control amplifier. The white with black wires are the positive (+) leads, and the solid white wires are the negative (-) leads.
- If equipped with chromatherapy, connect the chromatherapy connector to the chromatherapy terminal on the control amplifier.
- Connect the clear connector on the user interface cable to the control amplifier user interface connection.
- If used, connect the auxiliary-in connector to the auxiliary-in connection on the control amplifier.
- Plug the power supply into the electrical outlet. Make sure that the other end of the power supply is connected to the power-in connection on the control amplifier.

7. Complete the Finished Walls

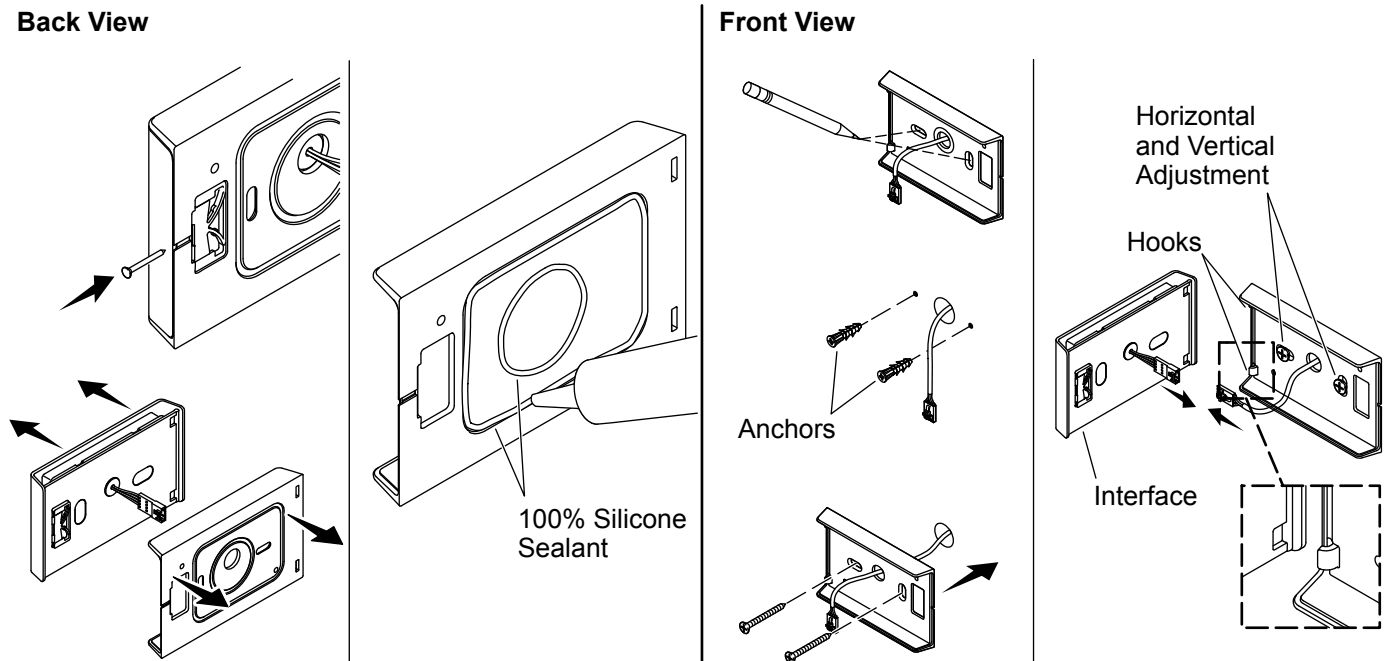


- Cover the framing with water-resistant wall material.
- Provide suitable access** to the control amplifier.
- Install the finished wall and deck materials.
- Drill a 5/8" (16 mm) hole through the wall material where the user interface will be installed. Refer to the "Installation Sequence" section for the recommended location.
- Route the user interface cable through the hole in the wall material, and tape or otherwise secure the cable so it will not fall between the walls.

IMPORTANT! Kohler Co. strongly recommends the use of 100% silicone sealant as instructed. Other sealants with high filler contents should be avoided, as they may shrink, separate, and peel over time.

- Seal the joints between the bath rim and the finished deck with a 1/8" (3 mm) bead of 100% silicone sealant.
- Install the faucet trim.

8. Install the User Interface



IMPORTANT! Do not allow the cable routed through the wall hole to fall into the wall.

- Push a thin nail into the groove in the back side of the user interface to separate the interface from the mounting plate.
- Position the mounting plate over the cable and against the finished wall so the hooks are to the left.
- Level the mounting plate and mark the screw hole locations on the wall.
- Remove the mounting plate and drill 1/4" holes at the marked locations.
- Install the provided wall anchors into the holes.
- Apply a bead of 100% silicone sealant to the two grooves on the back of the mounting plate.
- Position the mounting plate over the cable with the hooks to the left, and secure to the wall using the two screws provided.
- Check for level. If needed, loosen the screws and adjust the mounting plate.
- Connect the cable to the user interface.
- Engage the edge of the user interface with the two mounting plate hooks, then firmly swing the user interface against the mounting plate until they snap together.
- Refer to the User Guide included with the user interface to set up, program, and verify proper function of the product.

Troubleshooting

This troubleshooting guide is for general aid only. A Kohler Co. Authorized Service Representative or qualified electrician should correct any electrical problems. For warranty service, call 1-800-4KOHLEER from within the USA and Canada, or 001-800-456-4537 from within Mexico.

Control Amplifier Troubleshooting

Symptoms	Probable Cause	Recommended Action
1. One or more transducers do not produce sound.	<ul style="list-style-type: none"> A. Transducer wire is not properly connected. B. Damaged transducer wires. C. Transducer is missing, loose, or not attached. 	<ul style="list-style-type: none"> A. Make sure that the wires are properly connected to the control amplifier. The white with black wires are the positive (+) leads, and the solid white wires are the negative (-) leads. B. The bath has six transducers with wires that are permanently attached. Inspect the six transducers for frayed, cut, or loose wires. Contact the Customer Care Center for assistance. C. If any of the six transducers are missing, loose, or not attached to the bath, contact the Customer Care Center for assistance.
2. The music stops even though a song has been properly selected, and the status indicator light is blinking yellow.	<ul style="list-style-type: none"> A. Thermal shut down. B. Control amplifier error. 	<ul style="list-style-type: none"> A. Shut down the system for 1 hour to allow the unit to cool. Make sure the area where the unit is installed does not exceed 104°F (40°C). Restart the system. If the status indicator is not solid or blinking blue, refer to the control amplifier Installation Guide. B. Contact the Customer Care Center if the control amplifier LED status indicator is blinking yellow after the system has been restarted.
3. The status LED is not illuminated.	<ul style="list-style-type: none"> A. Power supply is not plugged into the outlet. B. Power supply connection to the control amplifier may be loose or disconnected. C. The outlet is not powered. D. Circuit breaker has tripped. 	<ul style="list-style-type: none"> A. Plug the power supply into the outlet. B. Check the power supply connection to the control amplifier and reconnect if needed. C. Make sure that there is power to the electrical outlet. D. Reset the circuit breaker.
4. No sound plays through the transducers.	<ul style="list-style-type: none"> A. The song is paused. B. Auxiliary-In or BLUETOOTH® source is not connected. C. Vibracoustic experience has not been selected at the User Interface. D. The control amplifier has been muted. E. The volume is too low. 	<ul style="list-style-type: none"> A. Make sure that a song is playing. If the song is paused, press the resume feature to continue playback. B. Make sure that a song is playing from the auxiliary-in or BLUETOOTH® source. C. Make sure that the vibracoustic experience has been selected. D. Go into the intensity screen on the user interface and unmute the control amplifier. E. Make sure the volume is set high enough on the user interface and the auxiliary device.

Symptoms	Probable Cause	Recommended Action
5. The control amplifier is not connecting to a BLUETOOTH® device.	<p>A. The BLUETOOTH® device is not within range.</p> <p>B. The device is not paired with the control amplifier.</p>	<p>A. Move the device closer to the control amplifier. Under normal conditions, the maximum range is 30' (9.14 m).</p> <p>B. Pair the device with the control amplifier following the pairing instructions for the device.</p>
6. The status LED is blue, but the audio signal is intermittent.	<p>A. The BLUETOOTH® device is not within range.</p>	<p>A. Move the device closer to the control amplifier. Under normal conditions, the maximum range is 30' (9.14 m).</p>

(If Equipped) Chromatherapy Troubleshooting







Symptoms	Probable Cause	Recommended Action
1. Chromatherapy lights do not work.	<p>A. Power to the control amplifier is OFF.</p> <p>B. Control amplifier must be reset.</p> <p>C. Control amplifier does not work.</p> <p>D. Chromatherapy or user interface cable connections are loose or damaged.</p> <p>E. User interface does not work properly.</p> <p>F. Chromatherapy feature has not been selected on the user interface.</p> <p>G. Chromatherapy control does not work.</p>	<p>A. Reset the circuit breaker to the control amplifier, then check the electrical power supply and connections.</p> <p>B. Unplug the amplifier power supply from the electrical outlet. Wait 30 seconds, then plug in the power supply and restart.</p> <p>C. Replace the amplifier.</p> <p>D. Inspect the cables for loose connections or damage. Replace the cables as needed.</p> <p>E. Verify that the user interface cable is securely connected to the user interface and the user interface connection on the amplifier. If the connections are good, replace the user interface.</p> <p>F. Select the chromatherapy feature on the user interface.</p> <p>G. Replace the chromatherapy control.</p>
2. Chromatherapy lights do not cycle through all colors.	<p>A. Control amplifier must be reset.</p> <p>B. Chromatherapy or user interface cable connections are loose or damaged.</p> <p>C. User interface does not work properly.</p> <p>D. If none of the recommended actions correct the problem, contact Kohler Co.</p>	<p>A. Unplug the amplifier power supply from the electrical outlet. Wait 30 seconds, then plug in the power supply and restart.</p> <p>B. Inspect the cables for loose connections or damage. Replace the cables as needed.</p> <p>C. Cycle through the chromatherapy light functions. If the lights do not cycle through all colors and the blue icon on the user interface is not lit, replace the user interface.</p> <p>D. Contact the Customer Care Center for assistance.</p>

Symptoms	Probable Cause	Recommended Action
<p>3. Chromatherapy lights remain locked on one color.</p>	<p>A. Control amplifier must be reset.</p> <p>B. User interface does not work properly.</p> <p>C. Chromatherapy or user interface cable connections are loose or damaged.</p> <p>D. If none of the recommended actions correct the problem, contact Kohler Co.</p>	<p>A. Unplug the amplifier power supply from the electrical outlet. Wait 30 seconds, then plug in the power supply and restart.</p> <p>B. Cycle through the chromatherapy light functions. If the lights do not cycle through all colors and the blue icon on the user interface is not lit, replace the user interface.</p> <p>C. Inspect the cables for loose connections or damage. Replace the cables as needed.</p> <p>D. Contact the Customer Care Center for assistance.</p>

Instructions d'installation

Baignoire vibracoustique

INSTRUCTIONS IMPORTANTES

-  **AVERTISSEMENT : Lors de l'utilisation de produits électriques, toujours observer les précautions de base, notamment :**
-  **DANGER : Risque d'électrocution.** Raccorder uniquement à un circuit protégé par un disjoncteur de fuite de terre (GFCI)*.
-  **AVERTISSEMENT : Risque d'électrocution.** Tout le câblage électrique doit être réalisé par un électricien qualifié.
-  **AVERTISSEMENT : Risque d'électrocution.** Déconnecter l'alimentation électrique avant d'effectuer un entretien.
-  **AVERTISSEMENT : Risque d'électrocution.** Ne pas faire fonctionner les appareils audio auxiliaires sous tension électrique à proximité de l'eau.
-  **AVERTISSEMENT : Risque de blessures ou d'endommagement du matériel.** Veuillez lire toutes les instructions avant de commencer l'installation.

AVIS : Respecter tous les codes d'électricité, de plomberie et du bâtiment. Au Canada, installer cet ensemble conformément au Code canadien de l'électricité, Partie 1.

AVIS : Une mise à la terre est requise. L'appareil doit être installé et mis à la terre par un représentant technique qualifié.

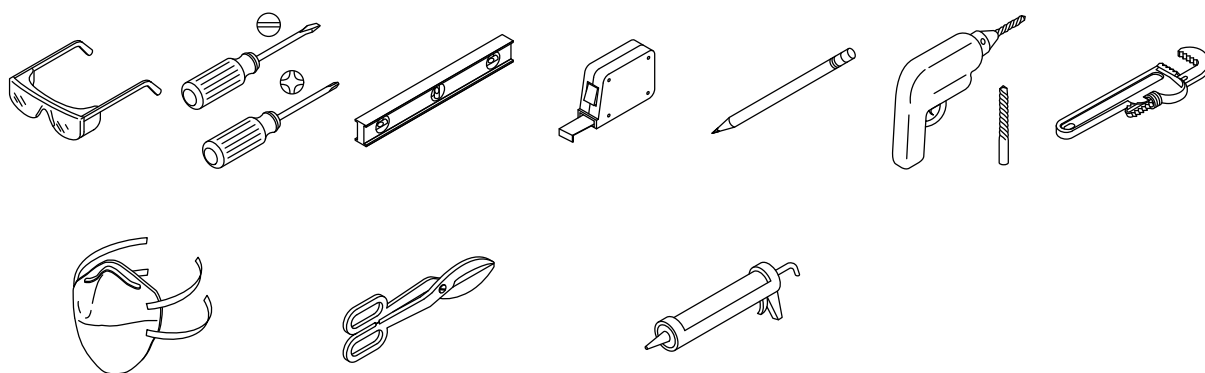
AVIS : Si le cordon d'alimentation est endommagé, il doit être remplacé par le fabricant, son représentant technique ou un personnel ayant les mêmes qualifications, afin d'éviter tout danger.

AVIS : Fournir un minimum de 6 po (152 mm) d'espace d'air autour de l'amplificateur de commande pour assurer une circulation d'air appropriée.

Installer de façon à permettre un accès pour l'entretien.

*Hors de l'Amérique du Nord, ce dispositif peut être connu sous le nom de dispositif à courant résiduel (RCD).

Outils et matériel



Protection respiratoire Cisailles de ferblantier Mastic à la silicone à 100%

Plus :

- Outils de menuiserie et matériels
- Toile de protection
- Adhésif de construction (optionnel)
- Ciment* ou mortier (optionnel)
- Planches 2x4
- Film en plastique (optionnel)
- Espaceur 1/8 po (3 mm)

* Ne pas utiliser de plâtre dur.

Avant de commencer

IMPORTANT! En raison d'un chevauchement de signaux BLUETOOTH®, les installations de plusieurs baignoires dans un rayon de 50 pi (15,2 m) de l'une l'autre exigent un produit de commande spéciale. S'adresser au concessionnaire, ou au représentant de vente ou de la salle d'exposition pour obtenir de l'aide pour la commande.

AVIS : Fournir un support de plancher adéquat. Noter le **numéro de modèle** se trouvant sur l'arrière de la baignoire, puis visiter la page du produit sur le site kohler.com pour obtenir de l'information supplémentaire.

AVIS : Ne pas supporter le poids de charge de la baignoire par le rebord. Prévoir de placer des cales sous la baignoire au besoin lors du nivellement de la baignoire.

AVIS : Vérifier que le support est adéquat si un robinet est monté sur le rebord ou sur le tablier. Les robinets de grande taille pourraient être utilisés par inadvertance comme moyen de support et ils ne sont pas sécuritaires pour cette installation.

IMPORTANT! Pour assurer une installation réussie, installer la baignoire sur un plancher de niveau.

Respecter tous les codes électriques de plomberie et de bâtiment de l'État et locaux.

Déballer et inspecter le produit pour détecter tout dommage. Remettre ce produit dans le carton jusqu'à l'installation.

Lire ces instructions et déterminer les emplacements pour tous les composants requis avant de commencer l'installation.

Cette baignoire est conçue pour une installation à encastrer par le dessus, en alcôve, à encastrer par le dessous ou sur podium.

Déterminer l'emplacement de l'amplificateur de commande s'il doit être installé à distance. L'amplificateur de commande comprend une alimentation électrique avec un cordon de 36 po (914 mm) et un câble de 25 pi (7,6 m).

Un électricien qualifié doit installer une prise électrique pour disjoncteur de fuite de terre (GFCI) ou dispositif de protection à courant résiduel (RCD) de 120 V, 15 A dans le pan à colombages comprise dans une distance de 24 po (610 mm) de l'amplificateur de commande. L'interface utilisateur, les transducteurs et la chromathérapie (si la baignoire en est équipée) sont alimentés par des connexions avec l'amplificateur de commande.

Utiliser un conduit pour acheminer les fils électriques en provenance du disjoncteur.

Cette baignoire ne passe pas facilement par les entrées de portes. Planifier avec attention le déplacement de la baignoire dans l'emplacement d'installation.

Cette baignoire doit avoir le support nécessaire sur un sol de niveau.

Fournir une charpente de dimensions appropriées.

La cuve de la baignoire n'exige aucun support supplémentaire lorsque le sous-plancher est de niveau et perpendiculaire au pan à colombages.

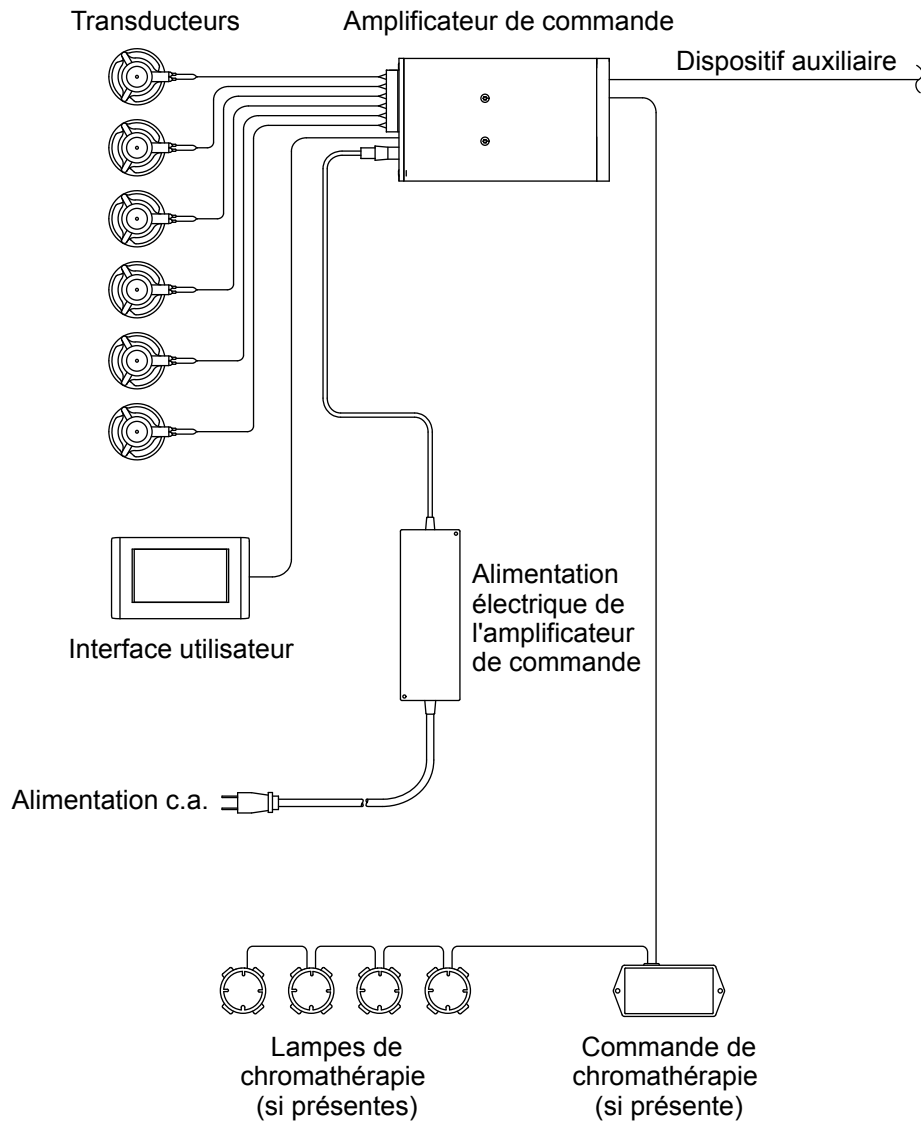
Prévoir l'espace de montage et de connexion adéquats pour le robinet.

Cette baignoire est conforme à la norme CSA B45.5/IAPMO Z124.

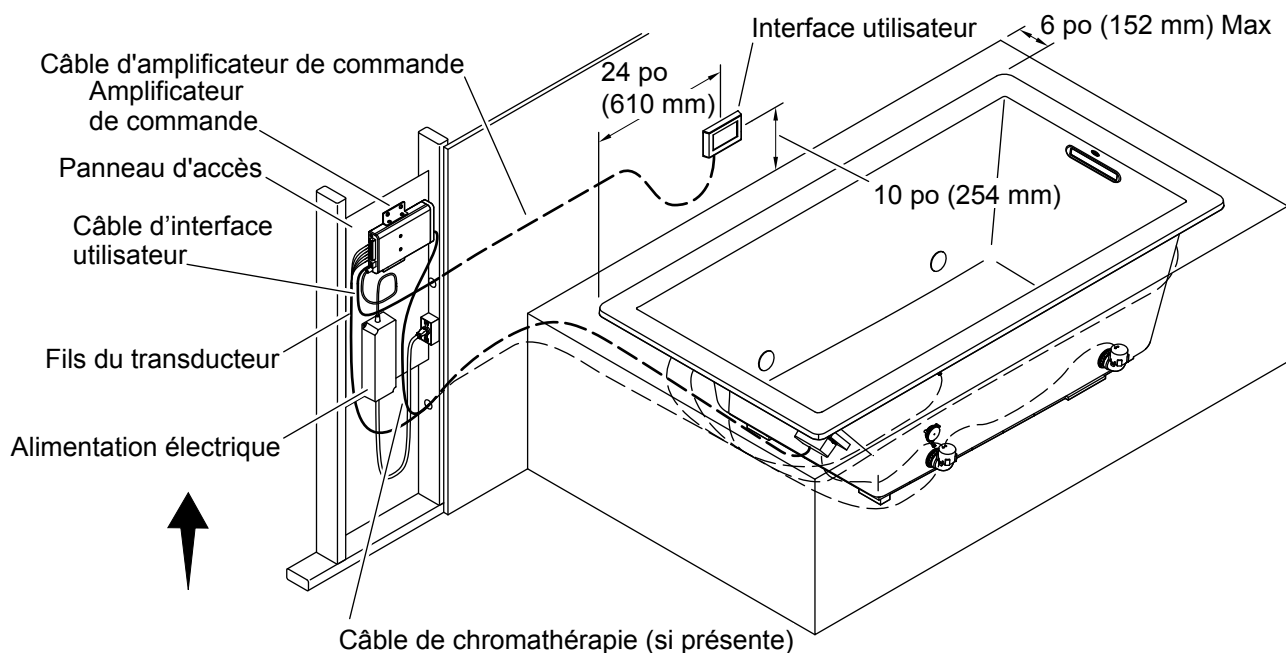
La marque et les logos BLUETOOTH® sont des marques de commerce déposées appartenant à Bluetooth SIG, Inc. et toute utilisation de telles marques par Kohler Co. est sous licence. D'autres marques et noms de commerce appartiennent à leurs propriétaires respectifs.

Composants

Vibracoustique et chromathérapie (si présentes)



Séquence d'installation



IMPORTANT! Plusieurs des composants de baignoire inclus sont alimentés par l'amplificateur de commande par l'intermédiaire de câbles de 25 po (7,6 m). Planifier l'emplacement de l'amplificateur de commande de manière à ce que les câbles puissent être branchés sans être sous tension.

- Pour obtenir les meilleurs résultats possibles, suivre la séquence d'installation ci-dessous. Des instructions détaillées sont fournies sur les pages suivantes de ce guide.
- L'illustration ci-dessus indique une installation typique avec les emplacements préférés pour l'interface utilisateur et l'amplificateur de commande. L'installation sera similaire, selon la baignoire en question.

Séquence d'installation recommandée

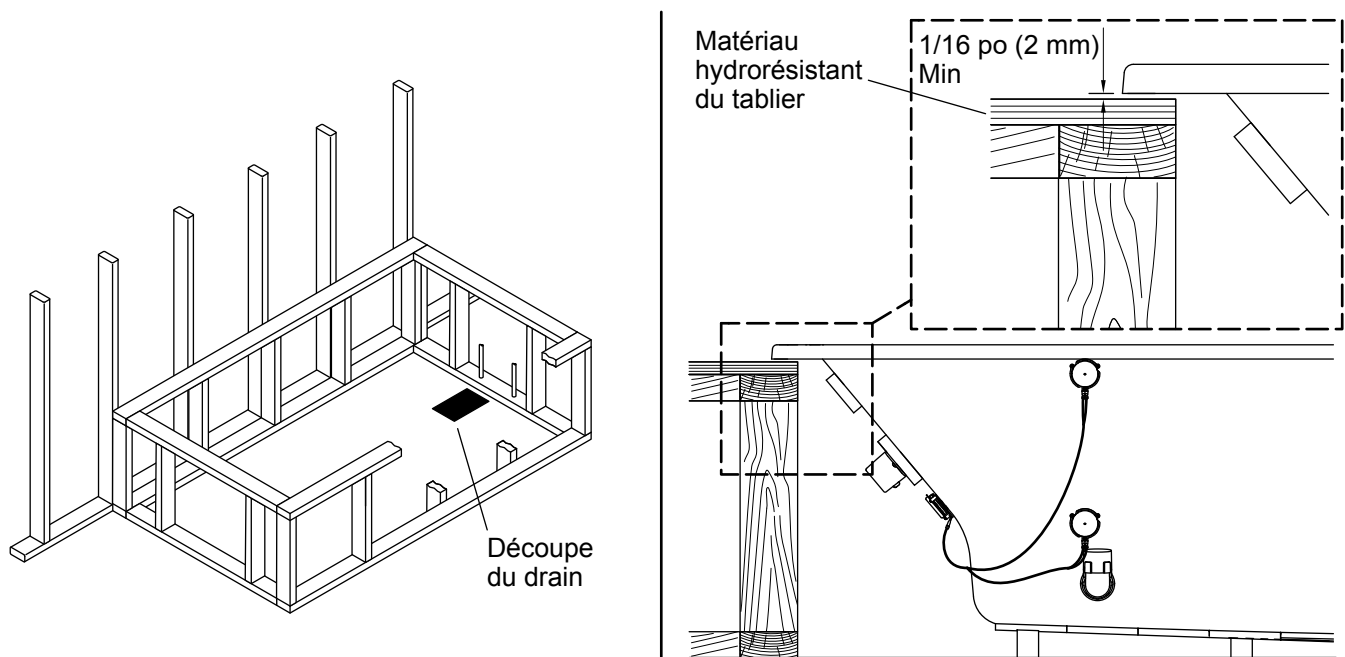
- Déterminer les emplacements pour les composants de la baignoire. Se référer à l'illustration pour les emplacements préférés.
- Déterminer l'emplacement des panneaux d'accès requis pour l'entretien de l'amplificateur de commande.

AVIS : Utiliser des goujons en bois pour construire le cadrage de la baignoire. Une structure en métal pourrait avoir un effet négatif sur la qualité vibracoustique.

- Construire le cadrage pour l'installation en question.
- Installer le matériau du tablier brut.
- Acheminer les tuyaux d'arrivée et d'évacuation de plomberie pour la baignoire.
- Installer la baignoire et le drain.
- Acheminer les fils du transducteur vers l'emplacement de l'amplificateur de commande.
- Installer une prise électrique comprise dans un rayon de 24 po (610 mm) de l'emplacement de l'amplificateur de commande.
- Si la baignoire est équipée de la chromathérapie, acheminer le câble de chromathérapie entre la baignoire et l'emplacement de l'amplificateur de commande.

- Acheminer le câble d'interface utilisateur de la zone de l'amplificateur de commande vers l'emplacement de l'interface utilisateur.
- Installer l'amplificateur de commande.
- Connecter le transducteur, l'interface utilisateur, le dispositif auxiliaire optionnel (si utilisé) et le câble de chromathérapie (si la baignoire en est équipée) à l'amplificateur de commande.
- Finir les murs et le tablier et installer le panneau d'accès requis pour l'amplificateur de commande.
- Brancher le câble d'interface utilisateur sur l'interface utilisateur et installer l'interface utilisateur.
- Brancher l'amplificateur de commande sur la prise électrique.
- Tester la fonctionnalité des composants de la baignoire. Se référer au « Guide du propriétaire » pour le fonctionnement.

1. Préparer le site



AVIS : Mesurer le produit pour la préparation du site. Noter le **numéro de modèle** se trouvant sur l'arrière de la baignoire, puis visiter la page du produit sur le site kohler.com pour obtenir de l'information supplémentaire.

Plancher

- Fournir un support adéquat pour la baignoire. Installer un support supplémentaire selon les besoins.
- Vérifier que le sous-plancher est nivelé. Ajuster le niveau selon les besoins.

Charpente

⚠ ATTENTION : Risque d'endommagement du produit. Ne pas soutenir la baignoire par le rebord. La baignoire doit être soutenue par les pieds ou la base. Prévoir de placer des cales sous la baignoire au besoin lors du nivellement de la baignoire.

IMPORTANT! Plusieurs des composants de baignoire inclus sont alimentés par l'amplificateur de commande par l'intermédiaire de câbles de 25 po (7,6 m). Planifier l'emplacement de l'amplificateur de commande de manière à ce que les câbles puissent être branchés sans être sous tension.

AVIS : Utiliser des goujons en bois pour construire le cadrage de la baignoire. Une structure en métal pourrait avoir un effet négatif sur la qualité vibracoustique.

AVIS : Si l'amplificateur de commande est installé entre des goujons, l'espacement de ces derniers doit être égal à 16 po (406 mm).

REMARQUE : La charpente illustrée ne comprend aucun matériau de mur fini et du tablier. Prévoir les épaisseurs du matériau des mur finis et du tablier lors de la construction de la charpente.

- Construire la charpente, en tenant compte de l'épaisseur des matériaux des mur finis et du tablier.
- Pour les installations à encastrer par le dessus,** fournir un espace de 1/16 po (2 mm) à 1/8 po (3 mm) entre la charpente et le dessous du rebord de la baignoire afin d'assurer que celle-ci n'est pas supportée par le rebord.
- Pour les installations à encastrer par le dessous,** fournir un espace de 1/16 po (2 mm) à 1/8 po (3 mm) entre la charpente et la surface supérieure du rebord de la baignoire afin d'assurer que le poids de la charpente ne repose pas sur le rebord de la baignoire.

- Construire un pan à colombages ou une poche pour l'amplificateur de commande.
- Fournir un moyen d'acheminer le câble de l'interface utilisateur à travers le mur jusqu'à l'amplificateur de commande.

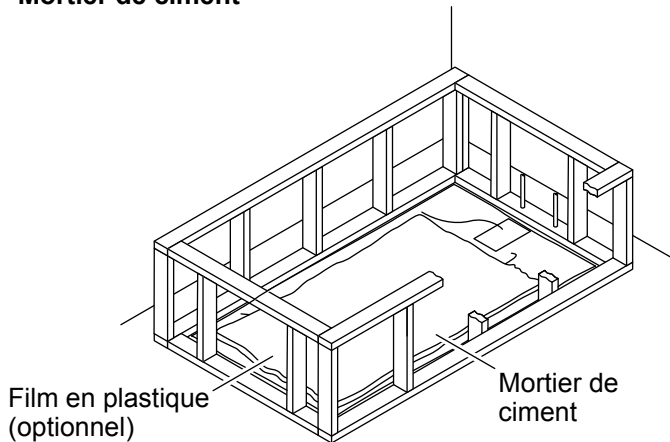
Plomberie

REMARQUE : Pour une installation de drain à travers le plancher, découper un trou d'écoulement dans le plancher pour adapter les raccords du drain.

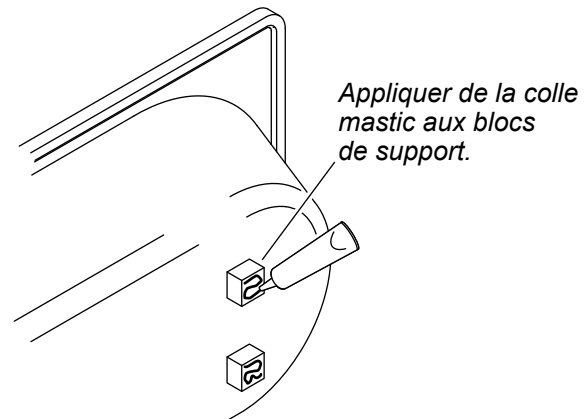
- Installer la plomberie brute d'évacuation et d'alimentation en eau.
- Boucher les alimentations en eau et s'assurer de l'absence de fuites.
- Installer le drain sur la baignoire selon les instructions du fabricant du drain. **Ne pas connecter le siphon pour l'instant.**

2. Installer la baignoire

Mortier de ciment



Colle mastic



IMPORTANT! Adapter des espaceurs de 1/8 po (3 mm) maximum sous le rebord de la baignoire de manière à ce que le rebord n'entre pas en contact avec la plateforme.

- Vérifier que le sous-plancher est de niveau avant de continuer. Utiliser des cales au besoin.
- Installer la baignoire en utilisant l'une des deux méthodes suivantes.

Méthode avec lit de ciment ou de mortier


AVIS : Ne pas utiliser de plâtre dur ou de mélange pour cloison sèche, car ces matériaux ne fournissent pas une adhésion durable.

- Si souhaité, poser un film en plastique sur les sous-planchers en bois afin d'empêcher l'absorption d'eau.
- Étaler une couche de ciment ou de mortier entre 1 po (25 mm) et 2 po (51 mm) sur le sous-plancher.
- Avec de l'aide, lever la baignoire pour la positionner. Procéder avec précaution afin d'éviter tout endommagement des composants montés sur la baignoire.
- Adapter des espaceurs de 1/8 po (3 mm) maximum sous le rebord de la baignoire.
- Vérifier que la baignoire est de niveau. Repositionner ou caler selon les besoins.
- Placer une toile de protection propre au fond de la baignoire pour protéger la surface de celle-ci.
- Appliquer du poids sur la cuve de la baignoire jusqu'à ce que le mortier durcisse.

Méthode avec de colle mastic

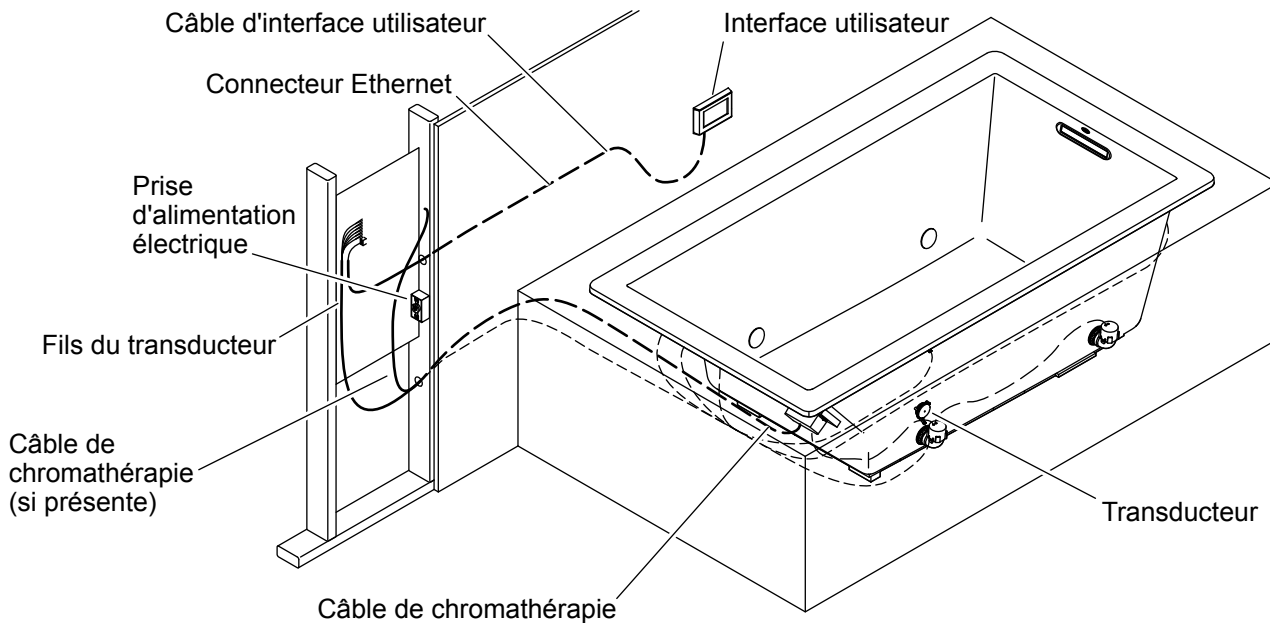
- Appliquer une quantité suffisante de colle mastic sur la base des blocs de support ou des supports moulés.
- Avec de l'aide, lever la baignoire pour la positionner. Procéder avec précaution afin d'éviter tout endommagement des composants montés sur la baignoire.
- Adapter des espaceurs de 1/8 po (3 mm) maximum sous le rebord de la baignoire.
- Vérifier que la baignoire est de niveau et repose sur tous les supports. Repositionner ou caler selon les besoins.
- Placer une toile de protection propre au fond de la baignoire pour protéger la surface de celle-ci.
- Appliquer du poids sur la cuve de la baignoire jusqu'à ce que la colle mastic durcisse.

3. Installer la plomberie

 **ATTENTION : Risque de dommages matériels.** Des raccords de drain qui fuient créent des dommages matériels. S'assurer qu'un joint étanche est présent sur tous les raccords du drain.

- Effectuer les connexions finales du drain.
- Installer la vanne du robinet en suivant les instructions du fabricant. **Ne pas installer la garniture du robinet pour l'instant.**
- Ouvrir les alimentations en eau chaude et eau froide.
- Inspecter tous les raccords pour y rechercher des fuites éventuelles.
- Remplir la baignoire jusqu'au trop-plein et inspecter les connexions du drain pour y rechercher des fuites.

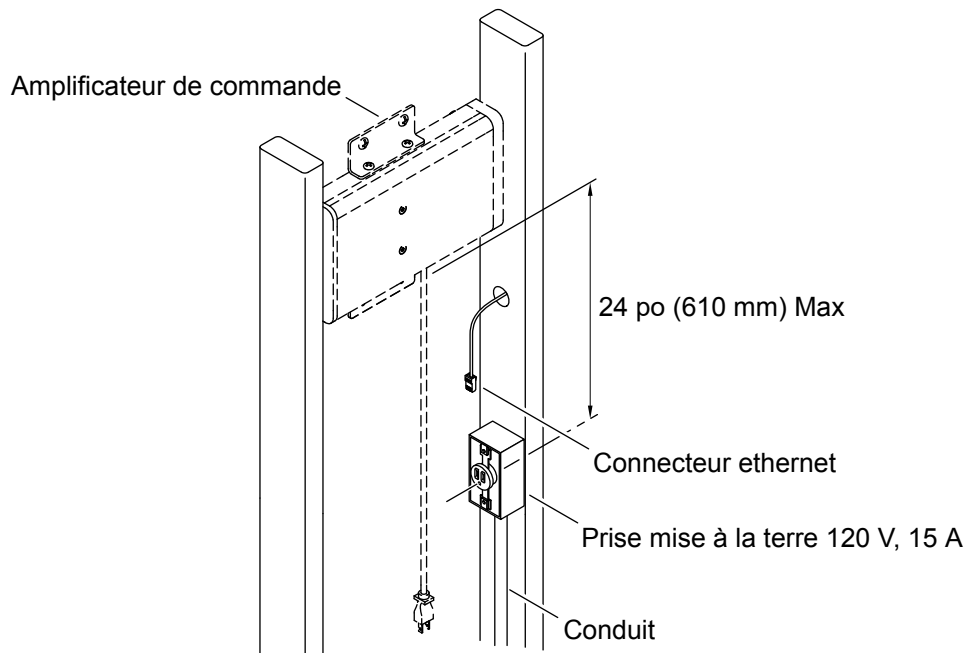
4. Acheminement des câbles



IMPORTANT! Plusieurs des composants de baignoire inclus sont alimentés par l'amplificateur de commande par l'intermédiaire de câbles de 25 po (7,6 m). Planifier l'emplacement de l'amplificateur de commande de manière à ce que les câbles puissent être branchés sans être sous tension.

- Couper avec précaution l'attache qui sécurise les fils spiralés du transducteur sur la baignoire.
- Acheminer les fils du transducteur à travers la charpente vers l'emplacement de l'amplificateur de commande, en perçant des trous de 1 po (52 mm) aux emplacements nécessaires.
- Si la baignoire est munie de l'option de chromathérapie, acheminer le câble entre la baignoire et l'emplacement planifié pour l'amplificateur de commande. Acheminer de la même manière que les câbles du transducteur.
- Acheminer le câble d'interface utilisateur à travers la charpente entre l'emplacement d'interface utilisateur prévu et l'emplacement de l'amplificateur de commande. Vérifier que le connecteur de type Ethernet plus grand se trouve du côté de l'amplificateur de commande. Inclure une boucle d'égouttement.
- Si nécessaire, acheminer un câble d'entrée auxiliaire (non inclus) jusqu'à l'emplacement de l'amplificateur de commande.

5. Installer une prise de courant

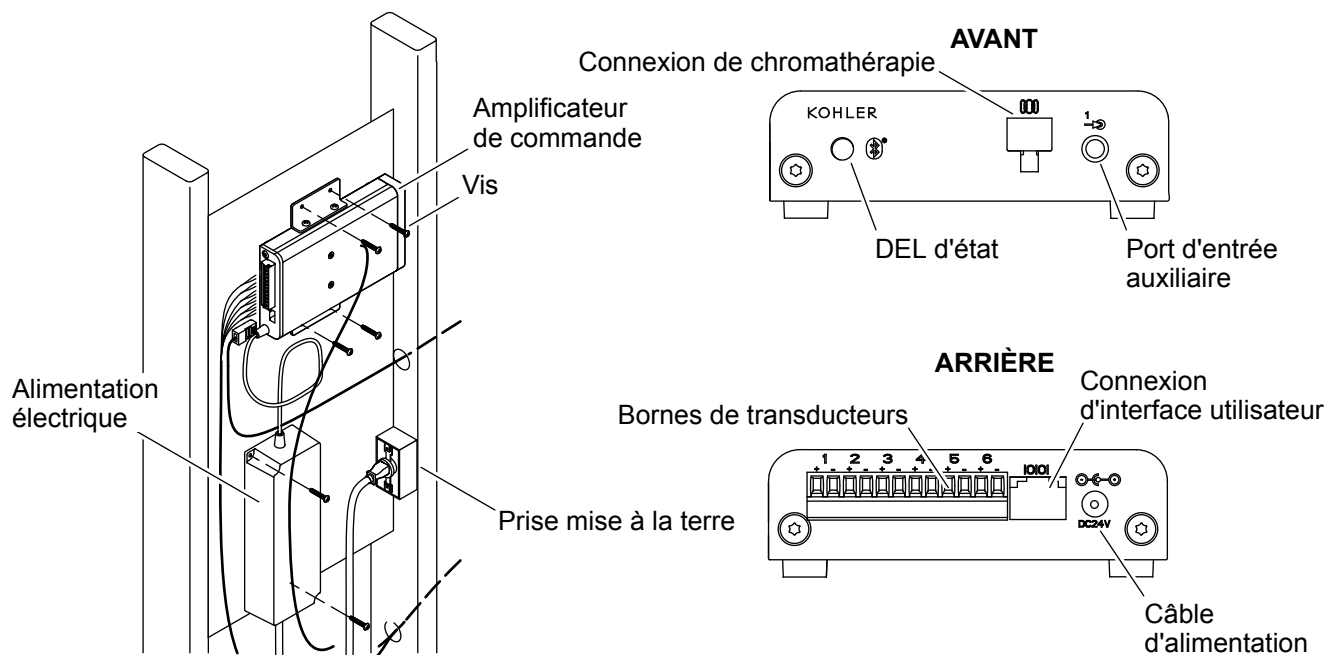


AVERTISSEMENT : Risque d'électrocution. Débrancher l'alimentation électrique avant d'effectuer les procédures suivantes.

AVIS : Un électricien qualifié doit installer une prise mise à la terre dédiée de 120 V et 15 A protégée par un disjoncteur de fuite de terre (GFCI) ou un dispositif de protection à courant résiduel (RCD).

- Installer une prise mise à la terre de 120 V et 15 A dans l'ossature murale et dans un rayon de 24 po (610 mm) de l'emplacement de l'amplificateur de commande. Acheminer les câbles à travers le conduit pour l'installation de cette prise.

6. Installer l'amplificateur de commande



⚠ AVERTISSEMENT : Risque d'électrocution. Brancher l'amplificateur de commande sur un réceptacle correctement mis à la terre prévu à cet effet et protégé par un disjoncteur de fuite de terre (GFCI) ou un dispositif de protection à courant résiduel (RCD). Ne pas retirer la cosse de mise à la terre de la prise ni utiliser d'adaptateur de mise à la terre.

IMPORTANT! Maintenir le matériel isolant à distance de l'amplificateur de commande. Assurer un espace d'air sans obstruction autour de l'amplificateur de commande pour permettre le refroidissement.

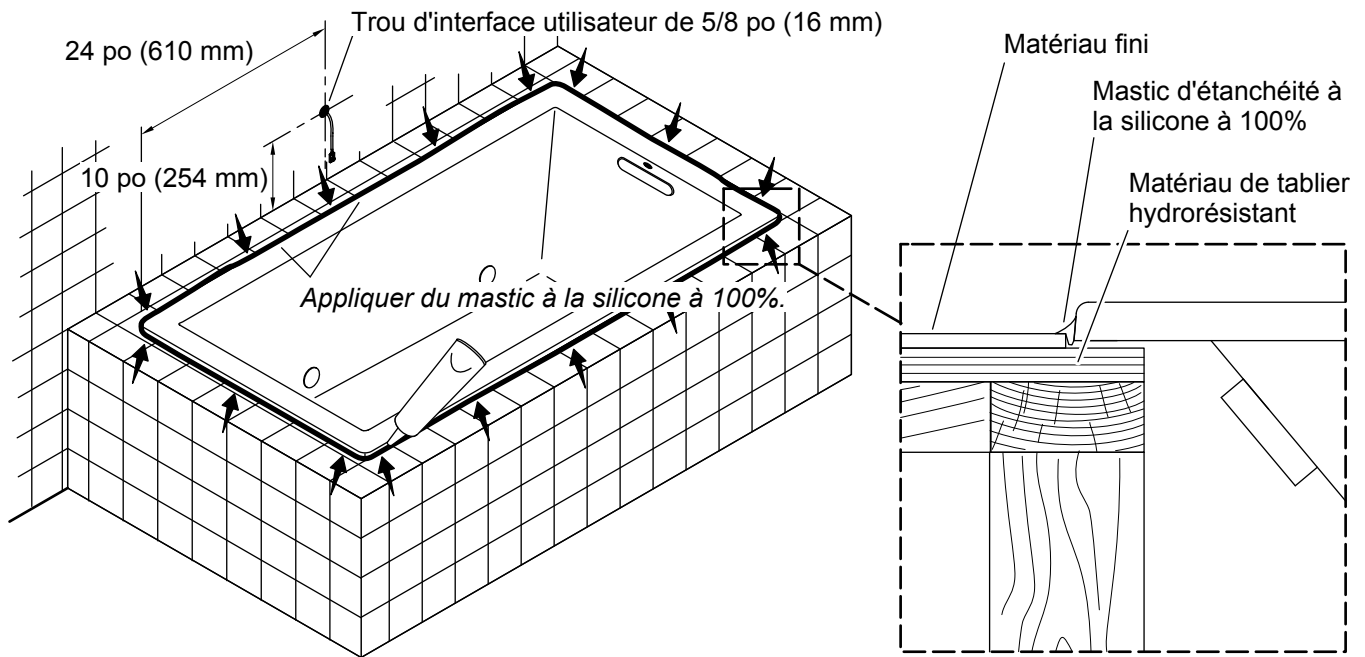
REMARQUE : L'amplificateur de commande peut être positionné verticalement ou horizontalement.

- Installer les supports de fixation sur l'amplificateur de commande.
- Positionner l'amplificateur à ras ou encastrer celui-ci à partir de l'avant des goujons.
- Utiliser les vis à bois fournies pour sécuriser l'amplificateur de commande sur la charpente. Utiliser les dispositifs d'ancrage fournis s'il est nécessaire de le sécuriser sur un matériau de mur qui n'est pas en bois.

REMARQUE : Les bornes et les fils des transducteurs sont numérotés pour permettre d'identifier les connexions appropriées. Lorsque requis, l'amplificateur de commande peut être retiré pour faciliter la procédure de connexion des fils.

- Bien** attacher les fils du transducteur aux bornes du transducteur sur l'amplificateur de commande. Les fils blancs avec noir sont les bornes de raccordement positives (+) et les fils en blanc uni sont les bornes de raccordement négatives (-).
- Si la baignoire est munie de l'option de chromathérapie, connecter le connecteur de chromathérapie à la borne de chromathérapie sur l'amplificateur de commande.
- Connecter le connecteur transparent du câble d'interface utilisateur à la connexion d'interface utilisateur de l'amplificateur de commande.
- S'il est utilisé, connecter le câble d'entrée auxiliaire à la connexion d'entrée auxiliaire sur l'amplificateur de commande.
- Brancher l'alimentation sur la prise électrique. S'assurer que l'autre extrémité de l'alimentation électrique est connectée à la connexion d'entrée d'alimentation sur l'amplificateur de commande.

7. Terminer les murs finis



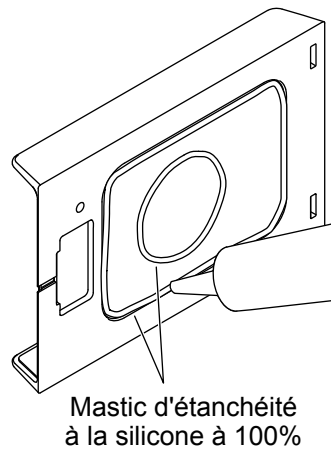
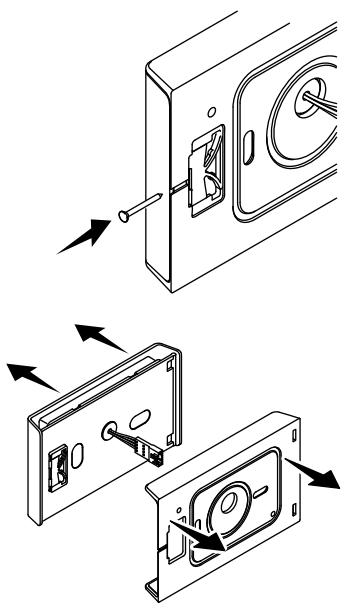
- Recouvrir la charpente avec un matériau hydro-résistant pour mur.
- Fournir un accès adéquat** à l'amplificateur de commande.
- Installer le matériau de mur et de tablier finis.
- Percer un trou de 5/8 po (16 mm) dans le matériau du mur à l'endroit où sera installée l'interface utilisateur. Se référer la section « Séquence d'installation » pour l'emplacement recommandé.
- Acheminer le câble de l'interface utilisateur à travers le trou dans le matériau du mur et placer du ruban adhésif ou fixer le câble d'une autre manière pour l'empêcher de tomber entre les murs.

IMPORTANT! Kohler Co. recommande vivement d'utiliser du mastic d'étanchéité à la silicone à 100%, conformément aux instructions. D'autres mastics d'étanchéité contenant une quantité de matériau de remplissage plus élevée doivent être évités, car ils pourraient se rétrécir, se séparer, et peler au cours du temps.

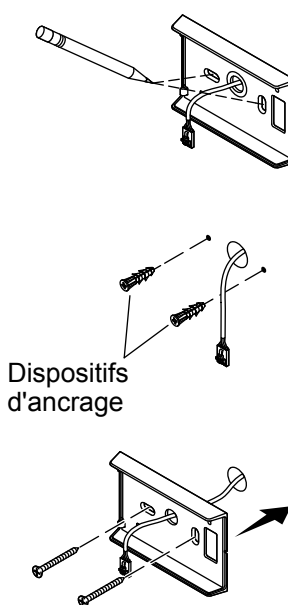
- Sceller les joints entre le rebord de la baignoire et le tablier fini avec un boudin de 1/8 po (3 mm) de mastic à la silicone à 100%.
- Installer la garniture de robinet.

8. Installer l'interface utilisateur

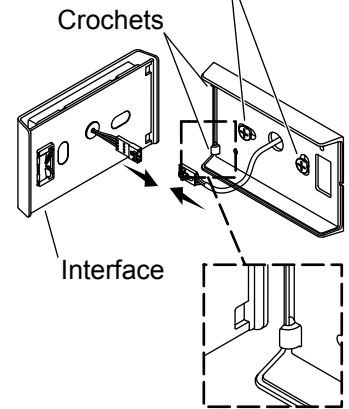
Vue arrière



Vue de face



Ajustement horizontal et verticalement



IMPORTANT! Ne pas laisser le câble qui est acheminé à travers le mur tomber dans le mur.

- Pousser un clou fin dans la rainure se trouvant dans le côté arrière de l'interface utilisateur pour séparer cette dernière de la plaque de fixation.
- Placer la plaque de fixation par-dessus le câble et contre le mur fini de manière à ce que les crochets se trouvent sur la gauche.
- Mettre la plaque de fixation de niveau et marquer les emplacements des trous pour les vis sur le mur.
- Retirer la plaque de fixation et percer des trous de 1/4 po aux emplacements marqués.
- Installer les dispositifs d'ancrage fournis dans les trous.
- Appliquer un boudin de mastic à la silicone à 100% sur les deux rainures se trouvant à l'arrière de la plaque de fixation.
- Placer la plaque de fixation par-dessus le câble avec les crochets sur la gauche et la fixer au mur en utilisant les deux vis fournies.
- S'assurer que la surface est de niveau. Si nécessaire, desserrer les vis et ajuster la plaque de fixation.
- Connecter le câble à l'interface utilisateur.
- Engager le bord de l'interface utilisateur avec les deux crochets de la plaque de fixation, puis faire fermement pivoter l'interface utilisateur contre la plaque de fixation jusqu'à ce que les deux parties s'enclenchent.
- Se référer au guide de l'utilisateur inclus avec l'interface utilisateur pour installer, programmer et vérifier le fonctionnement correct du produit.

Dépannage

Ce guide de dépannage est seulement destiné à fournir une aide d'ordre général. Un représentant du service agréé Kohler Co. ou un électricien qualifié doit rectifier tous les problèmes électriques. Pour un service de garantie, appeler le 1-800-4KOHLER à partir des É.-U. et du Canada, ou le 001-800-456-4537 à partir du Mexique.

Dépannage de l'amplificateur de commande

Symptômes	Cause probable	Action recommandée
1. Un ou plusieurs transducteurs ne produisent pas de son.	<p>A. Le fil du transducteur n'est pas connecté correctement.</p> <p>B. Fils de transducteurs endommagés.</p> <p>C. Le transducteur est manquant, desserré ou n'est pas attaché.</p>	<p>A. S'assurer que les fils sont connectés correctement à l'amplificateur de commande. Les fils blancs avec noir sont les bornes de raccordement positives (+) et les fils en blanc uni sont les bornes de raccordement négatives (-).</p> <p>B. La baignoire comprend six transducteurs sur lesquels des fils sont attachés en permanence. Inspecter les six transducteurs pour y rechercher la présence de fils effilochés, coupés ou desserrés. Appeler le centre de services à la clientèle pour obtenir de l'aide.</p> <p>C. Si l'un des six transducteurs est manquant, desserré ou n'est pas attaché sur la baignoire, s'adresser au centre de services à la clientèle pour obtenir de l'aide.</p>
2. La musique s'arrête même si une chanson a été sélectionnée correctement, et le voyant d'état clignote en jaune.	<p>A. Arrêt thermal.</p> <p>B. Erreur d'amplificateur de commande.</p>	<p>A. Arrêter le système pendant 1 heure pour permettre à l'appareil de se refroidir. S'assurer que la température de l'emplacement dans lequel l'appareil est installé ne dépasse pas 104 °F (40 °C). Redémarrer le système. Si le voyant d'état n'est pas allumé de manière solide ou s'il clignote en bleu, consulter le guide d'installation de l'amplificateur de commande.</p> <p>B. Appeler le centre de services à la clientèle si le voyant DEL d'état de l'amplificateur de commande clignote en jaune une fois que le système a été redémarré.</p>
3. Le voyant DEL d'état ne s'allume pas.	<p>A. L'alimentation électrique n'est pas branchée dans la prise.</p> <p>B. La connexion de l'alimentation électrique à l'amplificateur de commande pourrait être desserrée ou déconnectée.</p> <p>C. La prise n'est pas sous alimentation électrique.</p> <p>D. Le disjoncteur s'est déclenché.</p>	<p>A. Brancher l'alimentation électrique dans la prise.</p> <p>B. Vérifier la connexion de l'alimentation électrique à l'amplificateur de commande et reconnecter si nécessaire.</p> <p>C. S'assurer que la prise électrique est sous tension.</p> <p>D. Réarmer le disjoncteur.</p>

Symptômes	Cause probable	Action recommandée
4. Aucun son à travers les transducteurs.	<p>A. La chanson est en pause.</p> <p>B. L'entrée auxiliaire ou la source BLUETOOTH® n'est pas connectée.</p> <p>C. Aucun effet vibracoustique n'a été sélectionné sur l'interface utilisateur.</p> <p>D. L'amplificateur de commande a été mis en sourdine.</p> <p>E. Le volume est trop bas.</p>	<p>A. S'assurer qu'une chanson est en train de jouer. Si la chanson est en pause, appuyer sur la fonction de reprise pour continuer la lecture.</p> <p>B. S'assurer qu'une chanson joue à partir de l'entrée auxiliaire ou de la source BLUETOOTH®.</p> <p>C. S'assurer que l'effet vibracoustique a été sélectionné.</p> <p>D. Aller à l'écran d'intensité sur l'interface utilisateur et activer le son de l'amplificateur de commande.</p> <p>E. S'assurer que le volume est réglé sur un niveau assez élevé sur l'interface utilisateur et le dispositif auxiliaire.</p>
5. L'amplificateur de commande ne se connecte pas à un appareil BLUETOOTH®.	<p>A. L'appareil BLUETOOTH® ne se trouve pas dans les limites de la portée prévue.</p> <p>B. L'appareil n'est pas apparié avec l'amplificateur de commande.</p>	<p>A. Amener l'appareil plus près de l'emplacement de l'amplificateur de commande. Dans des conditions normales, la portée maximale est de 30 pi (9,14 m).</p> <p>B. Appairer l'appareil avec l'amplificateur de commande selon les instructions d'appariement pour l'appareil.</p>
6. Le voyant DEL est bleu, mais le signal audio est intermittent.	<p>A. L'appareil BLUETOOTH® ne se trouve pas dans les limites de la portée prévue.</p>	<p>A. Amener l'appareil plus près de l'emplacement de l'amplificateur de commande. Dans des conditions normales, la portée maximale est de 30 pi (9,14 m).</p>

Dépannage de la chromathérapie (si présente)







Symptômes	Cause probable	Action recommandée
1. Les lampes de chromathérapie ne fonctionnent pas.	<p>A. L'alimentation à l'amplificateur de commande est coupée.</p> <p>B. L'amplificateur de commande doit être réinitialisé.</p> <p>C. L'amplificateur de commande ne fonctionne pas.</p> <p>D. Connexions des câbles de chromathérapie ou de l'interface utilisateur desserrées ou endommagées.</p> <p>E. L'interface utilisateur ne fonctionne pas correctement.</p> <p>F. La fonction de chromathérapie n'a pas été sélectionnée sur l'interface utilisateur.</p> <p>G. La commande de chromathérapie ne fonctionne pas.</p>	<p>A. Réinitialiser le disjoncteur pour l'amplificateur de commande, puis vérifier l'alimentation électrique et les connexions.</p> <p>B. Débrancher le cordon d'alimentation de l'amplificateur de la prise électrique. Attendre 30 secondes, puis brancher dans l'alimentation électrique et redémarrer.</p> <p>C. Remplacer l'amplificateur.</p> <p>D. Inspecter les câbles pour y rechercher des connexions desserrées ou des endommagements. Remplacer les câbles selon les besoins.</p> <p>E. Vérifier que le câble de l'interface utilisateur est bien connecté à l'interface utilisateur et à la connexion de l'interface utilisateur sur l'amplificateur. Si les connexions sont adéquates, remplacer l'interface utilisateur.</p> <p>F. Sélectionner la fonction de chromathérapie sur l'interface utilisateur.</p> <p>G. Remplacer la commande de chromathérapie.</p>

Symptômes	Cause probable	Action recommandée
<p>2. Les lampes de chromathérapie ne passent pas par toutes les couleurs.</p>	<p>A. L'amplificateur de commande doit être réinitialisé.</p> <p>B. Connexions des câbles de chromathérapie ou de l'interface utilisateur desserrées ou endommagées.</p> <p>C. L'interface utilisateur ne fonctionne pas correctement.</p> <p>D. Si aucune des actions recommandées ne corrige le problème, contacter Kohler Co.</p>	<p>A. Débrancher le cordon d'alimentation de l'amplificateur de la prise électrique. Attendre 30 secondes, puis brancher dans l'alimentation électrique et redémarrer.</p> <p>B. Inspecter les câbles pour y rechercher des connexions desserrées ou des endommagements. Remplacer les câbles selon les besoins.</p> <p>C. Faire un cycle de toutes les fonctions de lampes de chromathérapie. Si les lampes ne passent pas par toutes les couleurs et si l'icône bleue sur l'interface utilisateur n'est pas allumée, remplacer l'interface utilisateur.</p> <p>D. Appeler le centre de services à la clientèle pour obtenir de l'aide.</p>
<p>3. Les lampes de chromathérapie restent bloquées sur une couleur.</p>	<p>A. L'amplificateur de commande doit être réinitialisé.</p> <p>B. L'interface utilisateur ne fonctionne pas correctement.</p> <p>C. Connexions des câbles de chromathérapie ou de l'interface utilisateur desserrées ou endommagées.</p> <p>D. Si aucune des actions recommandées ne corrige le problème, contacter Kohler Co.</p>	<p>A. Débrancher le cordon d'alimentation de l'amplificateur de la prise électrique. Attendre 30 secondes, puis brancher dans l'alimentation électrique et redémarrer.</p> <p>B. Faire un cycle de toutes les fonctions de lampes de chromathérapie. Si les lampes ne passent pas par toutes les couleurs et si l'icône bleue sur l'interface utilisateur n'est pas allumée, remplacer l'interface utilisateur.</p> <p>C. Inspecter les câbles pour y rechercher des connexions desserrées ou des endommagements. Remplacer les câbles selon les besoins.</p> <p>D. Appeler le centre de services à la clientèle pour obtenir de l'aide.</p>

Instrucciones de instalación

Bañera vibracústica

INSTRUCCIONES IMPORTANTES

-  **AVISO:** Al usar aparatos eléctricos siempre cumpla las precauciones básicas, como las siguientes:
-  **PELIGRO: Riesgo de sacudidas eléctricas.** Solamente conecte a un circuito protegido por un interruptor de circuito con pérdida a tierra (GFCI)*.
-  **AVISO: Riesgo de sacudidas eléctricas.** Un electricista calificado debe tender todo el cableado eléctrico.
-  **AVISO: Riesgo de sacudidas eléctricas.** Desconecte el suministro eléctrico antes de dar servicio.
-  **AVISO: Riesgo de sacudidas eléctricas.** No haga funcionar dispositivos auxiliares de audio eléctricos cerca del agua.
-  **AVISO: Riesgo de lesiones personales o daños a la propiedad.** Por favor, lea atentamente todas las instrucciones antes de comenzar la instalación.

AVISO: Cumpla todos los códigos de plomería, construcción y eléctricos. En Canadá, instale la unidad conforme al Código Eléctrico Canadiense, Parte 1.

AVISO: Se requiere conexión a tierra. Un representante de servicio autorizado debe instalar esta unidad y conectarla a tierra.

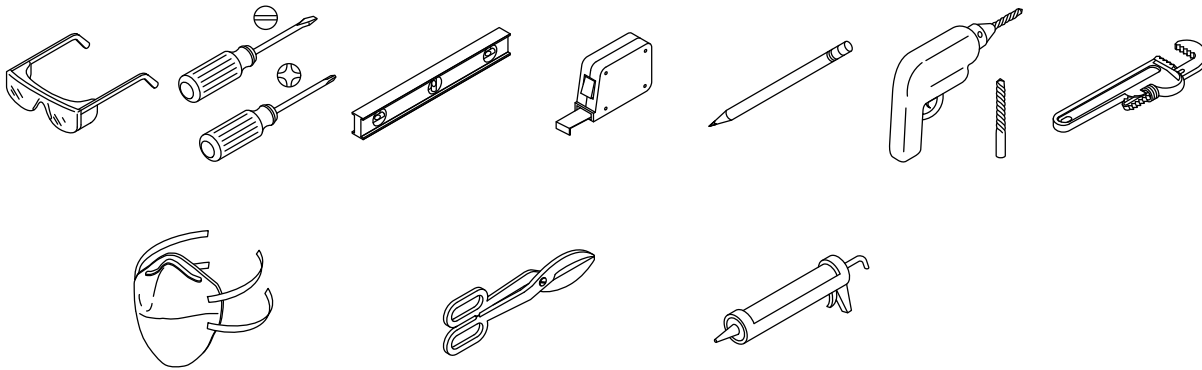
AVISO: Si el cable de suministro eléctrico está dañado, debe ser reemplazado por el fabricante, por su agente de servicio o por personas igualmente capacitadas para así evitar un peligro.

AVISO: Deje un espacio libre mínimo de 6" (152 mm) alrededor del amplificador de control para asegurar el flujo de aire adecuado.

Instale de manera que quede acceso para dar servicio.

*Fuera de Estados Unidos es posible que este se conozca como dispositivo de corriente residual (RCD).

Herramientas y materiales



Protección al sistema respiratorio Tijeras para chapa Sellador 100% de silicona

Más:

- Herramientas y materiales de carpintería
- Lona
- Adhesivo de construcción (opcional)
- Cemento* o mortero (opcional)
- Maderos de 2x4 pulg
- Película plástica (opcional)
- Espaciador de 1/8" (3 mm)

* No utilice cemento de yeso.

Antes de comenzar

¡IMPORTANTE! Debido a la superposición de la señal de BLUETOOTH®, las instalaciones con múltiples bañeras a menos de 50 pies (15,2 m) entre ellas requieren un producto de pedido especial. Comuníquese con su distribuidor, sala de exhibición, o representante de ventas para obtener ayuda con este tipo de pedido.

AVISO: Provea el soporte de piso adecuado. Anote el **número de modelo** que está en el lado posterior de la bañera, y luego consulte información adicional en la página del producto en kohler.com.

AVISO: No apoye el peso de la bañera sobre el reborde. Planee instalar cuñas bajo la bañera cuando sea necesario para nivelarla.

AVISO: Si va a instalar una grifería de montaje al reborde o a la cubierta, verifique que haya soporte adecuado. Las griferías grandes, que pudieran utilizarse accidentalmente como apoyo, no son seguras para esta instalación.

¡IMPORTANTE! Para asegurar que la instalación sea exitosa, el piso donde se instale la bañera debe estar y nivelado.

Cumpla todos los códigos locales y estatales de plomería, construcción y eléctricos.

Desempaque el producto y verifique que no esté dañado. Vuelva a poner el producto en la caja hasta que la vaya a instalar.

Antes de comenzar la instalación, lea estas instrucciones y determine la ubicación de todos los componentes que se requieren.

Esta bañera está diseñada para instalaciones de sobreponer, encajonada entre tres paredes, de montaje por abajo o en isla.

Determine la ubicación del amplificador de control si este se va a instalar a distancia. El amplificador de control incluye una fuente de suministro eléctrico con un cable de suministro eléctrico de 36" (914 mm) y un cable de conexión de 25' (7,6 m).

Un electricista calificado debe instalar un tomacorriente con GFCI o RCD de 120 V, 15 A dentro de la estructura de postes de madera, a menos de 24" (610 mm) del amplificador de control. La interface de usuario, los transductores y la cromoterapia (si está equipada), se activan mediante las conexiones con el amplificador de control.

Utilice tubo conduit para tender los cables de alimentación eléctrica desde el interruptor de circuitos.

Esta bañera no cabrá fácilmente a través de los marcos de las puertas. Planifique con cuidado cómo va a mover la bañera al área de instalación.

Es necesario instalar la bañera en un piso nivelado y con suficiente soporte.

Provea una estructura de postes de madera que tenga las dimensiones correctas.

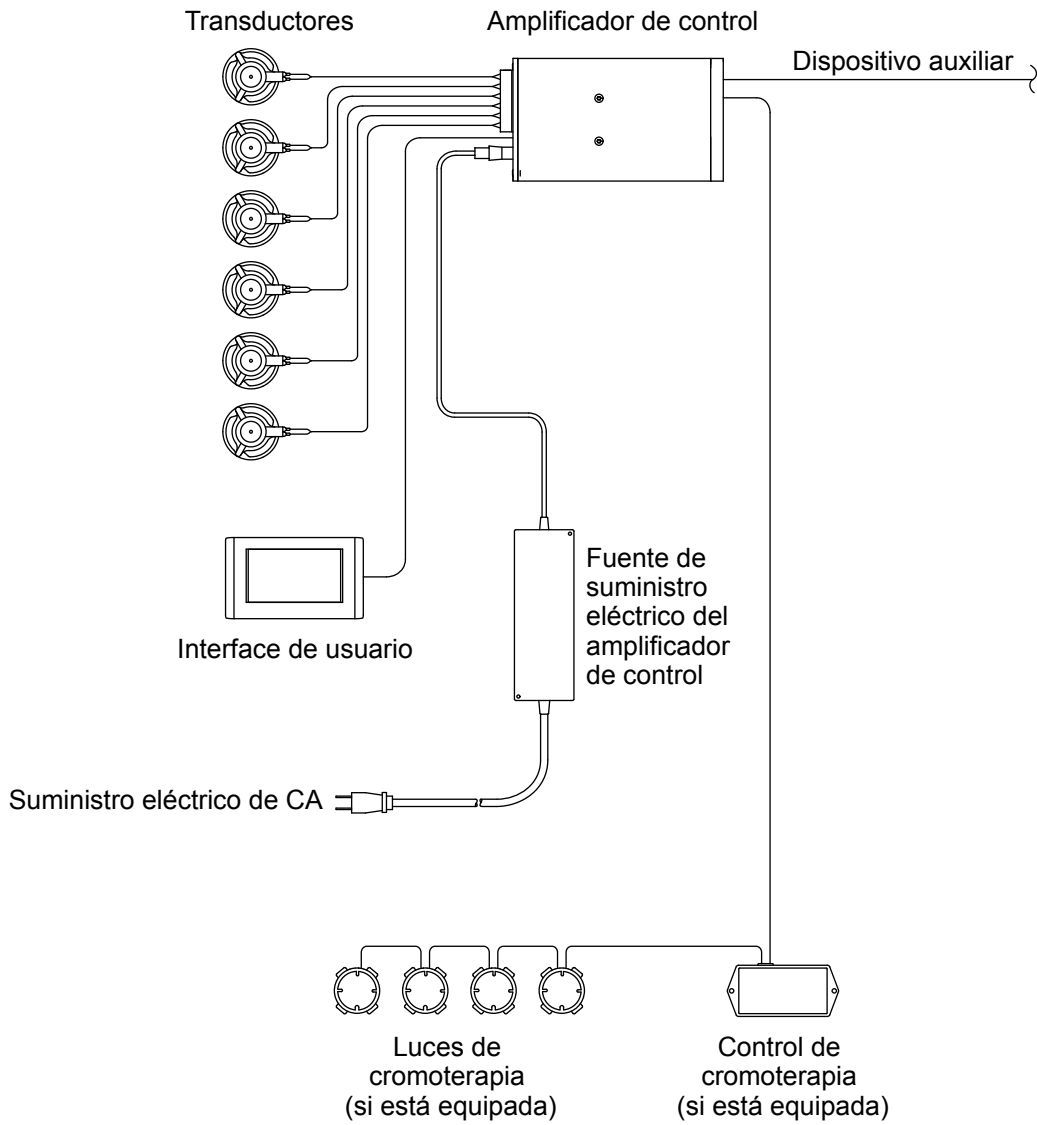
El fondo de la bañera no requiere soporte adicional, siempre que el subpiso esté nivelado y a escuadra con la estructura de postes.

Planee el espacio adecuado de montaje y para conexión de la grifería.

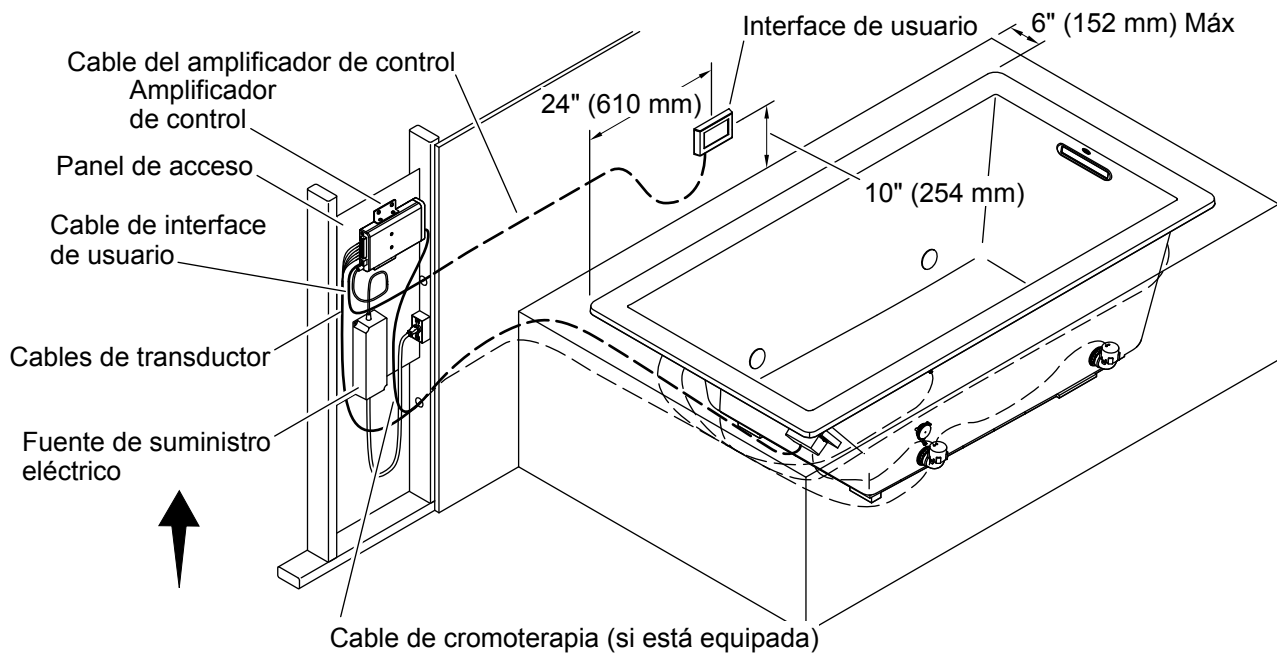
Esta bañera satisface la norma CSA B45.5/IAPMO Z124.

La marca con la palabra BLUETOOTH® y los logotipos son marcas comerciales registradas de Bluetooth SIG, Inc. y el uso de dichas marcas por Kohler Co. se hace mediante permiso. Las demás marcas y los demás nombres comerciales son de sus respectivos propietarios.

Sistema vibracústico y cromoterapia (si están equipados)



Secuencia de instalación



¡IMPORTANTE! Varios de los componentes incluidos con la bañera reciben energía eléctrica del amplificador de control por cables de 25' (7,6 m). Planee la ubicación del amplificador de control, de manera que los cables alcancen sin quedar tensos.

- Para obtener los mejores resultados, siga la secuencia de instalación a continuación. Las instrucciones detalladas se encuentran en las páginas siguientes de esta guía.
- La ilustración de arriba muestra una instalación típica con los lugares preferidos para la interface de usuario y el amplificador de control. La instalación será similar, de acuerdo a su bañera.

Secuencia de instalación recomendada

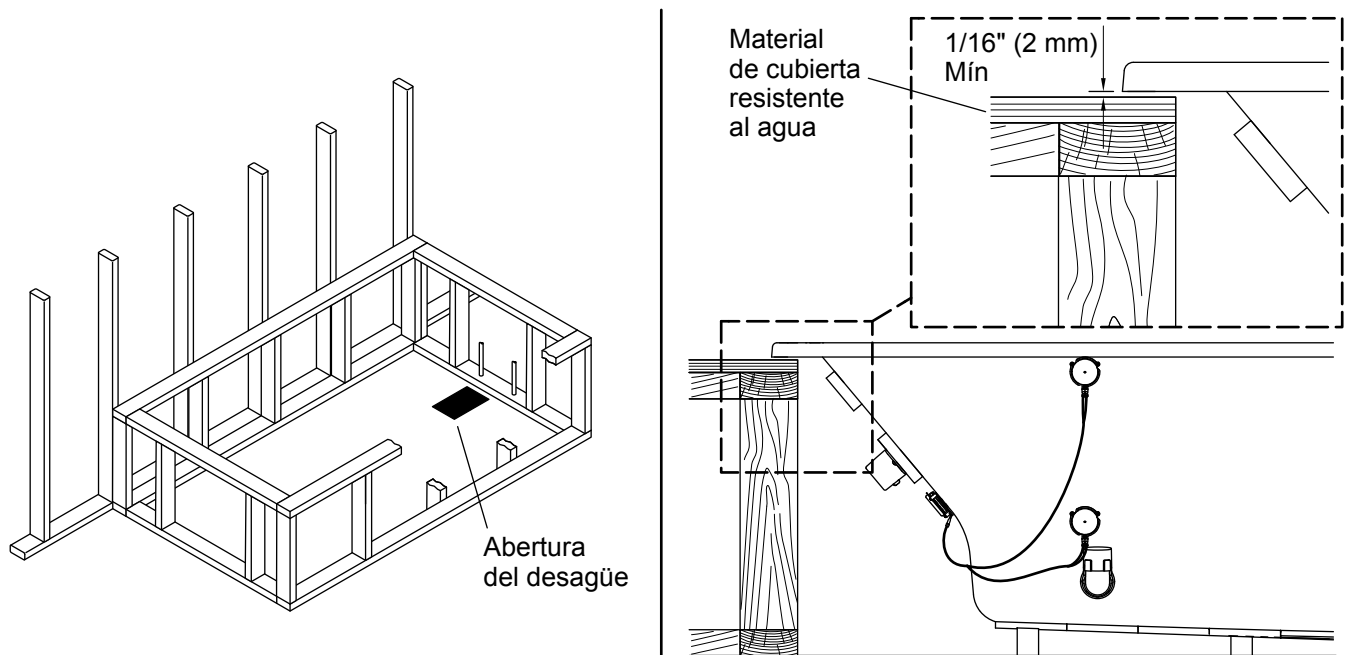
- Determine la ubicación de los componentes de la bañera. Consulte las ubicaciones de preferencia en la ilustración.
- Determine la ubicación adecuada del panel de acceso para poder dar servicio al amplificador de control.

AVISO: Forme la estructura de soporte de la bañera con postes de madera. Las estructuras de metal pueden afectar adversamente la calidad vibracústica del producto.

- Construya la estructura de postes adecuada a su instalación.
- Instale el material sin terminar de la cubierta.
- Tienda las líneas de suministro y de desagüe de plomería para la bañera.
- Instale la bañera y el desagüe.
- Tienda los cables de los transductores al lugar del amplificador de control.
- Instale un tomacorriente a menos de 24" (610 mm) del lugar del amplificador de control.
- Si la bañera está equipada con cromoterapia, tienda el cable de cromoterapia desde la bañera hasta el lugar del amplificador de control.
- Tienda el cable de la interface de usuario desde el área del amplificador de control hasta la ubicación de la interface de usuario.

- Instale el amplificador de control.
- Conecte los cables de los transductores, de la interface de usuario, del dispositivo auxiliar opcional (si se usa), y de cromoterapia (si está equipada) al amplificador de control.
- Termine las paredes y la cubierta de la instalación, e instale el panel de acceso requerido para el amplificador de control.
- Conecte el cable de la interface de usuario a la interface de usuario, e instale la interface de usuario.
- Enchufe el amplificador de control en el tomacorriente.
- Pruebe el funcionamiento de todos los componentes de la bañera. Consulte el funcionamiento en la "Guía del propietario".

1. Prepare el sitio



AVISO: Mida el producto para la preparación del lugar. Anote el **número de modelo** que está en el lado posterior de la bañera, y luego consulte información adicional en la página del producto en kohler.com.

Piso

- Proporcione el soporte adecuado para la bañera. Instale soporte adicional, según sea necesario.
- Verifique que el subpiso esté a nivel. Ajuste la nivelación, según sea necesario.

Estructura de postes

⚠ PRECAUCIÓN: Riesgo de daños al producto. No apoye la bañera sobre el reborde. La bañera debe quedar soportada por las patas o por la base. Planee instalar cuñas bajo la bañera cuando sea necesario para nivelarla.

¡IMPORTANTE! Varios de los componentes incluidos con la bañera reciben energía eléctrica del amplificador de control por cables de 25' (7,6 m). Planee la ubicación del amplificador de control, de manera que los cables alcancen sin quedar tensos.

AVISO: Forme la estructura de soporte de la bañera con postes de madera. Las estructuras de metal pueden afectar adversamente la calidad vibracústica del producto.

AVISO: Si va a instalar el amplificador de control entre postes de madera, la separación entre estos postes debe ser 16" (406 mm).

NOTA: La estructura de madera ilustrada no contiene la pared acabada ni los materiales de cubierta. Al construir la estructura de postes planee espacio para el espesor del material de la cubierta y de la pared acabada.

- Construya la estructura de postes, y tome en cuenta el grosor de la pared acabada y de los materiales de la cubierta.
- En instalaciones de sobreponer,** deje una separación de 1/16 (2 mm) a 1/8" (3 mm) entre el lado inferior del reborde de la bañera y la estructura de madera para asegurar que la bañera no quede apoyada por el reborde.
- En instalaciones de montaje por abajo,** deje una separación de 1/16 (2 mm) a 1/8" (3 mm) entre la estructura de madera y la superficie superior del reborde de la bañera para asegurar que el peso de la estructura no quede apoyado en el reborde de la bañera.

- Construya un marco estructural o una cavidad para el amplificador de control.
- Planee una manera de tender el cable de interface de usuario a través de la pared hasta el amplificador de control.

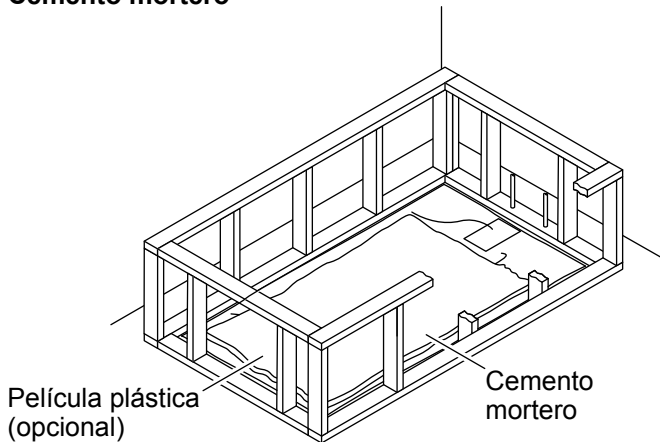
Plomería

NOTA: En instalaciones con desagüe a través del piso, perforo un orificio en el piso para las conexiones del desagüe.

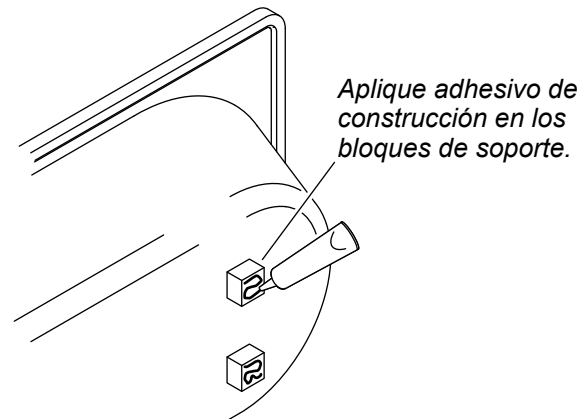
- Instale la plomería de desagüe y de suministro de agua de acuerdo al diseño.
- Tape los suministros de agua y verifique que no haya fugas.
- Instale el desagüe a la bañera según las instrucciones del fabricante del desagüe. **Todavía no conecte la boca de sifón.**

2. Instale la bañera

Cemento mortero



Adhesivo de construcción



¡IMPORTANTE! Use espaciadores de un máximo de 1/8" (3 mm) bajo el reborde de la bañera, de manera que el reborde no haga contacto con la cubierta.

- Antes de continuar, asegúrese de que el subpiso esté nivelado. Utilice cuñas cuando sea necesario.
- Instale la bañera mediante uno de los dos métodos siguientes.

Método de capa de cemento o mortero


AVISO: No utilice cemento de yeso o pasta para paneles de yeso, ya que estos materiales no proporcionan adherencia duradera.

- Si lo desea, puede colocar una película plástica sobre los subpisos de madera para evitar la absorción de humedad.
- Extienda una capa de 1" (25 mm) a 2" (51 mm) de cemento o cemento mortero en el subpiso.
- Con ayuda, coloque la bañera en su lugar. Tenga cuidado para evitar dañar cualquiera de los componentes montados a la bañera.
- Use espaciadores de un máximo de 1/8" (3 mm) bajo el reborde de la bañera.
- Verifique que la bañera esté nivelada. Cambie la posición o coloque cuñas si es necesario.
- Coloque una lona limpia en el fondo de la bañera para proteger la superficie de la bañera.
- Ponga peso en el fondo de la bañera hasta que el cemento mortero cure.

Método de adhesivo de construcción

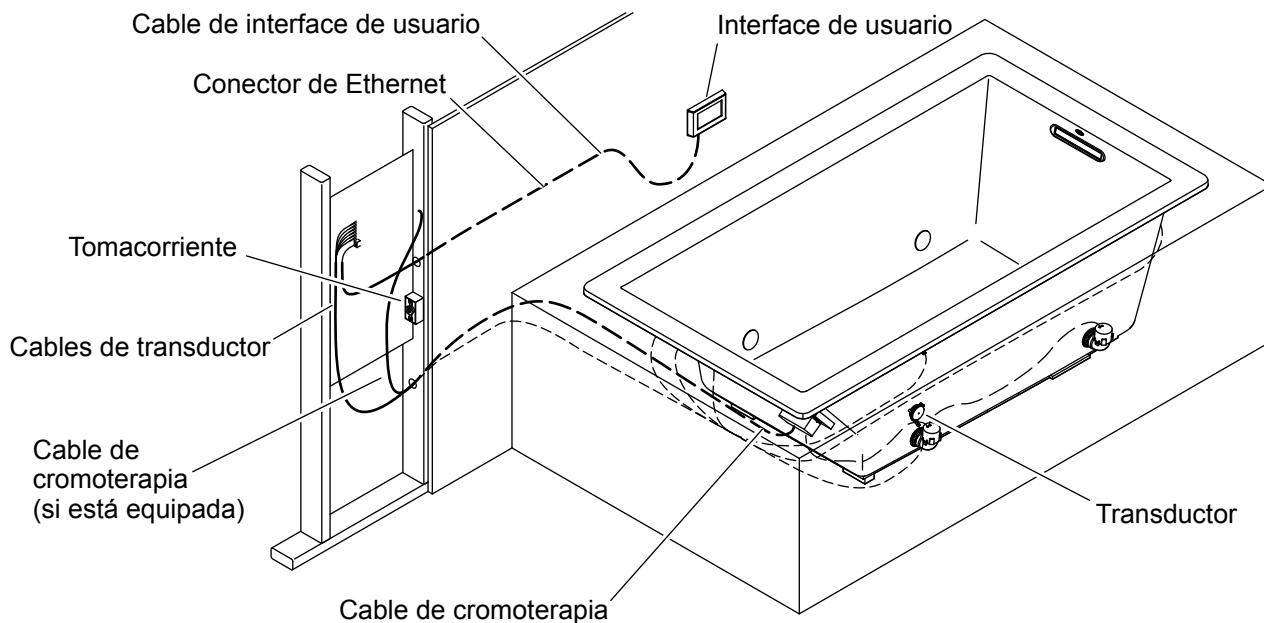
- Aplique una cantidad abundante de adhesivo de construcción en la parte inferior de los bloques de soporte o de los soportes moldeados.
- Con ayuda, coloque la bañera en su lugar. Tenga cuidado para evitar dañar cualquiera de los componentes montados a la bañera.
- Use espaciadores de un máximo de 1/8" (3 mm) bajo el reborde de la bañera.
- Verifique que la bañera esté nivelada y apoyada sobre todos los soportes. Cambie la posición o coloque cuñas si es necesario.
- Coloque una lona limpia en el fondo de la bañera para proteger la superficie de la bañera.
- Ponga peso en el fondo de la bañera hasta que el adhesivo cure.

3. Instale la plomería

 **PRECAUCIÓN: Riesgo de daños a la propiedad.** Las conexiones de desagüe que tienen fugas causan daños a la propiedad. Asegúrese de que el sello de todas las conexiones del desagüe sean impermeables.

- Haga las conexiones finales del desagüe.
- Instale la grifería de acuerdo a las instrucciones del fabricante. **No instale la guarnición de la grifería en este momento.**
- Abra los suministros de agua fría y caliente.
- Revise que no haya fugas en las conexiones.
- Llene la bañera hasta el rebosadero, y revise que no haya fugas en las conexiones del desagüe.

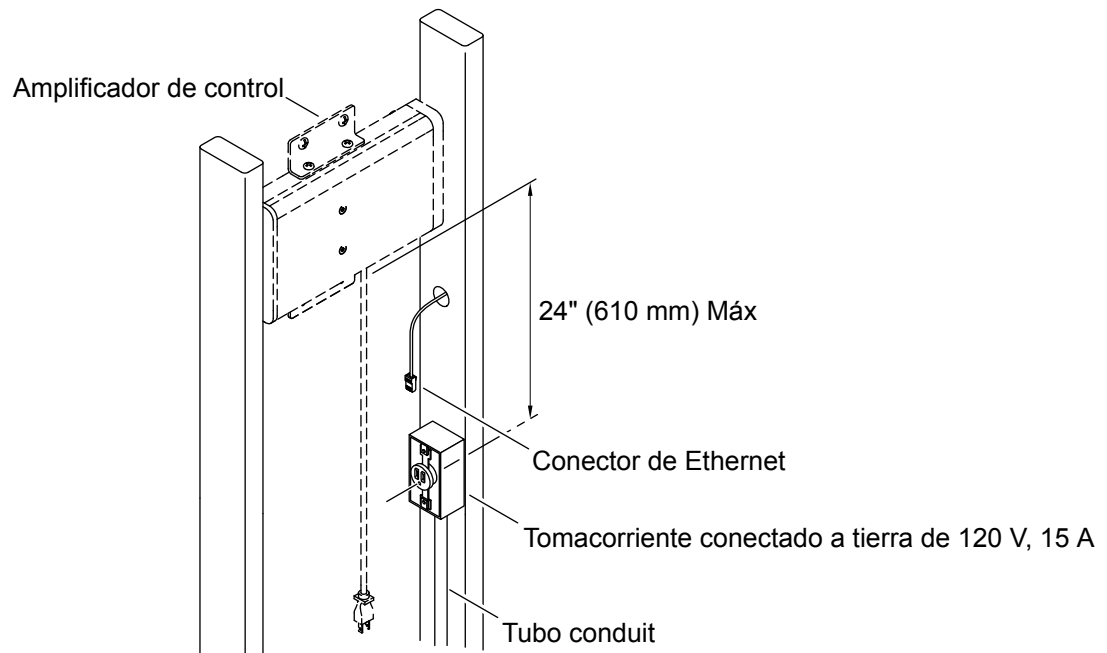
4. Tienda los cables



¡IMPORTANTE! Varios de los componentes incluidos con la bañera reciben energía eléctrica del amplificador de control por cables de 25' (7,6 m). Planee la ubicación del amplificador de control, de manera que los cables alcancen sin quedar tensos.

- Con cuidado corte el sujetacables que fija los cables en espiral de los transductores a la bañera.
- Tienda los cables de los transductores a través de los postes de madera hasta el lugar del amplificador de control, taladrando orificios de 1" (52 mm) donde sea necesario.
- Si la cromoterapia está equipada, tienda el cable de cromoterapia desde la bañera hasta el lugar del amplificador de control. Siga la misma ruta que la de los cables de los transductores.
- Tienda el cable de la interface de usuario a través de la estructura de postes, desde el lugar de la interface de usuario hasta el lugar del amplificador de control. Asegúrese de que el conector tipo Ethernet quede en el extremo del amplificador de control. Incluya un lazo de goteo.
- Si usa un cable de entrada auxiliar (no se incluye), téndalo hasta la ubicación del amplificador de control.

5. Instale un tomacorriente

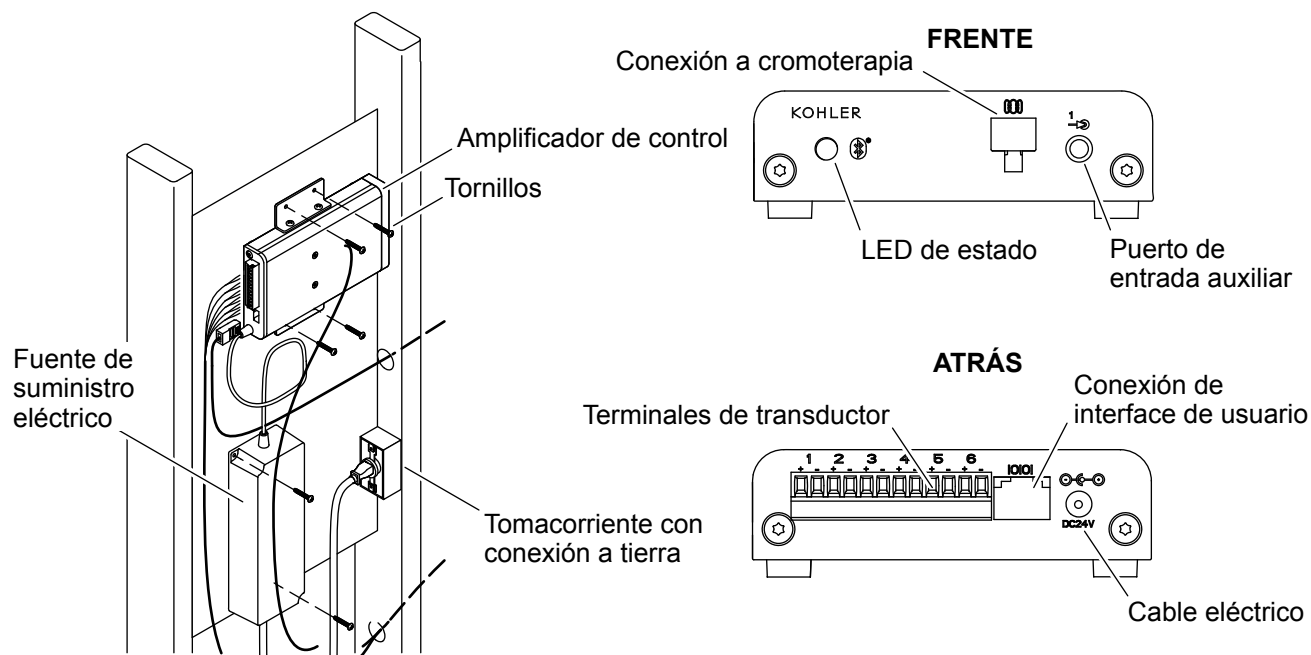


AVISO: Riesgo de sacudidas eléctricas. Desconecte el suministro eléctrico antes de realizar los siguientes procedimientos.

AVISO: Un electricista calificado debe instalar un tomacorriente dedicado conectado a tierra, de 120 V, 15 A con protección mediante un interruptor GFCI o RCD.

- Instale un tomacorriente con conexión a tierra de 120 V, 15 A, dentro de la estructura de postes en la pared, y a menos de 24" (610 mm) del lugar del amplificador de control. Tienda los cables por tubo conduit en esta instalación de tomacorriente.

6. Instale el amplificador de control



⚠ AVISO: Riesgo de sacudidas eléctricas. Conecte el amplificador de control a un tomacorriente conectado a tierra apropiadamente, protegido por un interruptor de circuito con pérdida a tierra (GFCI) o dispositivo de corriente residual (RCD). No quite la clavija de conexión a tierra del enchufe ni utilice un adaptador de conexión a tierra.

¡IMPORTANTE! Mantenga los materiales de aislamiento alejados del amplificador de control. Deje un espacio libre, sin obstrucciones, alrededor del amplificador de control para permitir que se enfríe.

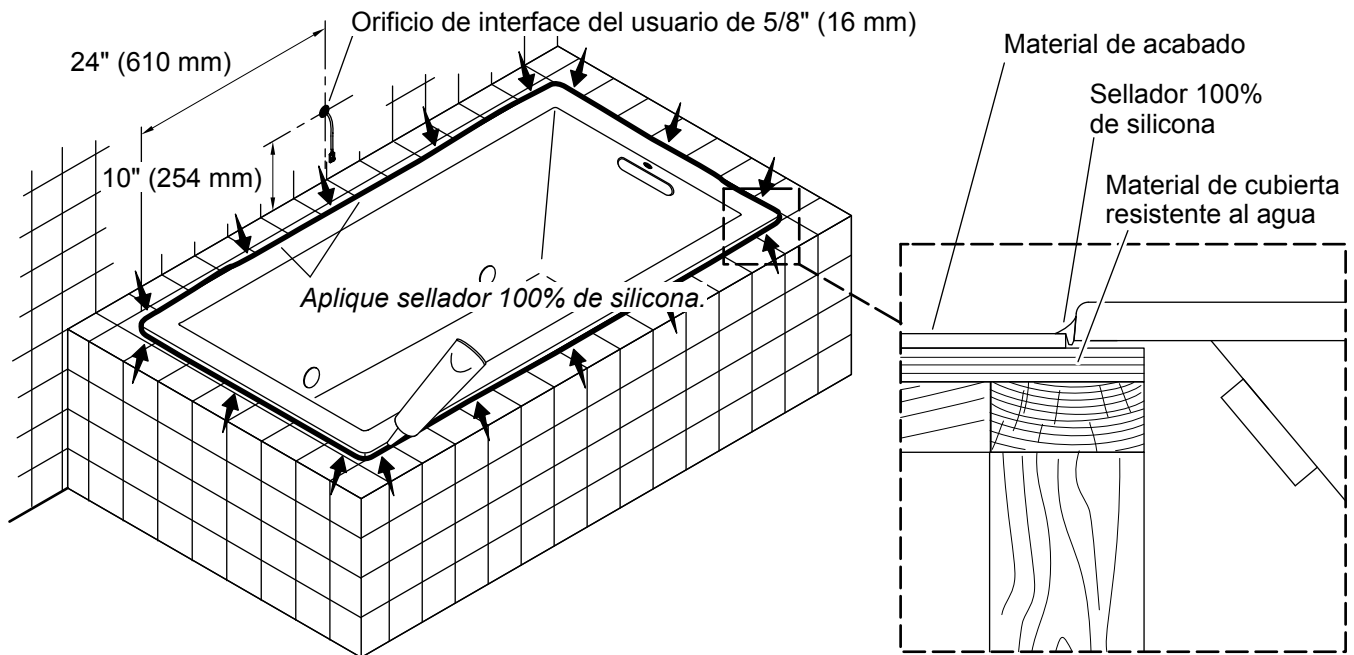
NOTA: El amplificador de control puede colocarse vertical u horizontalmente.

- Instale los soportes de montaje al amplificador de control.
- Coloque el amplificador de control al ras o empotrado con respecto al frente de los postes de madera.
- Utilice los tornillos para madera, que se incluyen, para fijar el amplificador de control a la estructura de madera. Utilice los anclajes, que se incluyen, si va a fijar a un material de pared que no sea madera.

NOTA: Los terminales de los transductores y los cables están numerados para identificar las conexiones correctas. Cuando se requiera, el amplificador de control se puede retirar para facilitar la conexión de los cables.

- Conecte **firmemente** los cables de los transductores a los terminales de los transductores en el amplificador de control. Cada transductor tiene un cable blanco con negro que es el conductor positivo (+), y un cable blanco que es el conductor negativo (-).
- Si la cromoterapia está equipada, conecte el conector de cromoterapia al terminal de cromoterapia en el amplificador de control.
- Conecte el conector transparente en el cable de la interface de usuario a la conexión de la interface de usuario del amplificador de control.
- Si se usa, conecte el conector de entrada auxiliar a la conexión de entrada auxiliar en el amplificador de control.
- Enchufe el suministro eléctrico al tomacorriente. Asegúrese de que el otro extremo del suministro eléctrico quede conectado a la conexión de entrada de suministro eléctrico en el amplificador de control.

7. Aplique el acabado a las paredes

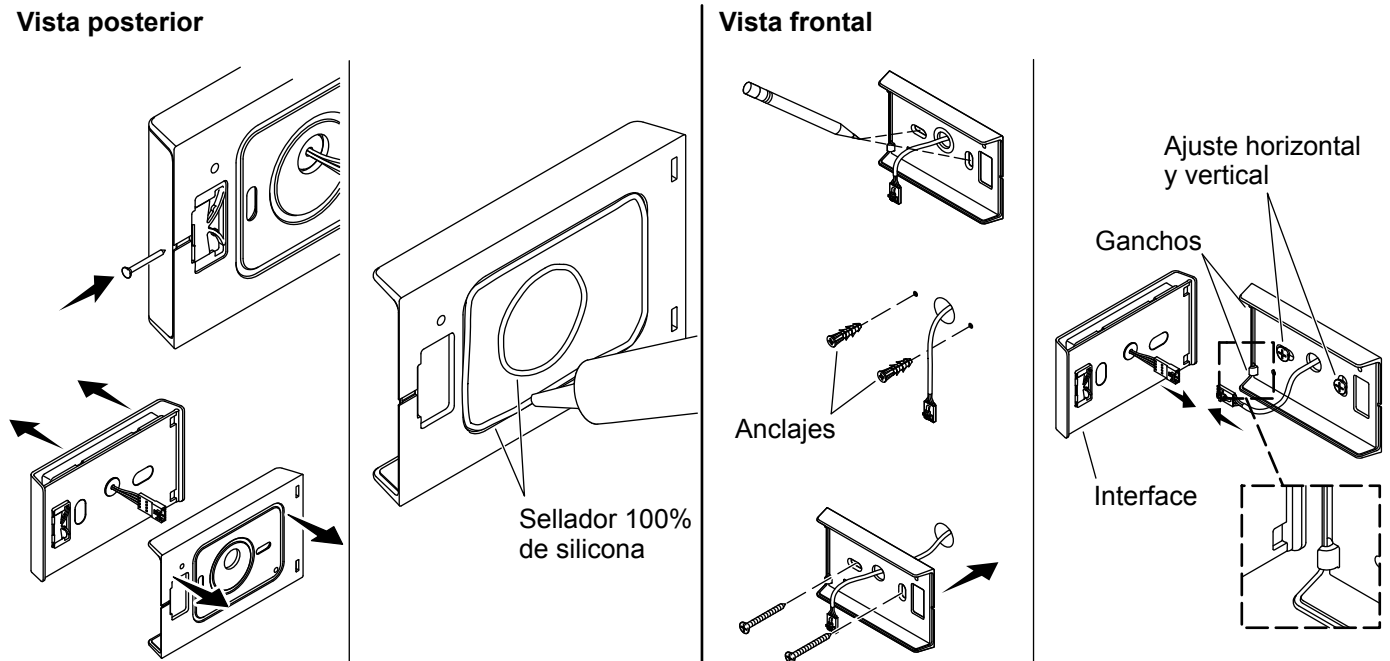


- Cubra la estructura de postes con un material de pared resistente al agua.
- Deje acceso adecuado** al amplificador de control.
- Instale los materiales de acabado de la pared y la cubierta.
- Taladre un orificio de 5/8" (16 mm) a través del material de la pared donde se vaya a instalar la interfaz de usuario. Consulte las recomendaciones de ubicación en la sección "Secuencia de instalación".
- Tienda el cable de la interfaz de usuario a través del orificio del material de la pared, y fije el cable con cinta u otro medio, de manera que no se caiga entre las paredes.

¡IMPORTANTE! Kohler Co. recomienda enfáticamente el uso de sellador 100 % de silicona, como se indica. Debe evitarse el uso de otros selladores con alto contenido de relleno, ya que pueden encogerse, separarse o despegarse al paso del tiempo.

- Selle las juntas entre el reborde de la bañera y la cubierta acabada con un hilo continuo de sellador 100 % de silicona de 1/8" (3 mm).
- Instale la guarnición de la grifería.

8. Instale la interface de usuario



¡IMPORTANTE! No permita que el cable que pasa a través del orificio de la pared se caiga dentro de la pared.

- Empuje un clavo delgado en la ranura del lado posterior de la interface de usuario para separar la interface de la placa de montaje.
- Coloque la placa de montaje sobre el cable y contra la pared acabada, de manera que los ganchos queden a la izquierda.
- Nivele la placa de montaje y marque la ubicación de los orificios para tornillos en la pared.
- Retire la placa de montaje y taladre orificios de 1/4 pulg. en los lugares marcados.
- Instale los anclajes de pared, que se incluyen, en los orificios.
- Aplique un hilo continuo de sellador 100 % de silicona en las dos ranuras del lado posterior de la placa de montaje.
- Coloque la placa de montaje sobre el cable con los ganchos hacia la izquierda, y fije a la pared con los dos tornillos que se incluyen.
- Verifique la nivelación. Si es necesario, afloje los tornillos y ajuste la placa de montaje.
- Conecte el cable a la interface de usuario.
- Enganche el borde de la interface de usuario con los 2 ganchos de la placa de montaje, y luego gire la interface de usuario contra la placa de montaje hasta que encajen juntos.
- Consulte la guía del usuario que se incluye con la interface de usuario para configurar, programar y verificar el funcionamiento del producto.

Resolución de problemas

Esta guía de localización de averías es solo para ayuda general. Todos los problemas eléctricos deben ser resueltos por un representante de servicio autorizado de Kohler Co. o un electricista capacitado. Para obtener servicio de garantía, llame al 1-800-4KOHLER desde EE.UU. y Canadá, o al 001-800-456-4537 desde México.

Resolución de problemas del amplificador de control

Síntomas	Causa probable	Acción recomendada
1. Uno o más transductores no producen sonido.	<p>A. El cable de alguno de los transductores no está bien conectado.</p> <p>B. Cables dañados de transductores.</p> <p>C. Algún transductor falta, está suelto o no está conectado.</p>	<p>A. Asegúrese de que los cables estén bien conectados al amplificador de control. Cada transductor tiene un cable blanco con negro que es el conductor positivo (+), y un cable blanco que es el conductor negativo (-).</p> <p>B. La bañera tiene 6 transductores con cables conectados de forma permanente. Revise los 6 transductores para ver si hay algún cable deshilachado, cortado o suelto. Comuníquese con el Centro de Atención al Cliente para obtener asistencia.</p> <p>C. Si falta alguno de los 6 transductores, si hay alguno suelto o no conectado a la bañera, comuníquese con el Centro de Atención al Cliente para obtener asistencia.</p>
2. La música se detiene aunque se haya seleccionado correctamente una pieza musical, y la luz indicadora de estado parpadea en amarillo.	<p>A. Apagado térmico.</p> <p>B. Error del amplificador de control.</p>	<p>A. Apague el sistema durante 1 hora para dejar enfriar la unidad. Asegúrese de que el área donde está instalada la unidad no exceda 104°F (40°C). Vuelva a encender el sistema. Si el indicador de estado no está iluminado de manera sólida o parpadeando en azul, consulte la Guía de instalación del amplificador de control.</p> <p>B. Comuníquese con el Centro de Atención a Clientes si el indicador de estado LED del amplificador de control parpadea en amarillo después de volver a encender el sistema.</p>
3. El LED de estado no se ilumina.	<p>A. El suministro de corriente eléctrica no está enchufado en el tomacorriente.</p> <p>B. La conexión de la fuente de suministro eléctrico al amplificador de control está suelta o desconectada.</p> <p>C. El tomacorriente no recibe suministro eléctrico.</p> <p>D. El interruptor de circuito se ha disparado.</p>	<p>A. Enchufe la fuente de suministro eléctrico al tomacorriente.</p> <p>B. Revise la conexión de la fuente de suministro eléctrico al amplificador de control, y vuelva a conectar si es necesario.</p> <p>C. Asegúrese de que el tomacorriente reciba suministro eléctrico.</p> <p>D. Restablezca (reset) el interruptor de circuito.</p>

Síntomas	Causa probable	Acción recomendada
4. No se produce sonido a través de los transductores.	<p>A. La canción está en pausa.</p> <p>B. La fuente de entrada auxiliar o de BLUETOOTH® no está conectada.</p> <p>C. No se ha seleccionado una experiencia vibracústica en la interface de usuario.</p> <p>D. El amplificador de control ha sido silenciado.</p> <p>E. El volumen está muy bajo.</p>	<p>A. Asegúrese de que haya una pieza musical tocando. Si la pieza musical está en pausa, oprima la función de reanudar para continuar.</p> <p>B. Asegúrese de que haya una pieza musical tocando proveniente de la entrada auxiliar o de un dispositivo BLUETOOTH®.</p> <p>C. Asegúrese de haber seleccionado la experiencia vibracústica.</p> <p>D. En la pantalla de intensidad en la interface de usuario desactive la función de silenciar el amplificador.</p> <p>E. Asegúrese de que el volumen esté establecido lo suficientemente alto en la interface de usuario y en el dispositivo auxiliar.</p>
5. El amplificador de control no se está conectando a un dispositivo BLUETOOTH®.	<p>A. El dispositivo BLUETOOTH® no está dentro del rango de alcance.</p> <p>B. El dispositivo no está apareado al amplificador de control.</p>	<p>A. Acerque el dispositivo BLUETOOTH® al amplificador de control. En condiciones normales, el rango de alcance máximo es 30' (9,14 m).</p> <p>B. Aparee el dispositivo al amplificador de control de acuerdo a las instrucciones de apareamiento de su dispositivo.</p>
6. La luz LED de estado está azul, pero la señal de audio es intermitente.	<p>A. El dispositivo BLUETOOTH® no está dentro del rango de alcance.</p>	<p>A. Acerque el dispositivo BLUETOOTH® al amplificador de control. En condiciones normales, el rango de alcance máximo es 30' (9,14 m).</p>

Resolución de problemas de cromoterapia (si está equipada)

Síntomas	Causa probable	Acción recomendada
1. Las luces de cromoterapia no funcionan.	<p>A. No hay suministro eléctrico al amplificador de control.</p> <p>B. Se debe restablecer el amplificador de control.</p> <p>C. El amplificador de control no funciona.</p> <p>D. Las conexiones de los cables de cromoterapia o de la interface de usuario están sueltas o dañadas.</p> <p>E. La interface de usuario no funciona bien.</p> <p>F. La función de cromoterapia no se ha seleccionado en la interface del usuario.</p> <p>G. La cromoterapia no funciona.</p>	<p>A. Restablezca el interruptor de circuito al amplificador de control, y luego verifique la fuente de suministro eléctrico y las conexiones.</p> <p>B. Desenchufe del tomacorriente el suministro eléctrico al amplificador. Espere 30 segundos, y luego enchufe la fuente de suministro eléctrico y vuelva a encender.</p> <p>C. Cambie el amplificador.</p> <p>D. Revise que las conexiones de los cables no estén flojas ni dañadas. Cambie los cables cuando sea necesario.</p> <p>E. Verifique que el cable de la interface de usuario esté bien conectado a la interface de usuario y a la conexión de la interface de usuario en el amplificador. Si las conexiones están bien, cambie la interface de usuario.</p> <p>F. Seleccione la función de cromoterapia en la interface del usuario.</p> <p>G. Reemplace el control de cromoterapia.</p>

Síntomas	Causa probable	Acción recomendada
<p>2. Las luces de cromoterapia no cambian de color en el ciclo de todos los colores.</p>	<p>A. Se debe restablecer el amplificador de control.</p> <p>B. Las conexiones de los cables de cromoterapia o de la interface de usuario están sueltas o dañadas.</p> <p>C. La interface de usuario no funciona bien.</p> <p>D. Si ninguna de las acciones recomendadas corrigen el problema, comuníquese con Kohler Co.</p>	<p>A. Desenchufe del tomacorriente el suministro eléctrico al amplificador. Espere 30 segundos, y luego enchufe la fuente de suministro eléctrico y vuelva a encender.</p> <p>B. Revise que las conexiones de los cables no estén flojas ni dañadas. Cambie los cables cuando sea necesario.</p> <p>C. Pase por todas las funciones de las luces de cromoterapia. Si las luces no pasan por el ciclo de todos los colores y el icono azul de la interface de usuario no se ilumina, cambie la interface de usuario.</p> <p>D. Comuníquese con el Centro de Atención al Cliente para obtener asistencia.</p>
<p>3. Las luces de cromoterapia se quedan bloqueadas en un color.</p>	<p>A. Se debe restablecer el amplificador de control.</p> <p>B. La interface de usuario no funciona bien.</p> <p>C. Las conexiones de los cables de cromoterapia o de la interface de usuario están sueltas o dañadas.</p> <p>D. Si ninguna de las acciones recomendadas corrigen el problema, comuníquese con Kohler Co.</p>	<p>A. Desenchufe del tomacorriente el suministro eléctrico al amplificador. Espere 30 segundos, y luego enchufe la fuente de suministro eléctrico y vuelva a encender.</p> <p>B. Pase por todas las funciones de las luces de cromoterapia. Si las luces no pasan por el ciclo de todos los colores y el icono azul de la interface de usuario no se ilumina, cambie la interface de usuario.</p> <p>C. Revise que las conexiones de los cables no estén flojas ni dañadas. Cambie los cables cuando sea necesario.</p> <p>D. Comuníquese con el Centro de Atención al Cliente para obtener asistencia.</p>

USA/Canada: 1-800-4KOHLER (1-800-456-4537)
Mexico: 001-800-456-4537
kohler.com

THE BOLD LOOK
OF **KOHLER**®

©2021 Kohler Co.



1297608-2

1297608-2-E