

KALLISTA®

Per Se® 3-Way Transfer Trim

FEATURES

- Solid metal construction for durability and reliability
- Allows bather to direct water flow
- Complements the Per Se collection

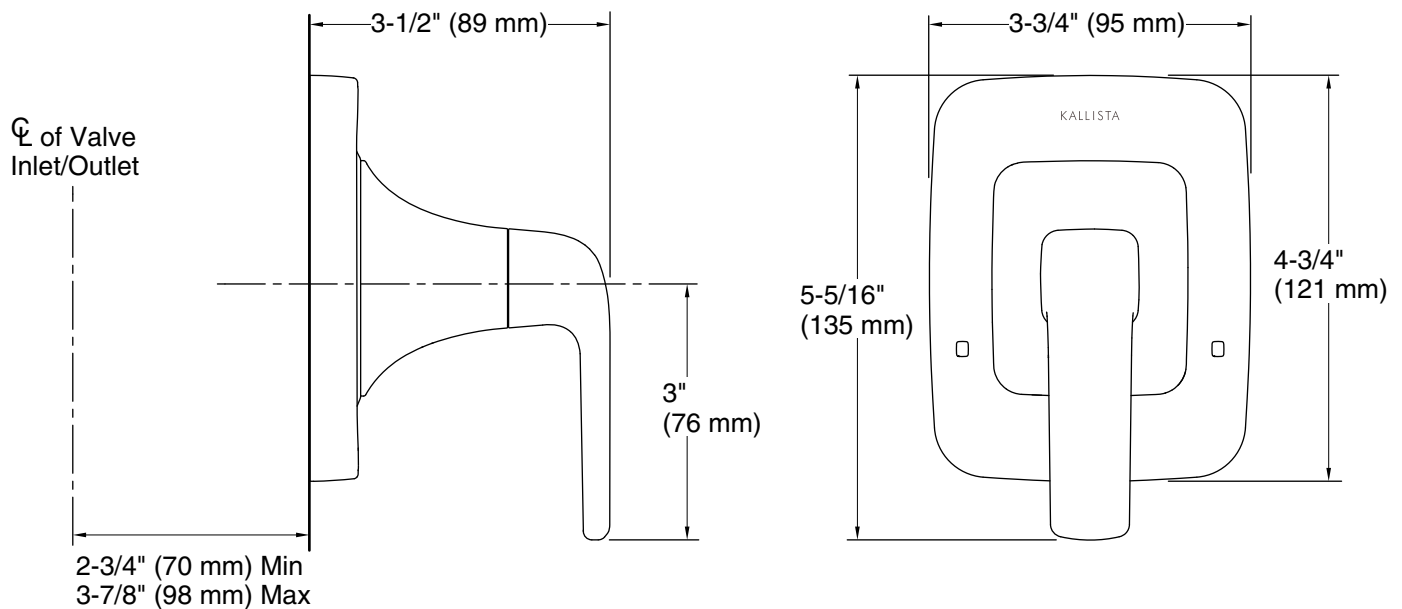
CODES/STANDARDS APPLICABLE

Specified model meets or exceeds the following:

- ASME A112.18.1/CSA B125.1
- ICC/ANSI A117.1
- ADA

P24724

ADA



SPECIFIED MODEL				
Model	Description	Finishes		
P24724-LV	Per Se 3-Way Transfer Trim, Lever Handle	<input type="checkbox"/> CP Polished Chrome	<input type="checkbox"/> AD Nickel Silver	<input type="checkbox"/> AG Brushed Nickel <input type="checkbox"/> W7 Black Nickel
Required Rough-In				
P29513-00	3-Way Transfer Valve	<input type="checkbox"/> NA		
P29514-00	3-Way Transfer Valve, Eco	<input type="checkbox"/> NA		

We reserve the right to make revisions without notice in the design of products or in packaging unless this right has specifically been waived at the time the order is accepted.