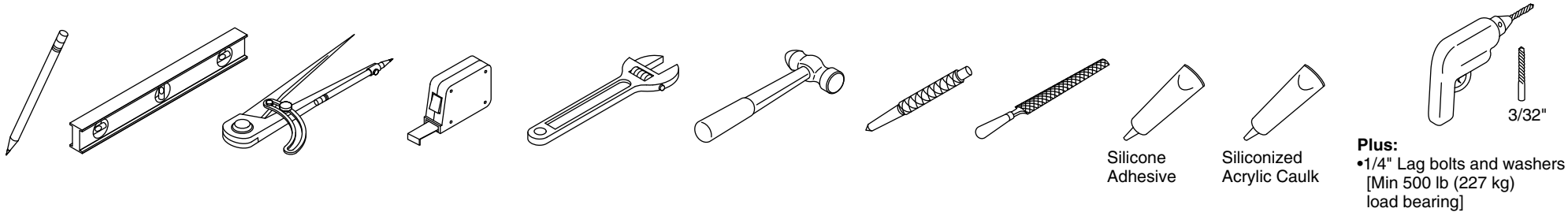
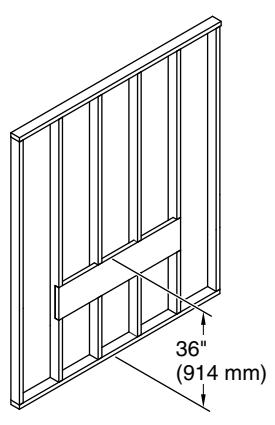
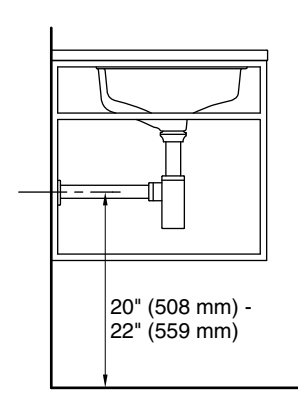
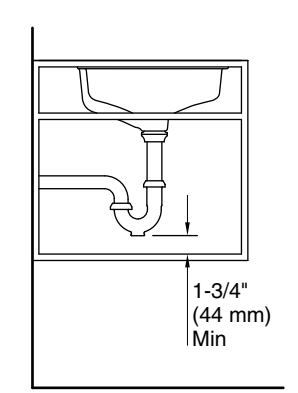
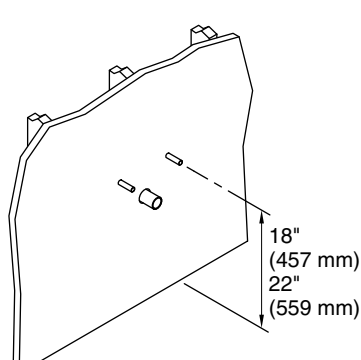
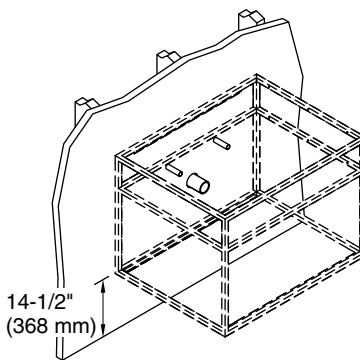
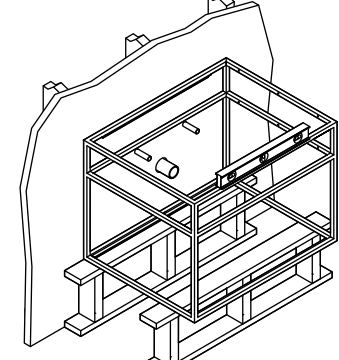
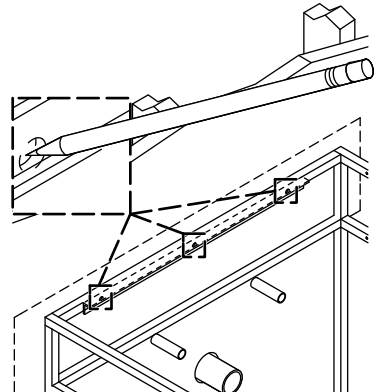
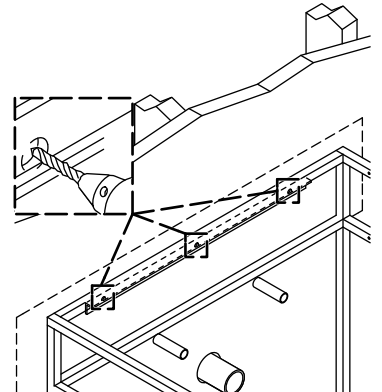
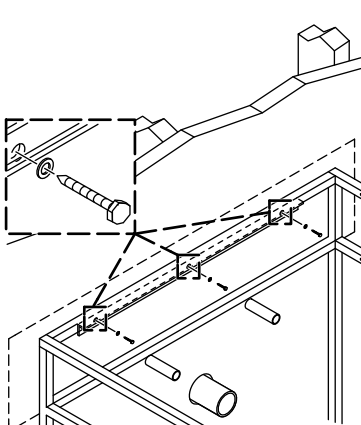
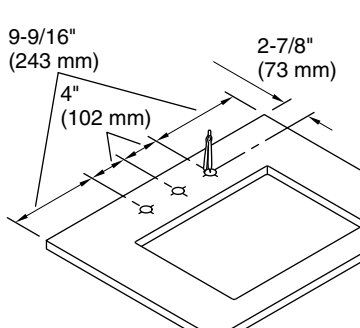
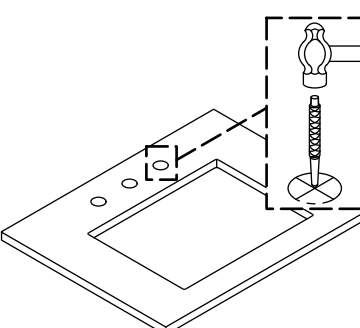
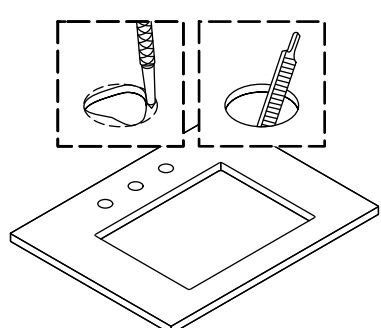
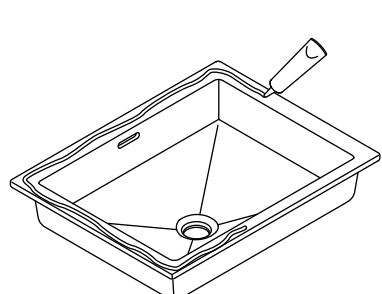


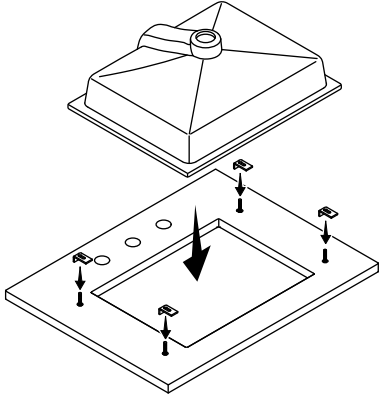
KALLISTA

Installation Guide

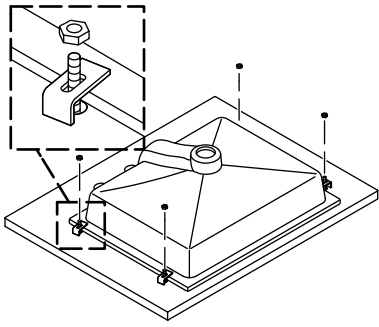


<p>Record your model number.</p>	<p>⚠ CAUTION: Risk of personal injury. Product can break, chip, and cause injury if handled carelessly. Get help lifting the lavatory.</p>	<p>⚠ CAUTION: Risk of property damage. Select 500 lb (227 kg) load bearing 1/4" lag bolts with a length to clear obstacles in the wall and 1/4" washers. Calculate proper lag bolt length by adding the following: 1-1/2" (38 mm) backing material + wallboard thickness + back rail thickness.</p>	<p>IMPORTANT! Risk of product damage. Do not modify the console. Doing so will compromise structural stability.</p>	<p>IMPORTANT! Risk of product damage. Overtightening the nuts may cause irreparable damage to the lavatory.</p>
<p>NOTICE: Siliconized acrylic caulk must be used to secure a sink or countertop to the console. Do not use 100% silicone sealant, which will damage the finish of the console.</p>	<p>Instructions are for installation to wood frame construction. For other installations, use bracing and fasteners of sufficient size and strength.</p>	<p>1 Notch the studs to accept a 2x6 support brace the same width as the console table.</p> 	<p>2 For the P21688 bottle trap: Locate the outlet 20" (508 mm) to 22" (559 mm) above the floor.</p> 	<p>3 For other trapways: Locate the outlet so that the drain tailpiece connects and the bottom of the trapway is at least 1-3/4" (44 mm) above the glass shelf.</p> 
<p>4 Locate the supplies 18" (457 mm) to 22" (559 mm) above the floor.</p> 	<p>5 Construct a temporary support for the console. The support must be 14-1/2" (368 mm) high and span the width of the console.</p> 	<p>6 With assistance, place the console in position on the support flush against the wall. Shim to level as needed.</p> 	<p>7 Mark the wall at each mounting bracket hole.</p> 	<p>8 Drill a 3/32" pilot hole through the wall and into the 2x6 bracing at each bracket hole.</p> 
<p>9 Secure the console to the wall with three 1/4" lag bolts and washers. The lag bolts must engage the 2x6 bracing behind the wall. Remove the temporary support.</p> 	<p>10 Using a compass, locate and draw an outline of the faucet holes on the top of the table.</p> 	<p>11 On the top of the table, position a punch in the center of the marked hole. Gently tap the punch with a hammer.</p> 	<p>12 Use the punch and a file to enlarge the holes as needed.</p> 	<p>13 Generously apply siliconized acrylic caulk around the rim of the sink.</p> 

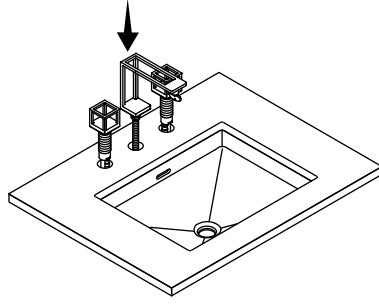
14 Place the table upside down. Position the sink over the hole. Install the clips over the fasteners.



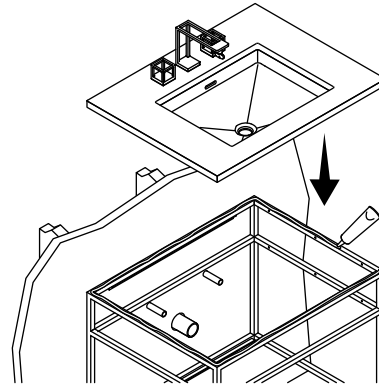
15 Rotate the clips over the rim. Tighten the nuts and trim excess fastener length. Wipe away excess sealant.



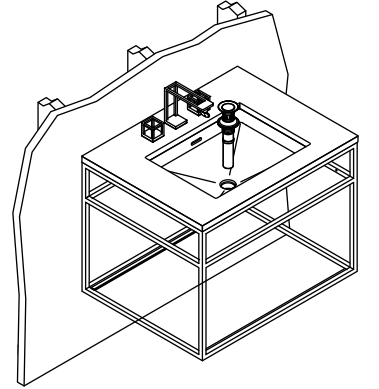
16 Install the faucet.



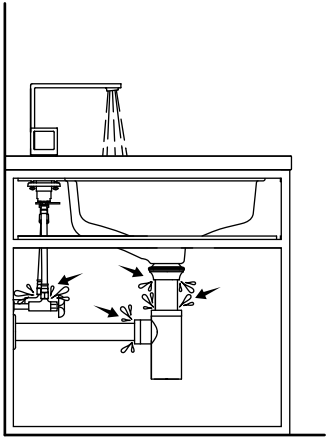
17 Apply silicone adhesive to the top of the console. Install the table.



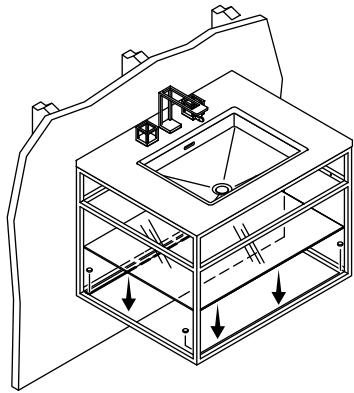
18 Install the drain.



19 Make the final faucet and drain connections. Check for leaks.



20 Place a self-adhesive bumper at each corner of the bottom shelf tray. Set the glass shelf into place on the bumpers.



21 Install optional accessories. Refer to instructions packed with accessories.