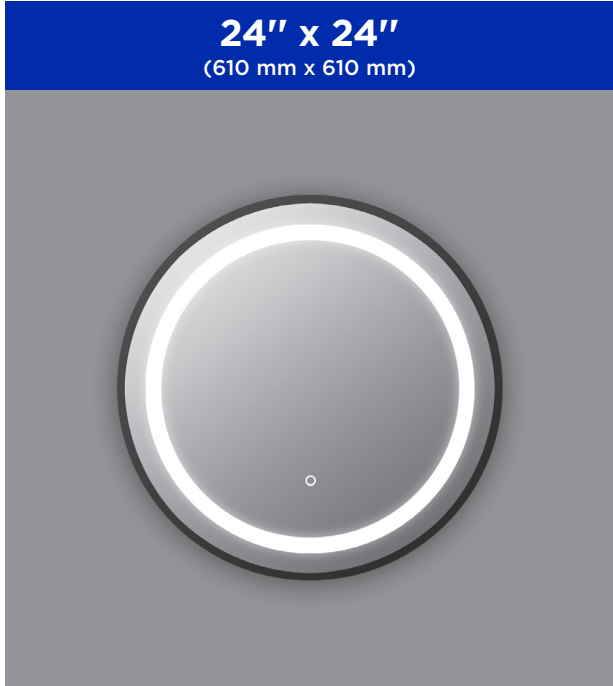


Effect

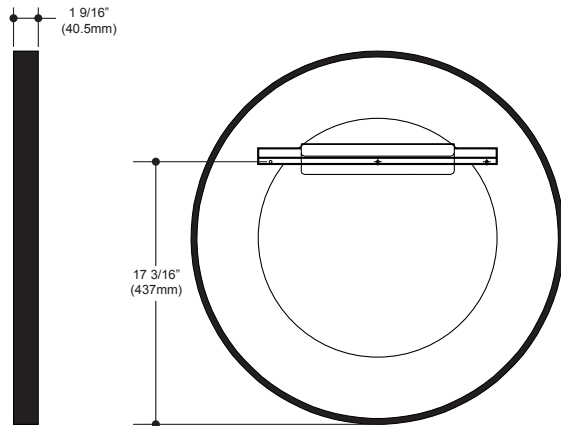
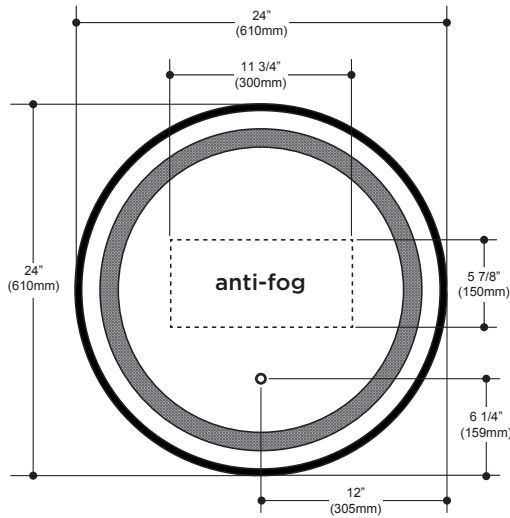
LED-illuminated round mirror with frosted strip, black frame and touch-switch for color temperature control






24" x 24"
(610 mm x 610 mm)

FEATURES	
Code	MR1781-570-001
Packaging mm (in)	730 x 720 x 90 (28.7 x 28.3 x 3.5)
Mirror thickness	4 mm
Weight kg (lb)	7.5 (16.5)
Certification	cUL _{us}
Anti-fog system	Included
Magnifying mirror (3X)	Not available
Reversible	No
Total thickness	40.5 mm (1 9/16")
Automatically opens with wall switch	Yes

LIGHTING	
Power (watt)	24.2 W
Input (volt)	120 V
Lumens	817 lm
Color temperature controlled by maintaining the touch-switch	from 2700k to 6000k
Frequency	60 Hz
Color Rendering Index (CRI)	90+



-  Touch Switch
-  Frosted strip
-  Anti-fog