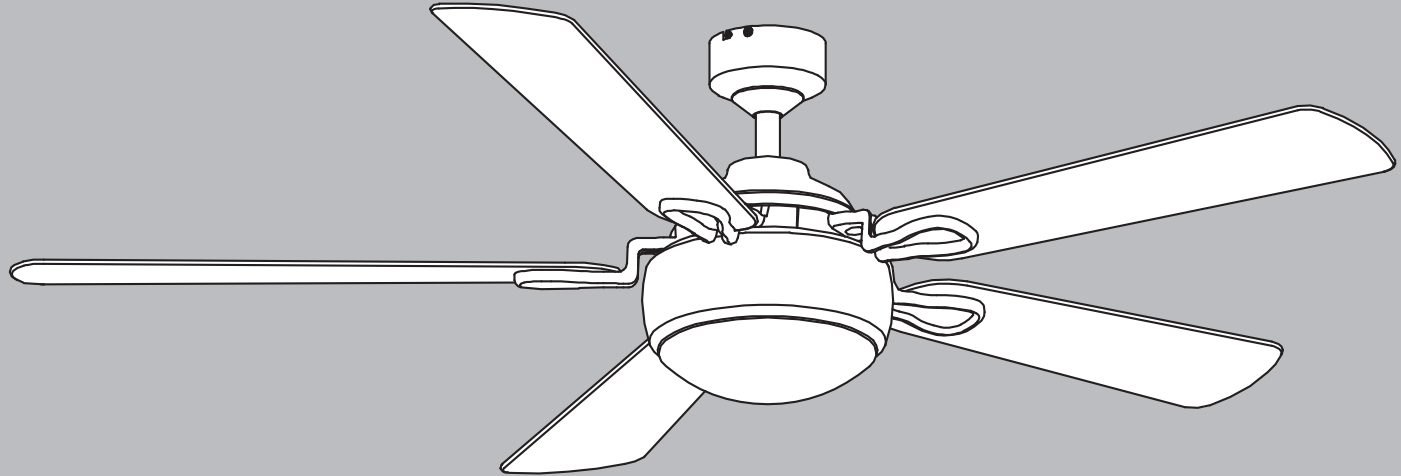


KICHLER®

60" Humble

Product images may vary slightly from actual product.



READ AND SAVE THESE INSTRUCTIONS

INSTRUCTION MANUAL
Model# 300415

REV 14-FEB-2022

Net Weight: 10.30 kgs (22.66 lbs)
Gross Weight 11.50 kgs (25.30 lbs)

TABLE OF CONTENTS

SAFETY RULES.....	4	INSTALLING THE GLASS SHADE.....	15
TOOLS AND MATERIALS REQUIRED	6	INSTALLING THE WALL CONTROL	16
PACKAGE CONTENTS.....	6	CONTROL SYSTEM SET-UP	17
MOUNTING OPTIONS.....	7	OPERATING INSTRUCTIONS	17
HANGING THE FAN	8	TROUBLESHOOTING.....	20
INSTALLATION OF SAFETY SUPPORT	11	FCC INFORMATION	21
ELECTRICAL CONNECTIONS	12		
FINISHING THE INSTALLATION	14		

SAFETY RULES

READ AND SAVE THESE INSTRUCTIONS

WARNING: FOR CANADA, THIS FAN MUST BE SECURED DIRECTLY TO THE BUILDING STRUCTURE / CEILING JOIST. DON'T SECURE THIS FAN TO AN OUTLET BOX.

- 1. CAUTION - RISK OF SHOCK-**
Disconnect power at the main circuit breaker panel or main fusebox before starting and during the installation.
- 2. WARNING:** This fixture is intended for installation in accordance with the National Electrical Code (NEC) and all local code specifications. If you are not familiar with code requirements, installation by a certified electrician is recommended.
- 3. WARNING:** To reduce the risk of fire or electric shock, use only the control provided with the fan.
- 4. WARNING:** To reduce the risk of fire, electric shock, or Personal Injury mount to an outlet box marked "Acceptable For Fan Support of up to 15.9 kg (35 lbs)". For outlet box mounting, use mounting screws (and lock washers) provided with the outlet box. Most outlet boxes commonly used for the support of light fixtures are not acceptable for fan support and may need to be replaced. Due to the complexity of the installation of this fan, a qualified licensed electrician is strongly recommended.
- 5.** All wiring must be in accordance with the National Electrical Code ANSI/NFPA 70 and local electrical codes. Electrical installation should be performed by a qualified licensed electrician.
- 6.** The outlet box and support structure must be securely mounted and capable of reliably supporting a minimum of 15.9 kg (35 pounds). Use only CUL Listed outlet boxes marked "FOR FAN SUPPORT".
- 7. WARNING: TO REDUCE THE RISK OF FIRE, ELECTRIC SHOCK OR PERSONAL INJURY, MOUNT FAN TO OUTLET BOX MARKED "ACCEPTABLE FOR FAN SUPPORT".**
- 8.** Avoid placing objects in the path of the blades.
- 9.** To avoid personal injury or damage to the fan and other items be cautious when working around or cleaning the fan.

SAFETY RULES

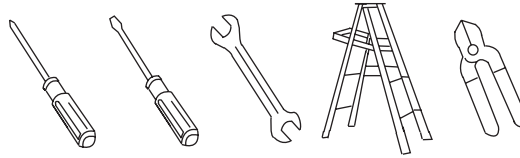
10. Do not operate reversing switch while fan blades are in motion. Fan must be turned off and blades stopped before reversing blade direction.
11. CAUTION: The fan must be mounted with a minimum of 2.1m (7 feet) clearance from the trailing edge of the blades to the floor.
12. WARNING: make sure the power is disconnected before cleaning your fan.
13. Do not use water or detergents when cleaning the fan or fan blades. A dry dust cloth or lightly dampened cloth will be suitable for most cleaning.
14. After making electrical connections, spliced conductors should be turned upward and pushed carefully up into outlet box. The wires should be spread apart with the grounded conductor and the equipment-grounding conductor on one side of the outlet box and the ungrounded conductor on the other side of the outlet box.
15. Electrical diagrams are reference only. Light kits that are not packed with the fan must be Listed and marked suitable for use with the model fan you are installing. Switches must be General Use Switches. Refer to the Instructions packaged with the light kits and switches for proper assembly.
16. Note: "All set screws must be checked, and re-tightened where necessary, before installation."

WARNING

TO REDUCE THE RISK OF PERSONAL INJURY, DO NOT BEND THE BLADE BRACKETS DURING ASSEMBLY OR AFTER INSTALLATION. DO NOT INSERT OBJECTS IN THE PATH OF THE BLADES.

TOOLS AND MATERIALS REQUIRED

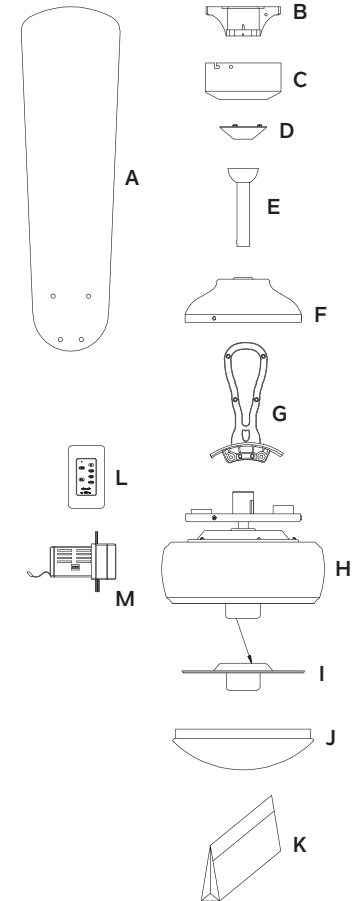
- Phillips Screwdriver
- Blade Screwdriver
- 11 mm Wrench
- Step Ladder
- Wire Cutters



PACKAGE CONTENTS

Unpack your fan and check the contents . You should have the following items:

- | | |
|--|--|
| <ul style="list-style-type: none"> A. Fan blades (5) B. Ceiling mounting bracket C. Canopy D. Canopy cover E. Ball/downrod assembly F. Coupling cover G. Set of 5 blade bracket and Pre-installed mounting screws H. Fan motor assembly I. LED module J. Glass Shade | <ul style="list-style-type: none"> K. Package hardware <ul style="list-style-type: none"> 1) Safety cable hardware: wood screw (1), flat washer (1) 2) Blade attachment hardware: screws (22), washers (22) 3) Blade bracket attachment hardware: screws (2) 4) Balance kit 5) Mounting hardware: wood screws(2), flat washers(2), star washers(2), wire nuts(3) screws(2) L. Transmitter M. Receiver |
|--|--|



MOUNTING OPTIONS

If there isn't an existing UL (cUL for Canadian Installation) listed mounting box, then read the following instructions. Disconnect the power by removing fuses or turning off circuit breakers.

Secure the outlet box directly to the building structure. Use appropriate fasteners and building materials. The outlet box and its support must be able to fully support the full weight of the fan (up to 15.9 kg (35 pounds)). Do not use plastic outlet boxes.

Figures 1, 2 and 3 are examples of different ways to mount the outlet box.

NOTE: If you are installing the ceiling fan on a sloped (vaulted) ceiling, you may need a longer downrod to maintain proper clearance between the tip of the blade and the ceiling. A minimum clearance of 12" is suggested for optimal operation.

NOTE: Depending on the location you have selected for installation, you may need to purchase and install a joist hanger for the support of the outlet box. Make sure the joist hanger you purchase has been designed for use with ceiling fans. (Fig. 4)

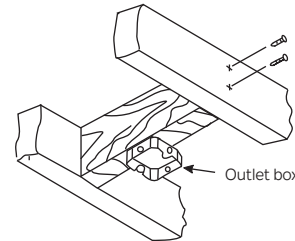


Fig. 1

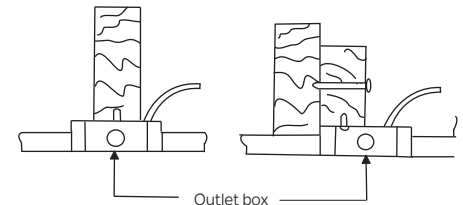


Fig. 2

**ANGLED CEILING
MAXIMUM 22° ANGLE**

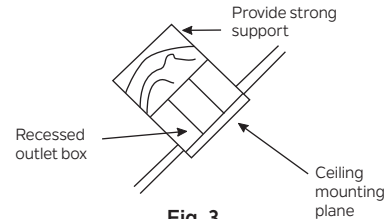


Fig. 3

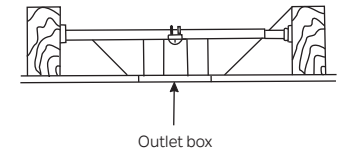


Fig. 4

HANGING THE FAN

REMEMBER to turn off the power. Follow the steps below to hang your fan properly.

NOTE: This ceiling fan is supplied with one type of hanging assembly; a standard ceiling installation using a downrod with ball and socket mounting.

Step 1. Pass the 120-volt supply wires through the center hole in the ceiling hanger bracket as shown in Fig. 5.

Step 2. Secure the hanger bracket to the ceiling outlet box with the screws and washers provided with your outlet box.

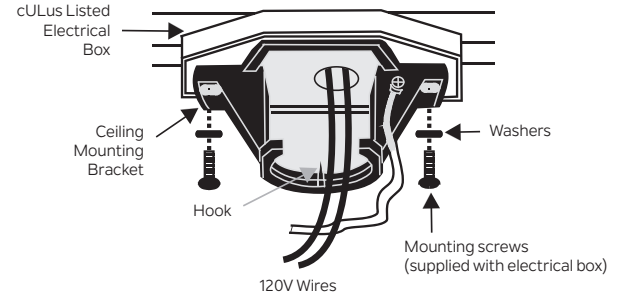


Fig. 5

HANGING THE FAN (CONTINUED)

Standard Ceiling Installation

Step 3. Press canopy cover into the holes on the bottom of canopy in place (Fig 6).

Step 4. Loosen 3 screws from the wire plate (Fig. 7)

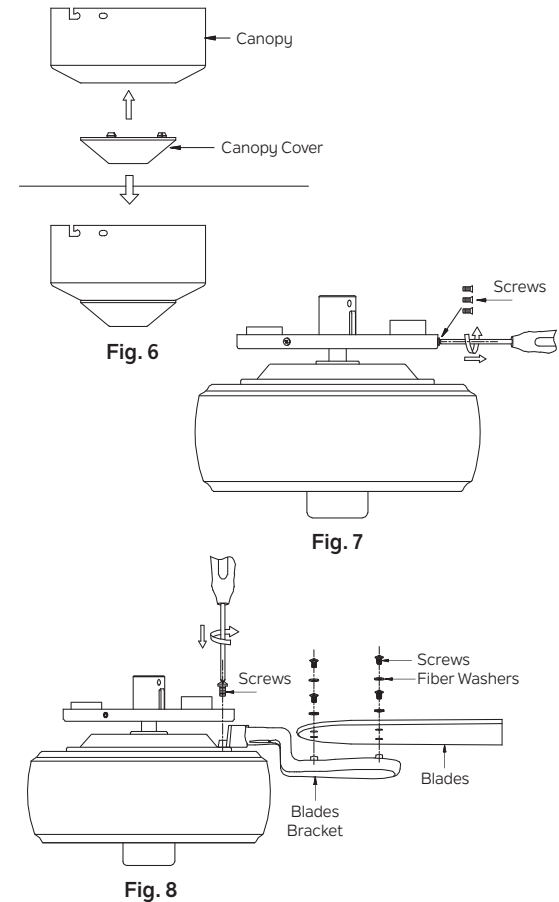
Step 5. Attach the fan blade (Fig. 8)

Caution: Remove the styrofoam blocks under the wire plate and clean up any residue in motor housing before starting installation.

- A. Fasten the blade bracket to motor using pre-installed mounting screws through the hole on wire plate.
- B. Attach the blade to the blade bracket using the screws and washers as shown in Fig 8. Start screw into bracket. Repeat for the remaining screws.
- C. Make sure the blade is straight and tighten each screw.

Step 6. Remove the hanger ball from the downrod assembly by loosening the set screw, unscrewing and removing the cross pin and unscrewing the ball off the rod. (Fig. 9)

Step 7. Loosen the two set screws and remove the hitch pin and retaining clip from the coupling on the top of the motor assembly. (Fig. 10)



HANGING THE FAN (CONTINUED)

Step 8. Slip the coupling cover, canopy cover and canopy onto the downrod. (Fig. 11)

Thread the hanger ball onto the downrod, insert the cross pin through the downrod and tighten. Tighten the set screw.

Step 9. Lift the motor assembly into position and place the hanger ball into the ceiling mounting bracket.

Step 10. Tighten three set screws on coupling cover firmly (Fig. 12)

Rotate the entire assembly until the check tab has dropped into the registration slot and seats firmly. (Fig. 13)

The entire motor assembly should not rotate (left or right) when seated properly.

WARNING: Failure to reattach the cross pin and seat the check tab can cause the fan to fall from the ceiling during operation. Take special care to make sure this pin is reattached.

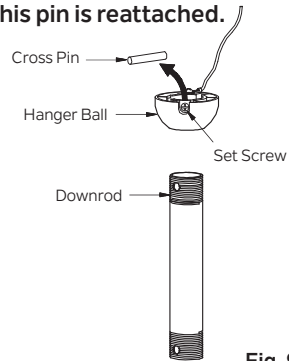


Fig. 9

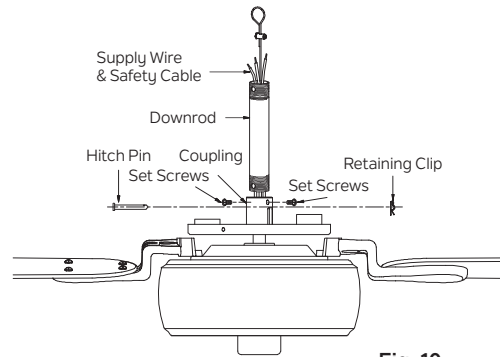


Fig. 10

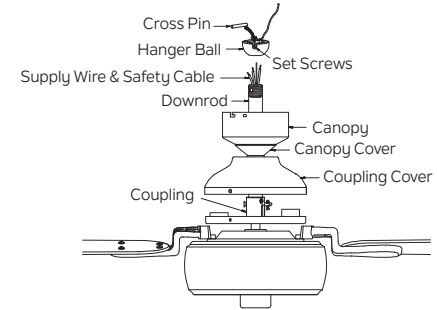


Fig. 11

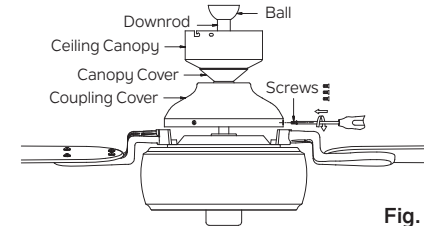


Fig. 12

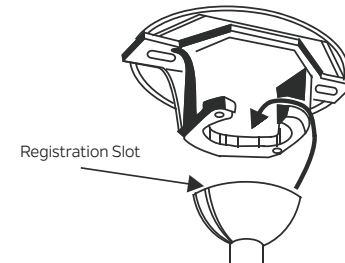


Fig. 13

INSTALLATION OF SAFETY SUPPORT (required for Canadian installation ONLY)

A safety support cable is provided to help prevent the ceiling fan from falling. Please install it as follows:

Step 1. Attach the provided wood screw and washers to the ceiling joist next to the mounting bracket but do not tighten. (Fig. 14)

Step 2. Adjust the length of the safety cable to reach the screw and washers by pulling the extra cable through the cable clamp until the overall length is correct, put the end of the cable back through the cable clamp, forming a loop at the end of the cable. Tighten the cable clamp securely. Now, put the loop in the end of the safety cable over the wood screw securely.

NOTE: Although the safety support cable is required for Canadian installations only, it's a good idea to make the attachment with any installation.

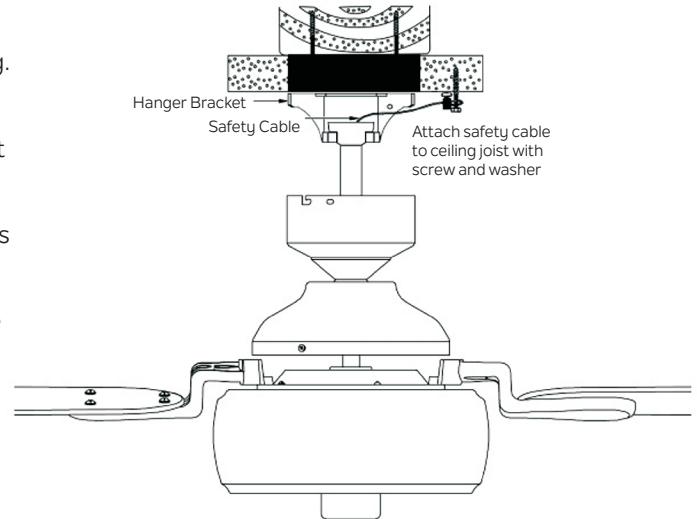


Fig. 14

ELECTRICAL CONNECTIONS

WARNING: To avoid possible electrical shock, be sure you have turned off the power at the main circuit panel.

Step 1. Once the connection has been made, the receiver inserts into the drop rod hanging bracket. The canopy comes up to cover the receiver and bracket. (Fig. 15)

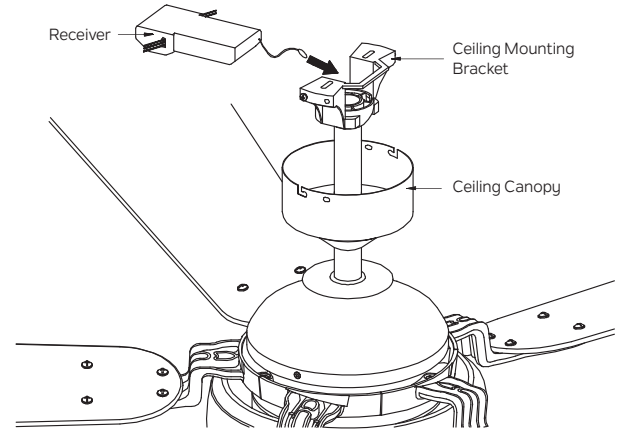


Fig. 15

ELECTRICAL CONNECTIONS (CONTINUED)

Step 2. Motor to Receiver Electrical Connections: (Fig. 16) Connect the black wire from the fan to the black wire marked “TO MOTOR L” on the receiver. Connect the white wire from the fan to the white wire marked “TO MOTOR N” on the receiver. Connect the blue wire from the fan to the blue wire marked “FOR LIGHT” on the receiver. Secure all the wire connections with the plastic wire nuts provided.

Step 3. (Fig. 16) Receiver to House Supply Wires Electrical Connections: Connect the black (hot) wire from the ceiling to the black wire marked “AC in L” from the receiver. Connect the white (neutral) wire from the ceiling to the white wire marked “AC in N” from the Receiver. Secure the wire connections with the plastic wire nuts provided.

Step 4. (Fig. 16) If your outlet box has a ground wire (green or bare copper) connect it to the fan ground wires; otherwise connect the hanging bracket ground wire to the mounting bracket. Secure the wire connection with a plastic nut provided. After connecting the wires, spread them apart so that the green and white wires are on one side of the outlet box and black and blue wires are on the other side. Carefully tuck the wire connections up into the outlet box.

NOTE: Fan must be installed at a maximum distance of 30 feet from the Remote Transmitter for optimal signal transmission between the wall control and the fan’s receiving unit.

Remember to cut off excess lead wire and safety cable from fan body before wiring in order to install receiver and canopy easily.

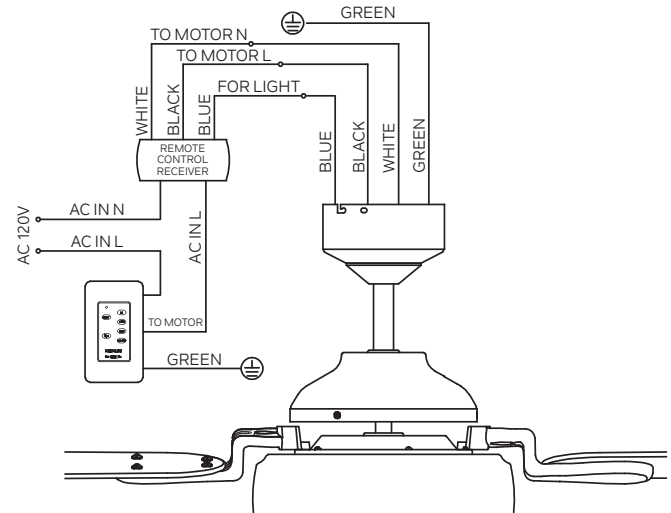


Fig. 16

FINISHING THE INSTALLATION

Standard Ceiling Installation

Step 1. Tuck all the connections neatly into the ceiling outlet box.

Step 2. Slide the canopy up to ceiling and attach the canopy to the ceiling mounting bracket using 4 screws at the top edge of the mounting bracket. Insert each screw through the canopy mounting hole and into the mounting bracket. Tighten all screws securely. (Fig. 17)

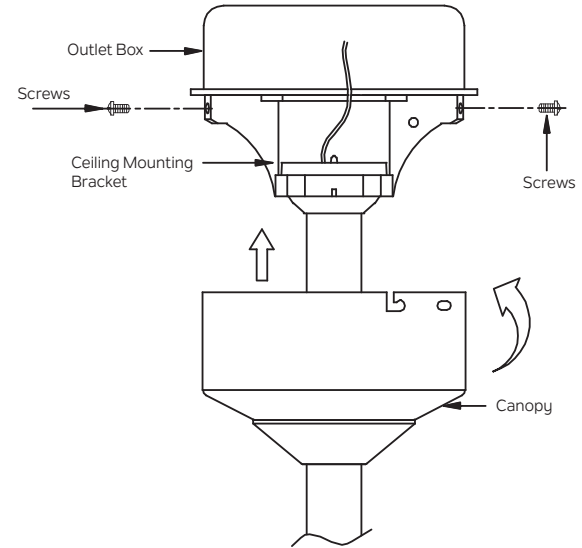


Fig. 17

INSTALLING THE GLASS SHADE

CAUTION: To reduce the risk of electric shock, disconnect the electrical supply circuit to the fan before installing glass shade.

Step 1. Raise glass shade to fan and then turn glass clock-wise until it is firmly secured. (Fig. 18)

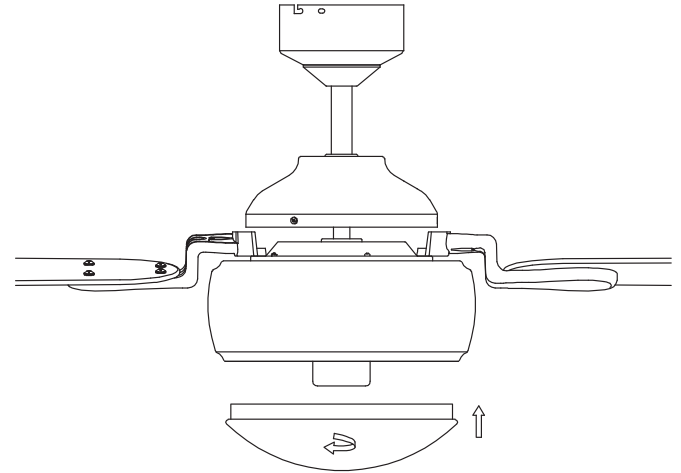


Fig. 18

INSTALLING THE WALL CONTROL

WARNING: All wiring must be in accordance with the National Electrical Code and local electrical codes. Electrical installation should be performed by a qualified licensed electrician.

WARNING: SWITCH INSTALLATION MUST COMPLY WITH ALL LOCAL AND NATIONAL ELECTRIC CODES.

WARNING: Shut off main power at the circuit breaker or fuse panel before continuing.

Step 1. Remove the existing wall plate and switch from the wall outlet box. Disconnect wires from existing switch. (Fig. 19)

Step 2. Install the wall control to the outlet box, connecting the wires with wire connectors provided. (Fig. 20)

*Connect the black wire from the outlet box that supplies power to the wall control to black wire marked "AC IN" from wall control.

*Connect the black wire from the outlet box that goes to the fan to black wire marked "TO FAN" from wall control.

*Connect the bare copper ground wire from the outlet box to bare copper ground wire from wall control.

*Connect the two white neutral wires in the outlet box together (if not already connected).

Step 3. Secure the wire connectors and make sure there are no loose strands or connections. Carefully tuck wire connections back inside outlet box and secure the wall control to outlet box with screws provided. Face plate will snap onto the transmitter.

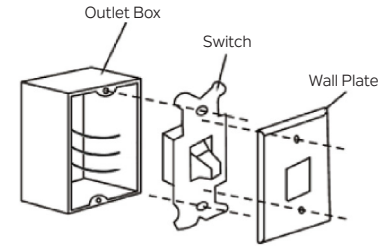


Fig. 19

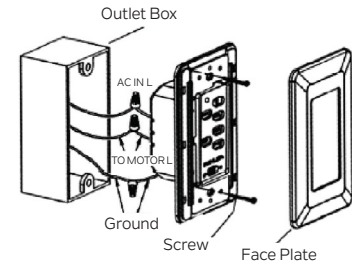


Fig. 20

CONTROL SYSTEM SET-UP

Step 1. After installation is complete, press the “LEARN” button for 3 seconds within 30 seconds after AC power is turned on. Fan will turn on at medium speed and light (if installed) will turn on. This confirms that the “SMART SYNC” setting is active and ok. (Fig. 21)

Step 2. If you cannot finish the setting within the 30 seconds time frame, the main power must be turned off and re-started again. This will repeat step 1 until the “LEARN” feature is activated as indicated.

OPERATING INSTRUCTIONS

Restore power to ceiling fan and test for proper operation (Fig. 22)

1. Fan Control: To start the fan, press the selected speed button to run the fan at the desired speed: “HI”-high speed; “MED”-medium speed; “LOW”-low speed; Press the “FAN OFF” button to turn off the fan.
2. Light button: Press once to turn the light on or off. Continuous pressure on the light button dims light in a continuous cycle from light to dark, or dark to light.
3. “REV” button: Controls fan direction, forward or reverse.
4. If your ceiling fan has fluorescent lighting, please slide the switch to “O” position. If the ceiling fan has incandescent or halogen lighting or LED, please slide the switch to “D” position.

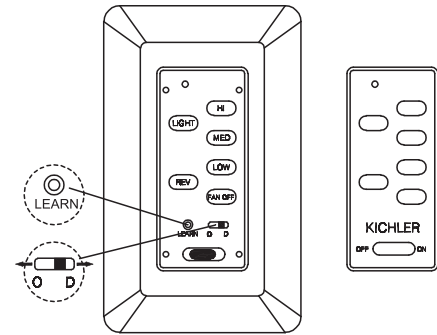


Fig. 21

OPERATING INSTRUCTIONS

Restore power to the ceiling fan and test for proper operation.

- “HI” Button** = High Speed
- “MED” Button** = Medium Speed
- “LOW” Button** = Low Speed
- “FAN OFF” Button** = Motor Off
- “LIGHT” Button** = Light ON or OFF
- “REV” Button** = The “REV” button is used to set the fan forward or reverse

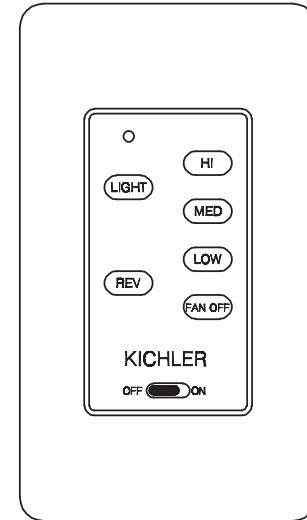


Fig. 22

OPERATING INSTRUCTIONS (CONTINUED)

Use the fan reverse switch, located on the wall control (Fig. 22), to optimize your fan for seasonal performance.

WARNING: Turn fan off with wall control system and let blades come to a complete stop before using the reverse switch.

Speed settings for warm or cool weather depend on factors such as the room size, ceiling height, number of fans and so on.

Warm Weather Operation: Forward (counter clockwise) A downward airflow creates a cooling effect as shown in Fig. 23. This allows you to set your air conditioner on a warmer setting without affecting your general comfort.

Cool Weather Operation: Reverse (clockwise). An upward airflow moves warm air off of the ceiling as shown in Fig. 24. This allows you to set your heating unit on a cooler setting without affecting your general comfort.

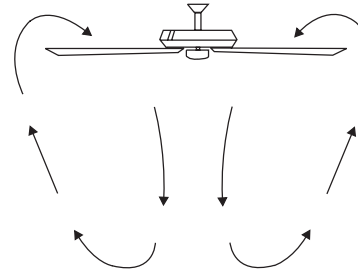


Fig. 23

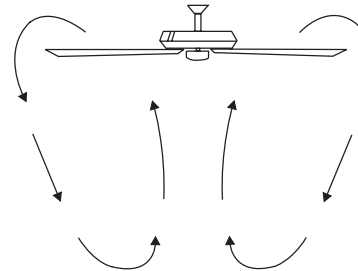


Fig. 24

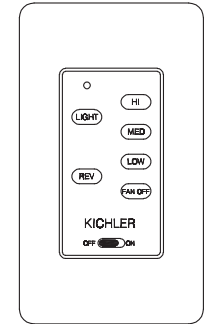


Fig. 22

TROUBLESHOOTING

Problem	Solution
Fan will not start.	<ol style="list-style-type: none">1. Check circuit fuses or breakers.2. Check all electrical connections to ensure proper contact. CAUTION: Make sure the main power is OFF when checking any electrical connection.
Fan sounds noisy.	<ol style="list-style-type: none">1. Make sure all motor housing screws are snug.2. Make sure the screws that attach the fan blade brackets to the motor are tight.3. Make sure wire nut connections are not rubbing against each other or the interior wall of the switch housing. CAUTION: Make sure main power is off.4. Allow a 24-hour “breaking-in” period. Most noise associated with a new fan disappear during this time.5. If using an optional light kit, make sure the screws securing the glassware are tight. Make sure the light bulbs are not touching any other component.6. Some fan motors are sensitive to signals from solid-state variable speed controls. If you have installed this type of control, choose and install another type of control.7. Make sure the upper canopy is a short distance from the ceiling. It should not touch the ceiling.
Fan wobble.	<ol style="list-style-type: none">1. Check that all blade and blade arm screws are secure.2. Most fan wobbling problems are caused when blade levels are unequal. Check this level by selecting a point on the ceiling above the tip of one of the blades. Measure this distance. Rotate the fan until the next blade is positioned for measurement. Repeat for each blade. The distance deviation should be equal within 1/8".3. Use the enclosed Blade Balancing Kit if the blade wobble is still noticeable.4. If the blade wobble is still noticeable, interchanging two adjacent (side by side) blades can redistribute the weight and possibly result in smoother operation.
Remote control malfunction.	<ol style="list-style-type: none">1. Ceiling Fans with remote control systems CAN NOT be operated in conjunction with any other control system EXCEPT a basic On/Off wall switch, if desired.2. Make sure the frequency dip switches in the transmitter and receiver have identical settings.3. Make sure the Black Antenna on the receiver is NOT tangled with any other electrical wires and is extended around the inside of the ceiling canopy.

WARNING: TO REDUCE THE RISK OF PERSONAL INJURY AND TO ENSURE THE PROPER OPERATION OF YOUR CEILING FAN, NEVER ATTACH THE BLADE ASSEMBLIES UNTIL THE CEILING FAN HAS BEEN MOUNTED ON THE CEILING. DO NOT BEND THE BLADE BRACKETS WHILE INSTALLING, BALANCING OR CLEANING THE FAN. DO NOT INSERT FOREIGN OBJECTS BETWEEN ROTATING FAN BLADES.

FCC Information

This device complies with part 15 of the FCC Rules. Operation is subject to the following two conditions:

- 1.) This device may not cause harmful interference, and
- 2.) This device must accept any interference received, including interference that may cause undesired operation.

Note: This equipment has been tested and found to comply with the limits for a Class B digital device, pursuant to part 15 of the FCC Rules. These limits are designed to provide reasonable protection against harmful interference in a residential installation. This equipment generates, uses and can radiate radio frequency energy and, if not installed and used in accordance with the instructions, may cause harmful interference to radio communications. However, there is no guarantee that interference will not occur in a particular installation. If this equipment does cause harmful interference to radio or television reception, which can be determined by turning the equipment off and on, the user is encouraged to try to correct the interference by one or more of the following measures:

- Reorient or relocate the receiving antenna.
- Increase the separation between the equipment and receiver.
- Connect the equipment into an outlet on a circuit different from that to which the receiver is connected.
- Consult the dealer or an experienced radio/TV technician or help.

KICHLER®

www.kichler.com

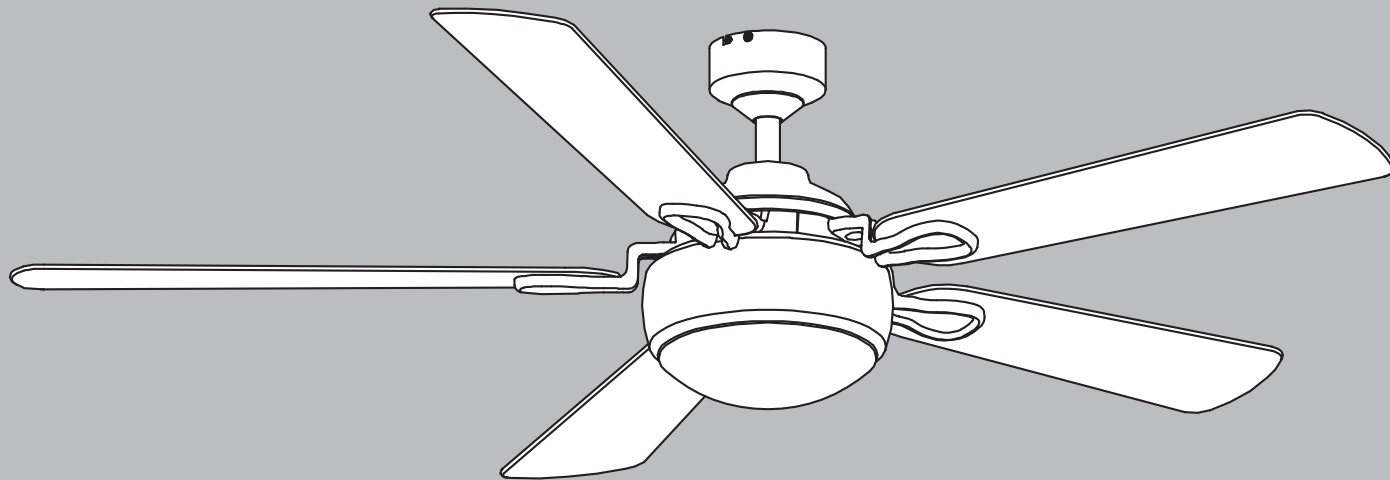
KICHLER LIGHTING LLC
7711 EAST PLEASANT VALLEY ROAD
CLEVELAND, OHIO 44131

CUSTOMER SERVICE 866.558.5706
8:00 AM TO 5:00 PM EST, MONDAY - FRIDAY

KICHLER®

Humble 152,40 cm (60 po)

Les images du produit peuvent varier légèrement par rapport au produit réel.



MANUEL D'INSTRUCTIONS
Modèle n° 300415

LISEZ ET CONSERVEZ CES INSTRUCTIONS

RÉV 14-FÉV-2022

Poids net : 10,30 kg (22,66 lb)
Poids brut : 11,47 kg (25,30 lb)

TABLE DES MATIÈRES

RÈGLES DE SÉCURITÉ	4	INSTALLATION DU PARE-VERRE.....	15
OUTILS ET MATÉRIAUX NÉCESSAIRES	6	INSTALLATION DE LA COMMANDE MURALE	16
CONTENU DU COLIS.....	6	CONFIGURATION DU SYSTÈME DE COMMANDE.....	17
OPTIONS DE MONTAGE.....	7	INSTRUCTIONS D'UTILISATION	17
SUSPENDRE LE VENTILATEUR.....	8	DÉPANNAGE	20
INSTALLATION DU SUPPORT DE SÉCURITÉ.....	11	INFORMATIONS FCC.....	21
RACCORDEMENTS ÉLECTRIQUES	12		
FIN DE L'INSTALLATION.....	14		

RÈGLES DE SÉCURITÉ

LISEZ ET CONSERVEZ CES INSTRUCTIONS

AVERTISSEMENT : POUR LE CANADA, CE VENTILATEUR DOIT ÊTRE FIXÉ DIRECTEMENT À LA STRUCTURE DU BÂTIMENT OU À LA SOLIVE DE PLAFOND. NE PAS FIXER CE VENTILATEUR À UNE BOÎTE DE SORTIE.

- 1. ATTENTION: RISQUE DE CHOC :**
Débranchez l'alimentation au panneau du disjoncteur principal ou à la boîte à fusibles principale avant de démarrer et pendant l'installation.
- 2. AVERTISSEMENT:** Ce luminaire est conçu pour être installé conformément au National Electrical Code (NEC) et à toutes les particularités du code local. Si vous n'êtes pas familier avec les exigences du code, l'installation par un électricien certifié est recommandée.
- 3. AVERTISSEMENT:** Pour réduire le risque d'incendie ou d'électrocution, utilisez uniquement la commande fournie avec le ventilateur.
- 4. AVERTISSEMENT:** Pour réduire le risque d'incendie, d'électrocution ou de blessure corporelle, montez sur un boîtier de sortie marquée « Acceptable pour un support de ventilateur de 15,9 kg (35 lb) ou moins ». Pour le montage du boîtier de sortie, utilisez les vis de montage (et les rondelles d'arrêt) fournies avec le boîtier de sortie. Il faudra probablement remplacer la boîte de sortie, car la plupart des boîtes de sortie utilisées pour soutenir des appareils d'éclairage ne sont pas acceptables pour soutenir un ventilateur.

En raison de la complexité de l'installation de ce ventilateur, un électricien agréé qualifié est fortement recommandé.
- 5. Tout le câblage doit être conforme au National Electrical Code ANSI/NFPA 70 et aux codes électriques locaux. L'installation électrique doit être effectuée par un électricien qualifié et agréé.**
- 6. La boîte de sortie et la structure de support doivent être solidement montées et capables de supporter de manière fiable un minimum de 15,9 kg (35 lb). Utilisez uniquement des boîtiers de sortie CUL portant la mention « FOR FAN SUPPORT ».**
- 7. AVERTISSEMENT : POUR RÉDUIRE LE RISQUE D'INCENDIE, D'ÉLECTROCUTION OU DE BLESSURES CORPORELLES, MONTEZ LE VENTILATEUR SUR UN BOÎTIER DE SORTIE MARQUÉE « ACCEPTABLE POUR UN SUPPORT DE VENTILATEUR ».**
- 8. Évitez de placer des objets sur la trajectoire des pales.**
- 9. Pour éviter des blessures corporelles ou des dommages au ventilateur et à d'autres éléments, soyez prudent lorsque vous travaillez autour ou nettoyez le ventilateur.**

RÈGLES DE SÉCURITÉ

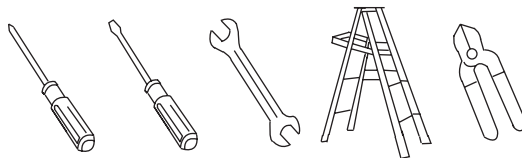
10. N'actionnez pas l'inverseur lorsque les pales du ventilateur sont en mouvement. Le ventilateur doit être éteint et les pales arrêtées avant d'inverser le sens des pales.
11. **ATTENTION** : Le ventilateur doit être monté avec un dégagement minimum de 2,1 m (7 pieds) entre le bord de fuite des pales et le sol.
12. **AVERTISSEMENT** : assurez-vous que l'alimentation est coupée avant de nettoyer votre ventilateur.
13. N'utilisez pas d'eau ou de détergents pour nettoyer le ventilateur ou les pales du ventilateur. Un chiffon sec à poussière ou un chiffon légèrement humide conviendra pour la plupart des nettoyages.
14. Après avoir effectué les raccordements électriques, les conducteurs raccordés doivent être tournés vers le haut et poussés avec précaution dans le boîtier de sortie. Les fils doivent être écartés avec le conducteur mis à la terre et le conducteur de mise à la terre de l'équipement d'un côté de la boîte de sortie et le conducteur non mis à la terre de l'autre côté de la boîte de sortie.
15. Les schémas électriques sont fournis à titre indicatif uniquement. Les kits d'éclairage qui ne sont pas fournis avec le ventilateur doivent être répertoriés et marqués pour une utilisation avec le modèle de ventilateur que vous installez. Les commutateurs doivent être des commutateurs à usage général. Reportez-vous aux instructions fournies avec les kits d'éclairage et les interrupteurs pour un assemblage correct.
16. Remarque : « Toutes les vis de réglage doivent être vérifiées et resserrées si nécessaire avant l'installation. »

AVERTISSEMENT

**POUR RÉDUIRE LES RISQUES DE BLESSURES CORPORELLES,
NE PLIEZ PAS LES PALES PENDANT LE MONTAGE OU
APRÈS L'INSTALLATION.
NE PAS INSÉRER D'OBJETS SUR LE PASSAGE DES PALES.**

OUTILS ET MATÉRIAUX NÉCESSAIRES

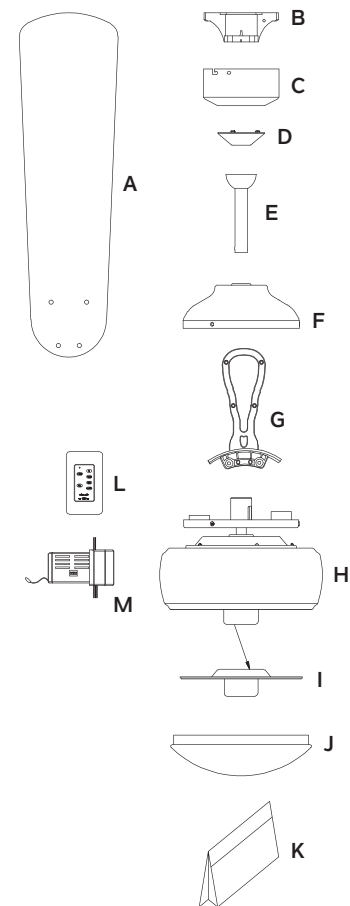
- Tournevis cruciforme
- Tournevis à lame
- Clé de 11 mm
- Escabeau
- Pincés coupantes



CONTENU DU COLIS

Déballer votre ventilateur et vérifiez le contenu. Vous devriez avoir les éléments suivants:

- A. Pales de ventilateur (5)
 - B. Support de montage au plafond
 - C. Monture
 - D. Cache de l'auvent
 - E. Ensemble boule/tige descendante
 - F. Couvercle d'accouplement
 - G. Ensemble de 5 supports de pale et vis de montage préinstallées
 - H. Ensemble moteur de ventilateur
 - I. Module LED
 - J. Abat-jour en verre
 - K. Matériel d'emballage
 - L. Émetteur
 - M. Récepteur
- 1) Quincaillerie du câble de sécurité : vis à bois (1), rondelle plate (1)
 - 2) Matériel de fixation de la pale : vis (22), rondelles (22)
 - 3) Matériel de fixation du support de pale : vis (2)
 - 4) Kit d'équilibre
 - 5) Matériel de montage : vis à bois (2), rondelles plates (2), rondelles en étoile (2), écrous de fil (3) vis (2)



OPTIONS DE MONTAGE

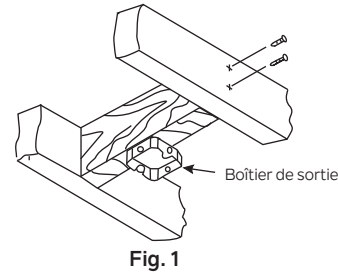
S'il n'y a pas de boîtier de montage homologué UL (cUL pour installation canadienne), lisez les instructions suivantes. Débranchez l'alimentation en retirant les fusibles ou en désactivant les disjoncteurs.

Fixez le boîtier de sortie directement à la structure du bâtiment. Utilisez des fixations et des matériaux de construction appropriés. Le boîtier de sortie et son support doivent pouvoir supporter entièrement le poids total du ventilateur (jusqu'à 15,9 kg (35 lb)). N'utilisez pas de boîtiers de sortie en plastique.

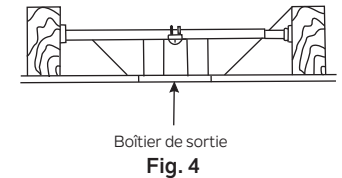
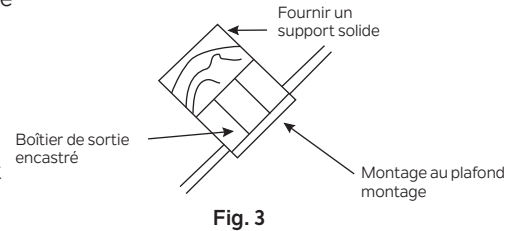
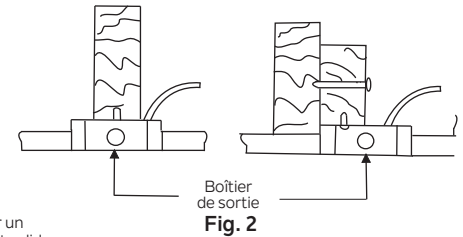
Les figures 1, 2 et 3 sont des exemples des différentes manières de monter le boîtier de sortie.

REMARQUE : Si vous installez le ventilateur de plafond sur un plafond en pente (voûté), vous aurez peut-être besoin d'une tige descendante plus longue pour maintenir un dégagement approprié entre la pointe de la pale et le plafond. Un dégagement minimum de 12" est suggéré pour un fonctionnement optimal.

REMARQUE : Selon l'endroit que vous avez choisi pour l'installation, vous devrez peut-être acheter et installer une suspente de solive pour soutenir le boîtier de sortie. Assurez-vous que la suspente de solive que vous achetez a été conçu pour être utilisé avec des ventilateurs de plafond. (Fig. 4)



PLAFOND EN ANGLE
ANGLE MAXIMUM DE 22°



SUSPENDRE LE VENTILATEUR

N'OUBLIEZ PAS de couper l'alimentation. Pour suspendre correctement votre ventilateur, suivez les étapes ci-dessous.

REMARQUE : Ce ventilateur de plafond est fourni avec un type d'assemblage suspendu ; une installation au plafond standard à l'aide d'une tige de suspension avec rotule et douille.

Étape 1. Passez les fils d'alimentation de 120 volts à travers le trou central du support de suspension au plafond, comme illustré à la Fig. 5.

Étape 2. Fixez le support de suspension à la boîte de sortie au plafond avec les vis et les rondelles fournies avec votre boîte de sortie.

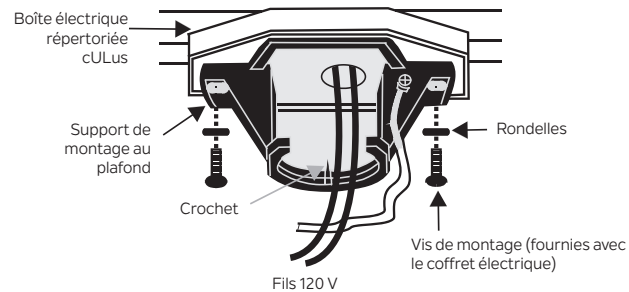


Fig. 5

SUSPENDRE LE VENTILATEUR (SUITE)

Installation standard au plafond

Étape 3. Appuyez sur le cache de l'auvent dans les trous au bas de l'auvent en place (Fig 6).

Étape 4. Desserrez 3 vis de la plaque métallique (Fig. 7)

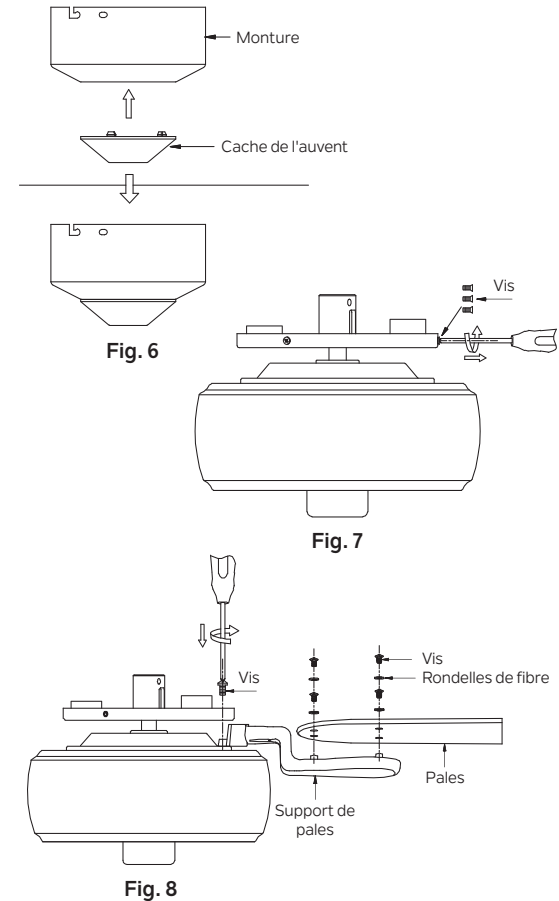
Étape 5. Fixez les pales du ventilateur (Fig. 8)

Attention : Retirez les blocs de styromousse sous la plaque métallique et nettoyez tout résidu dans le boîtier du moteur avant de commencer l'installation.

- A. Fixez le support de pale au moteur à l'aide de vis de montage préinstallées à travers le trou sur la plaque métallique.
- B. Fixez la pale au support de pale à l'aide des vis et des rondelles comme illustré à la Fig 8. Commencez à visser dans le support. Répétez l'opération pour les vis restantes.
- C. Assurez-vous que la pale est droite et serrez chaque vis.

Étape 6. Retirez la boule de suspension de l'assemblage de la tige descendante en desserrant les vis de réglage, en dévissant et retirant la goupille transversale et en dévissant la boule hors de la tige. (Fig. 9)

Étape 7. Desserrez les deux vis de réglage et retirez la goupille d'attelage et le clip de retenue de l'accouplement sur le dessus de l'ensemble moteur. (Fig. 10)



SUSPENDRE LE VENTILATEUR (SUITE)

Étape 8. Glissez le couvercle du couplage, le cache de l'auvent et l'auvent sur la tige descendante. (Fig. 11)

Enfilez la boule de suspension sur la tige descendante, insérez la tige transversale à travers la tige descendante et serrez. Serrez la vis de réglage.

Étape 9. Soulevez maintenant l'assemblage moteur et placez la boule de suspension dans le support de montage.

Étape 10. Serrez fermement les trois vis de réglage sur le couvercle d'accouplement (Fig. 12)

Faites pivoter l'ensemble jusqu'à ce que la languette de contrôle soit tombée dans la fente d'enregistrement et soit fermement en place. (Fig. 13)

L'ensemble du moteur ne doit pas tourner (à gauche ou à droite) lorsqu'il est correctement installé.

AVERTISSEMENT : Le fait de ne pas remettre en place la goupille transversale et de placer la languette de contrôle peut entraîner la chute du ventilateur du plafond pendant le fonctionnement. Veillez tout particulièrement à ce que cette goupille soit remise en place.

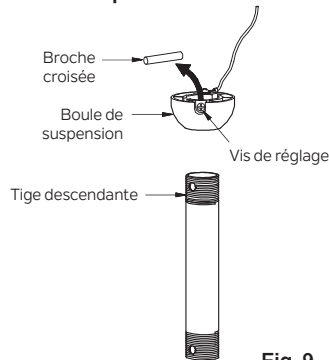


Fig. 9

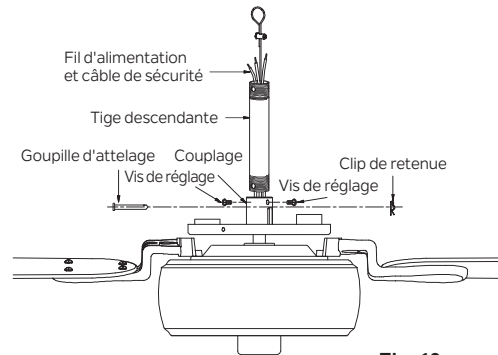


Fig. 10

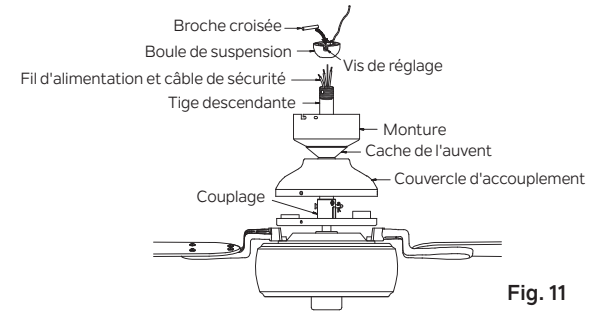


Fig. 11

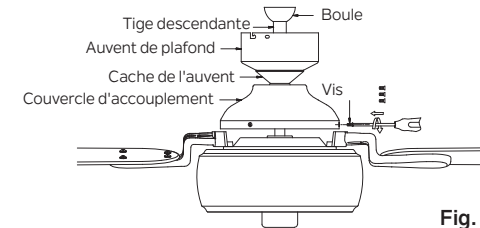


Fig. 12

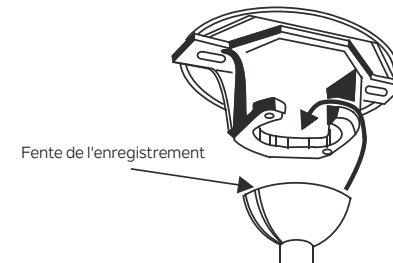


Fig. 13

INSTALLATION DU SUPPORT DE SÉCURITÉ (requis pour l'installation canadienne UNIQUEMENT)

Un câble de support de sécurité est fourni pour aider à empêcher le ventilateur de plafond de tomber. Veuillez l'installer comme suit :

Étape 1. Fixez la vis à bois et les rondelles fournies à la solive de plafond à côté du support de montage, mais ne serrez pas. (Fig. 14)

Étape 2. Ajustez la longueur du câble de sécurité pour atteindre la vis et les rondelles en tirant le câble supplémentaire à travers le serre-câble jusqu'à ce que la longueur totale soit correcte, remettez l'extrémité du câble à travers le serre-câble, formant une boucle à l'extrémité du câble. Serrez fermement le serre-câble. Maintenant, placez la boucle à l'extrémité du câble de sécurité sur la vis à bois en toute sécurité.

REMARQUE : Bien que le câble de support de sécurité ne soit requis que pour les installations au Canada, c'est une bonne idée d'effectuer la fixation avec n'importe quelle installation.

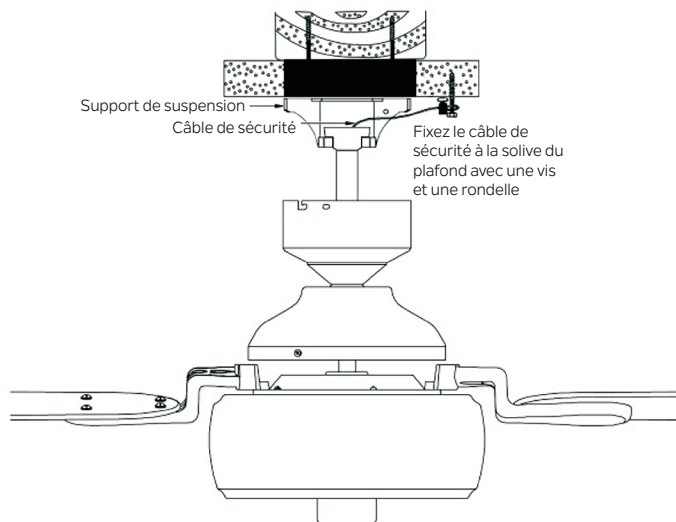


Fig. 14

CONNEXIONS ELECTRIQUES (SUITE)

Étape 2. Raccordements électriques du moteur au récepteur : (Fig. 16)
Raccordez le fil noir du ventilateur au fil noir marqué « VERS MOTEUR L » sur le récepteur. Raccordez le fil blanc du ventilateur au fil blanc marqué « VERS MOTEUR N » sur le récepteur. Raccordez le fil bleu du ventilateur au fil bleu marqué « POUR LA LUMIÈRE » sur le récepteur. Fixez tous les raccords de fils avec les écrous en plastique fournis.

Étape 3. (Fig. 16) Connexions électriques des câbles d'alimentation du récepteur à la maison : Raccordez le fil noir (chaud) du plafond au fil noir marqué « AC DANS L » depuis le récepteur. Raccordez le fil blanc (Neutre) du plafond au fil blanc marqué « AC DANS N » depuis le récepteur. Fixez tous les raccords de fils avec les écrous en plastique fournis.

Étape 4. (Fig. 16) Si votre boîtier de sortie a un fil de terre (cuivre vert ou nu), raccordez-le aux fils de terre du ventilateur ; sinon raccordez le fil de terre du ventilateur au support de montage. Fixez le raccord du fil avec un écrou en plastique fourni. Après avoir raccordé les fils, écartez-les de manière à ce que les fils vert et blanc soient d'un côté du boîtier de sortie et que les fils noirs et bleus soient de l'autre côté. Rentrez soigneusement les raccordements des fils dans le boîtier de sortie.

REMARQUE : Le ventilateur doit être installé à une distance maximale de 9,14 m (30 pieds) de l'unité de transmission pour une transmission correcte du signal entre la commande murale et l'unité de réception du ventilateur.

N'oubliez pas de couper l'excédent de fil conducteur et de câble de sécurité du corps du ventilateur avant le câblage afin d'installer facilement le récepteur et l'auvent.

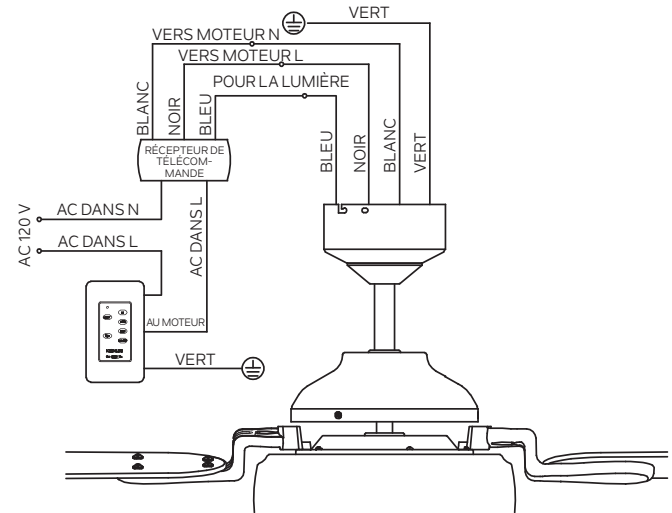


Fig. 16

FIN DE L'INSTALLATION

Installation standard au plafond

Étape 1. Rentrez soigneusement toutes les connexions dans la boîte de sortie au plafond.

Étape 2. Faites glisser l'auvent jusqu'au plafond et fixez l'auvent au support de montage au plafond à l'aide de 4 vis sur le bord supérieur du support de montage. Insérez chaque vis dans le trou de montage de la canopée et dans le support de montage. Serrez bien toutes les vis. (Fig. 17)

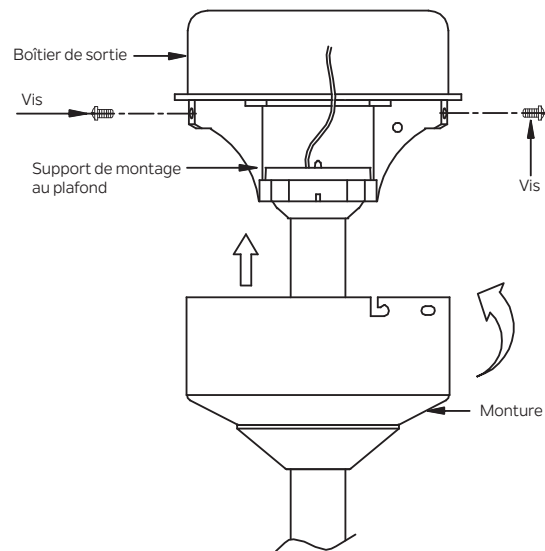


Fig. 17

INSTALLATION DE L'ABAT-JOUR

ATTENTION : Pour réduire le risque de choc électrique, débranchez le circuit d'alimentation électrique du ventilateur avant d'installer l'abat-jour.

Étape 1. Soulevez l'abat-jour en verre vers le ventilateur, puis tournez le verre dans le sens des aiguilles d'une montre jusqu'à ce qu'il soit bien fixé. (Fig. 18)

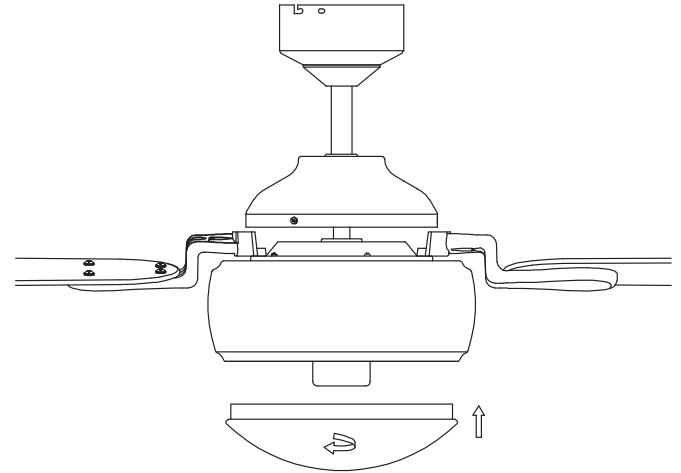


Fig. 18

INSTALLATION DE LA COMMANDE MURALE

AVERTISSEMENT : Tout le câblage doit être conforme au National Electrical Code et aux codes électriques locaux. L'installation électrique doit être effectuée par un électricien qualifié et agréé.

AVERTISSEMENT : L'INSTALLATION DE L'INTERRUPTEUR DOIT ÊTRE CONFORME À TOUS LES CODES ÉLECTRIQUES LOCAUX ET NATIONAUX.

AVERTISSEMENT : Coupez l'alimentation principale au disjoncteur ou au panneau de fusibles avant de continuer.

Étape 1. Retirez la plaque murale existante et l'interrupteur de la boîte de prise murale. Débranchez les fils de l'interrupteur existant. (Fig. 19)

Étape 2. Placez la commande murale sur la boîte de sortie, connectez les fils avec les connecteurs de fil fournis. (Fig. 20)

*Connectez le fil noir de la boîte de sortie qui alimente la commande murale au fil noir marqué « AC IN » provenant de la commande murale.

*Connectez le fil noir de la boîte de sortie qui va au ventilateur au fil noir marqué « AU VENTILATEUR » provenant de la commande murale.

*Connectez le fil de la mise à la terre en cuivre nu du boîtier de sortie au fil de la mise à la terre en cuivre nu provenant de la commande murale.

*Connectez les deux fils neutres blancs dans la boîte de sortie ensemble (s'ils ne sont pas déjà connectés).

Étape 3. Fixez les connecteurs des fils et assurez-vous qu'il n'y a pas de brins ou de connexions lâches. Remettez soigneusement les connexions des fils à l'intérieur de la boîte de sortie et fixez la commande murale à la boîte de sortie avec les vis fournies. La plaque frontale s'enclenchera sur l'émetteur.

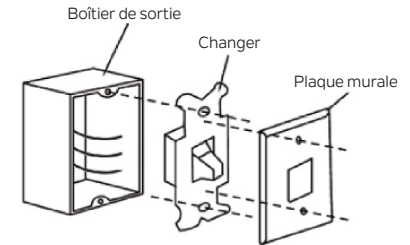


Fig. 19

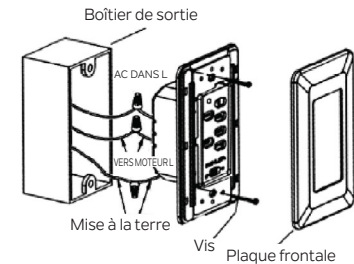


Fig. 20

CONFIGURATION DU SYSTÈME DE COMMANDE

Étape 1. Une fois l'installation terminée, appuyez sur le bouton « LEARN » et maintenez-le enfoncé pendant 3 secondes dans les 30 secondes suivant la mise sous tension. Le ventilateur s'allumera à vitesse moyenne et la lumière (si installée) s'allumera. Cela confirme que le paramètre « SMART SYNC » est actif et ok. (Fig. 21)

Étape 2. Si vous ne pouvez pas terminer le réglage dans le délai de 30 secondes, l'alimentation principale doit être coupée et redémarrée. Cela répétera l'étape 1 jusqu'à ce que la fonction « LEARN » soit activée comme indiqué.

INSTRUCTIONS D'UTILISATION

Remettez le ventilateur de plafond sous tension et testez son bon fonctionnement (Fig. 22)

1. Commande du ventilateur : Pour démarrer le ventilateur, appuyez sur le bouton de vitesse sélectionné pour faire fonctionner le ventilateur à la vitesse souhaitée : « HI » haute vitesse ; « MED » vitesse moyenne ; « LOW » vitesse basse ; Appuyez sur le bouton « FAN OFF » pour éteindre le ventilateur.
2. Bouton d'éclairage : Appuyez une fois pour allumer ou éteindre la lumière. Une pression continue sur le bouton d'éclairage atténue la lumière dans un cycle continu de clair à foncé ou de foncé à clair.
3. Bouton « REV » : Commande la direction du ventilateur, en avant ou en arrière.
4. Si votre ventilateur de plafond a un éclairage fluorescent, veuillez faire glisser l'interrupteur en position « O ». Si le ventilateur de plafond a un éclairage incandescent ou halogène ou LED, veuillez faire glisser l'interrupteur en position « D ».

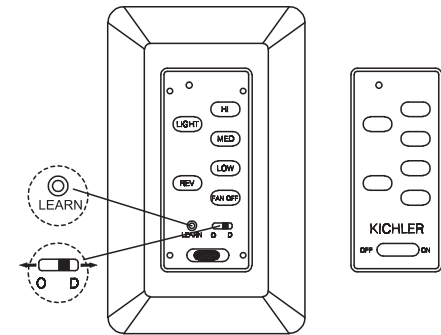


Fig. 21

INSTRUCTIONS D'UTILISATION

Remettez le ventilateur de plafond sous tension et testez son bon fonctionnement.

- Bouton « HI »** = Vitesse élevée
- Bouton « MED »** = Vitesse moyenne
- Bouton « LOW »** = Vitesse basse
- Bouton « FAN OFF »** = Moteur éteint
- Bouton « LIGHT »** = Allumer ou éteindre la lumière
- Bouton « REV »** = Le bouton « REV » est utilisé pour régler le ventilateur vers l'avant ou vers l'arrière

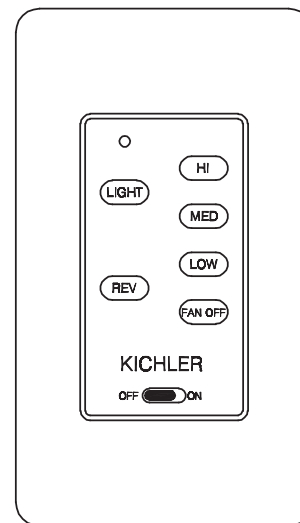


Fig. 22

MODE D'EMPLOI (SUITE)

Utilisez l'interrupteur d'inversion du ventilateur, situé sur la commande murale (Fig. 22), pour optimiser votre ventilateur pour les performances saisonnières.

AVERTISSEMENT : Éteignez le ventilateur avec le système de commande murale et laissez les pales s'arrêter complètement avant d'utiliser l'inverseur.

Le réglage de la vitesse par temps chaud ou frais dépend de facteurs tels que la taille de la pièce, la hauteur du plafond, le nombre de ventilateurs, etc.

Fonctionnement par temps chaud : Vers l'avant (dans le sens inverse des aiguilles d'une montre). Un flux d'air vers le bas crée un effet de refroidissement Fig. 23. Cela vous permet de régler votre climatiseur sur un réglage plus chaud sans affecter votre confort général.

Fonctionnement par temps frais : Inverser (sens horaire). Un flux d'air ascendant évacue l'air chaud des zones du plafond Fig. 24. Cela vous permet de régler votre unité de chauffage sur un réglage plus froid sans affecter votre confort général.

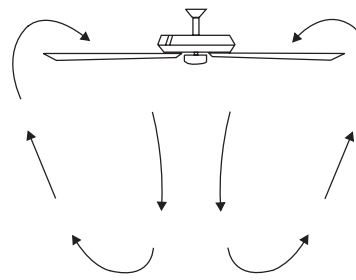


Fig. 23

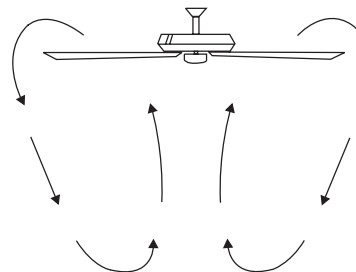


Fig. 24

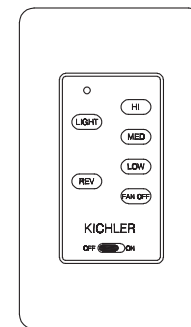


Fig. 22

DÉPANNAGE

Problème

Solution

Le ventilateur ne démarre pas.

1. Vérifiez les fusibles ou les disjoncteurs.
2. Vérifiez tous les raccordements électriques pour assurer un bon contact.
ATTENTION : Assurez-vous que l'alimentation principale est coupée lors de la vérification de tout raccordement électrique.

Le ventilateur fait du bruit.

1. Assurez-vous que toutes les vis du boîtier du moteur sont bien serrées.
2. Assurez-vous que les vis qui fixent les supports des pales du ventilateur au moteur sont bien serrées.
3. Assurez-vous que les connexions des écrous métalliques ne frottent pas les unes contre les autres ou contre la paroi intérieure du boîtier de l'interrupteur.
ATTENTION : Assurez-vous que l'alimentation principale est coupée.
4. Prévoyez une période de « rodage » de 24 heures. La plupart des bruits associés à un nouveau ventilateur disparaissent pendant ce temps.
5. Si vous utilisez un kit d'éclairage en option, assurez-vous que les vis fixant la verrerie sont bien serrées. Assurez-vous que les ampoules ne touchent aucun autre composant.
6. Certains moteurs de ventilateur sont sensibles aux signaux des commandes de vitesse variable à semi-conducteurs. Si vous avez installé ce type de commande, choisissez et installez un autre type de commande.
7. Assurez-vous que la verrière supérieure est à une courte distance du plafond. Elle ne doit pas toucher le plafond.

Le ventilateur vacille.

1. Vérifiez que toutes les vis de la pale et du bras de pale sont bien fixées.
2. La plupart des problèmes d'oscillation du ventilateur sont causés lorsque les niveaux des pales sont inégaux. Vérifiez ce niveau en sélectionnant un point sur le plafond au-dessus de la pointe de l'une des pales. Mesurez cette distance. Faites tourner le ventilateur jusqu'à ce que la pale suivante soit positionnée pour la mesure. Répétez pour chaque pale. L'écart de distance doit être égal à 1/8".
3. Utilisez le kit d'équilibrage de pale fourni si l'oscillation de la pale est toujours perceptible.
4. Si l'oscillation de la pale est toujours perceptible, interchanger deux pales adjacentes (côte à côte) peut redistribuer le poids et éventuellement entraîner un fonctionnement plus fluide.

Dysfonctionnement de la télécommande.

1. Les ventilateurs de plafond équipés de systèmes de télécommande **NE PEUVENT PAS** être utilisés avec un autre système de commande **SAUF** un interrupteur mural Marche/Arrêt de base si vous le souhaitez.
2. Assurez-vous que les commutateurs dip de fréquence de l'émetteur et du récepteur ont des réglages identiques.
3. Assurez-vous que l'antenne noire du récepteur N'est **PAS** emmêlé avec d'autres fils électriques et s'étend autour de l'intérieur du couvercle de l'auvent.

AVERTISSEMENT : POUR RÉDUIRE LE RISQUE DE BLESSURES PERSONNELLES ET POUR ASSURER LE BON FONCTIONNEMENT DE VOTRE VENTILATEUR DE PLAFOND, NE FIXEZ JAMAIS LES ENSEMBLES DE PALES TANT QUE LE VENTILATEUR DE PLAFOND N'A PAS ÉTÉ MONTÉ AU PLAFOND. NE PLIEZ PAS LES BRAS DE PALE PENDANT L'INSTALLATION, L'ÉQUILIBRAGE OU LE NETTOYAGE DU VENTILATEUR. NE PAS INSÉRER D'OBJETS ÉTRANGERS ENTRE LES PALES DU VENTILATEUR EN ROTATION.

Informations FCC

Cet appareil est conforme aux exigences de la section 15 du règlement de la FCC. Fonctionnement assujetti aux deux (2) conditions d'utilisation suivantes :

- 1.) Cet appareil ne doit pas provoquer d'interférences nuisibles, et
- 2.) Cet appareil doit accepter tous les brouillages reçus, y compris ceux pouvant causer un fonctionnement indésirable.

Remarque : Cet équipement a été testé et déclaré conforme aux limites d'un appareil numérique de classe B, conformément à la partie 15 des règles FCC. Ces limites sont conçues pour fournir une protection raisonnable contre les interférences nuisibles dans une installation résidentielle. Cet équipement génère, utilise et peut émettre de l'énergie radiofréquence et, s'il n'est pas installé et utilisé conformément aux instructions, peut provoquer des interférences nuisibles aux communications radio. Cependant, il n'y a aucune garantie que des interférences ne se produiront pas dans une installation particulière. Si cet équipement provoque des interférences nuisibles à la réception de la radio ou de la télévision, ce qui peut être déterminé en éteignant et en rallumant l'équipement, l'utilisateur est encouragé à essayer de corriger les interférences par une ou plusieurs des mesures suivantes :

- Réorientez ou déplacez l'antenne de réception.
- Augmentez l'espace entre l'équipement et le récepteur.
- Branchez l'équipement à une prise sur un circuit différent de celui auquel le récepteur est raccordé.
- Consultez le revendeur ou un technicien radio/TV expérimenté pour obtenir de l'aide.

KICHLER®

www.kichler.com

KICHLER LIGHTING LLC

7711 EAST PLEASANT VALLEY ROAD

CLEVELAND, OHIO 44131

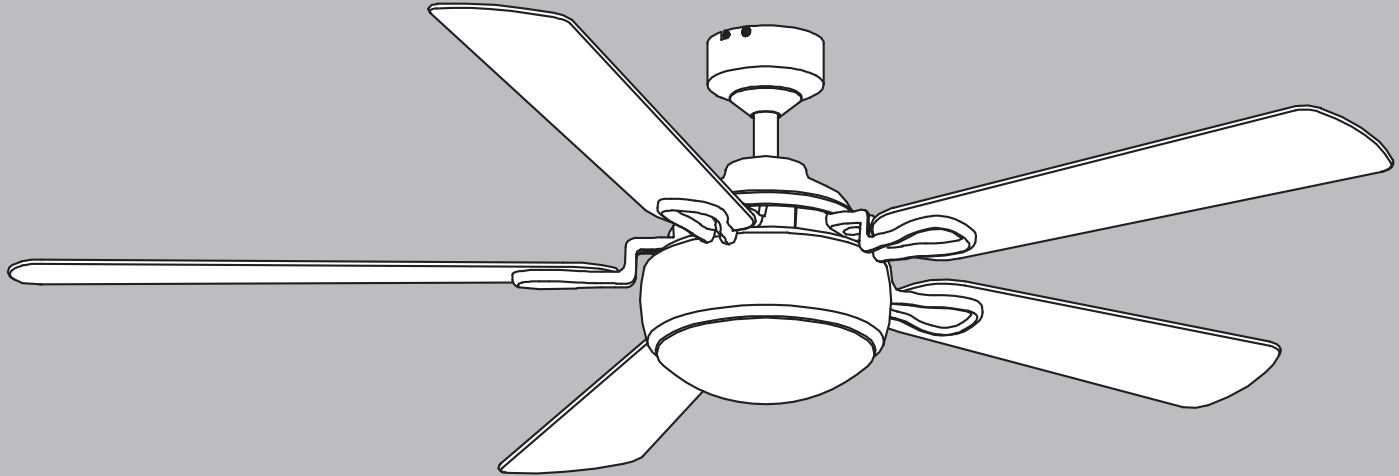
SERVICE À LA CLIENTÈLE 866.558.5706

8 h à 17 h EST, DU LUNDI AU VENDREDI

KICHLER®

60" Humble

Las imágenes del producto pueden diferir ligeramente del producto real.



MANUAL DE INSTRUCCIONES
Número de modelo 300415

LEER Y GUARDAR ESTAS INSTRUCCIONES

REV 14-FEB-2022

Peso neto: 10.30 kg (22.66 libras)
Peso bruto 11.50 kg (25.30 libras)

ÍNDICE

NORMAS DE SEGURIDAD.....	4	INSTALACIÓN DE LA PANTALLA DE VIDRIO.....	15
HERRAMIENTAS Y MATERIALES REQUERIDOS ...	6	INSTALACIÓN DEL CONTROL DE PARED	16
CONTENIDO DEL PAQUETE.....	6	CONFIGURACIÓN DEL SISTEMA DE CONTROL...	17
OPCIONES DE MONTAJE.....	7	INSTRUCCIONES DE FUNCIONAMIENTO	17
COLGAR EL VENTILADOR.....	8	RESOLUCIÓN DE PROBLEMAS	20
INSTALACIÓN DE SOPORTE DE SEGURIDAD ...	11	INFORMACIÓN DE LA FCC	21
CONEXIONES ELÉCTRICAS	12		
FINALIZACIÓN DE LA INSTALACIÓN.....	14		

NORMAS DE SEGURIDAD

LEER Y GUARDAR ESTAS INSTRUCCIONES

ADVERTENCIA: PARA CANADÁ, ESTE VENTILADOR DEBE FIJARSE DIRECTAMENTE A LA ESTRUCTURA DEL EDIFICIO/VIGA DEL TECHO. NO ASEGURE ESTE VENTILADOR A UNA CAJA DE DISTRIBUCIÓN.

- 1. PRECAUCIÓN - RIESGO DE CHOQUE:** desconecte la energía en el panel del disyuntor principal o en la caja de fusibles principal antes de comenzar y durante la instalación.
- 2. ADVERTENCIA:** Este accesorio está diseñado para su instalación de acuerdo con el Código Eléctrico Nacional (National Electrical Code, NEC) y todas las especificaciones del código local. Si no está familiarizado con los requisitos del código, se recomienda la instalación por parte de un electricista certificado.
- 3. ADVERTENCIA:** Para reducir el riesgo de incendio o descarga eléctrica, use solo el control provisto con el ventilador.
- 4. ADVERTENCIA:** Para reducir el riesgo de incendio, descarga eléctrica o lesiones personales, móntelo en una caja de salida marcada como "Aceptable para soporte de ventilador de 15.9 kg (35 libras) inclusive". Para el montaje de la caja de salida, use los tornillos de montaje (y las arandelas de seguridad) proporcionados con la caja de salida. La mayoría de las cajas de salida comúnmente usadas para sujetar apliques de luz no son aptas para uso con ventiladores y deben reemplazarse. Debido a la complejidad de la instalación de este ventilador, se recomienda enfáticamente la intervención de un electricista certificado y calificado.
- 5. Todo el cableado debe instalarse de acuerdo con el Código Eléctrico Nacional 70 del Instituto Nacional Estadounidense de Estándares (American National Standards Institute, ANSI)/Asociación Nacional de Protección contra Incendios (National Fire Protection Association) y los códigos eléctricos locales. La instalación eléctrica debe ser realizada por un electricista calificado.**
- 6. La caja de salida y la estructura de soporte deben estar montadas de manera segura y ser capaces de soportar de manera confiable un mínimo de 15.9 kg (35 libras). Use únicamente cajas de salida certificadas por CUL marcadas como "PARA SOPORTE DE VENTILADORES".**
- 7. ADVERTENCIA: PARA REDUCIR EL RIESGO DE INCENDIO, DESCARGA ELÉCTRICA O LESIONES PERSONALES, MONTE EL VENTILADOR EN UNA CAJA DE SALIDA MARCADA COMO "ACEPTABLE PARA SOPORTE DE VENTILADOR".**
- 8. Evite colocar objetos en el camino de las aspas.**
- 9. Para evitar lesiones personales o daños al ventilador y otros elementos, tenga cuidado cuando trabaje alrededor o limpie el ventilador.**

NORMAS DE SEGURIDAD

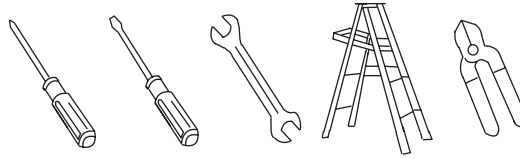
10. No opere el interruptor de inversión mientras las aspas del ventilador estén en movimiento. El ventilador debe estar apagado y las aspas detenidas antes de invertir la dirección de las aspas.
11. **PRECAUCIÓN:** El ventilador debe montarse con un espacio libre mínimo de 2.1 m (7 pies) desde el borde posterior de las aspas hasta el suelo.
12. **ADVERTENCIA:** asegúrese de que la energía esté desconectada antes de limpiar su ventilador.
13. No use agua ni detergentes para limpiar el ventilador o las aspas del ventilador. Un paño seco para el polvo o un paño ligeramente humedecido será adecuado para la mayor parte de la limpieza.
14. Después de realizar las conexiones eléctricas, los conductores empalmados deben girarse hacia arriba y empujarse con cuidado hacia la caja de salida. Los cables deben separarse con el conductor puesto a tierra y el conductor de puesta a tierra del equipo en un lado de la caja de salida y el conductor sin puesta a tierra en el otro lado de la caja de salida.
15. Los diagramas eléctricos son solo para fines de referencia. Los kits de luces que no estén empaquetados con el ventilador deben cumplir con la marca Listed y estar marcados como adecuados para usar con el modelo de ventilador que está instalando. Los interruptores deben ser interruptores de uso general. Consulte las instrucciones empaquetadas con los kits de luces e interruptores para un montaje adecuado.
16. Nota: “Todos los tornillos de fijación deben revisarse y volverse a apretar cuando sea necesario antes de la instalación”.

ADVERTENCIA

PARA REDUCIR EL RIESGO DE LESIONES PERSONALES, NO DOBLE LOS SOPORTES DE LAS ASPAS DURANTE EL MONTAJE O DESPUÉS DE LA INSTALACIÓN. NO INTRODUZCA OBJETOS EN EL CAMINO DE LAS ASPAS.

HERRAMIENTAS Y MATERIALES REQUERIDOS

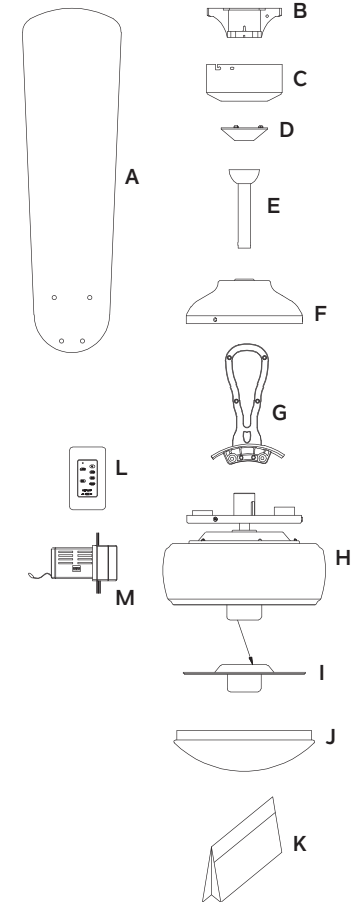
- Destornillador Phillips
- Destornillador plano
- Llave de 11 mm
- Escalera de mano
- Cortadores de alambre



CONTENIDO DEL PAQUETE

Desempaque su ventilador y verifique el contenido. Debería tener los siguientes elementos:

- A. Aspas del ventilador (5)
- B. Soporte de montaje del techo
- C. Dospel
- D. Cubierta del dosel
- E. Conjunto de bola/varilla de extensión
- F. Cubierta de acoplamiento
- G. Juego de 5 soportes para aspas y tornillos de montaje preinstalados
- H. Conjunto del motor del ventilador
- I. Módulo LED
- J. Pantalla de vidrio
- K. Accesorios del paquete
 - 1) Accesorios del cable de seguridad: Tornillo para madera (1), Arandela plana (1)
 - 2) Accesorios para la fijación del aspa: Tornillos (22), Arandelas (22)
 - 3) Accesorios de fijación del soporte del aspa: Tornillos (2)
 - 4) Equipo de equilibrio
 - 5) Accesorios de montaje: Tornillos para madera (2), Arandelas planas (2), Arandelas de estrella (2), Tuercas de alambre (3) Tornillos (2)
- L. Transmisor
- M. Receptor



OPCIONES DE MONTAJE

Si no existe una caja de montaje con certificación UL (cUL para la instalación canadiense), lea las siguientes instrucciones. Desconecte la energía quitando los fusibles o apagando los disyuntores.

Fije la caja de distribución directamente a la estructura del edificio. Utilice sujetadores y materiales de construcción adecuados. La caja de salida y su soporte deben poder soportar completamente el peso total del ventilador (hasta 15.9 kg [35 libras]). No utilice cajas de salida de plástico.

Las figuras 1, 2 y 3 son ejemplos de diferentes formas de montar la caja de salida.

NOTA: Si está instalando el ventilador de techo en un techo inclinado (abovedado), es posible que necesite una varilla de extensión más larga para mantener el espacio adecuado entre la punta del aspa y el techo. Se sugiere un espacio libre mínimo de 12" para un funcionamiento óptimo.

NOTA: Dependiendo de la ubicación que haya seleccionado para la instalación, es posible que deba comprar e instalar un colgador de viguetas para el soporte de la caja de salida. Asegúrese de que el colgador de viguetas que compre haya sido diseñado para usarse con ventiladores de techo. (Figura 4)

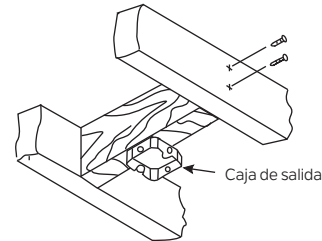


Figura 1

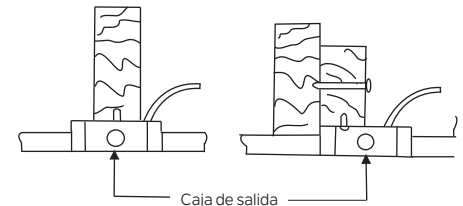


Figura 2

TECHO ANGULAR
ÁNGULO MÁXIMO DE 22°

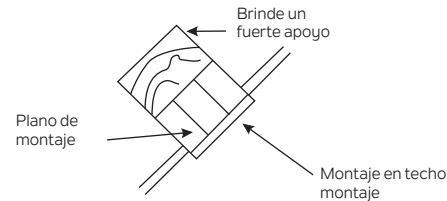


Figura 3

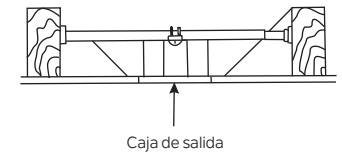


Figura 4

COLGAR EL VENTILADOR

RECUERDE desconectar la alimentación. Siga los pasos a continuación para instalar correctamente su ventilador de techo.

NOTA: Este ventilador de techo se suministra con un tipo de ensamblaje colgante; una instalación de techo estándar con una varilla de extensión con montaje de rótula.

Paso 1. Pase los cables de suministro de 120 voltios a través del orificio central en el soporte de suspensión del techo como se muestra en la Figura 5.

Paso 2. Asegure el soporte de suspensión a la caja de distribución del techo con los tornillos y arandelas provistos con su caja de salida.

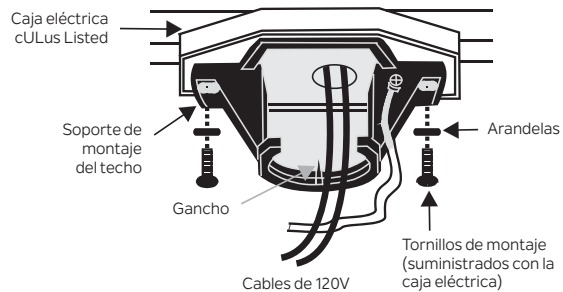


Figura 5

COLGAR EL VENTILADOR (CONTINUACIÓN)

Instalación estándar de techo

Paso 3. Presione la cubierta del dosel en los agujeros de la parte inferior del dosel instalado (Figura 6).

Paso 4. Afloje 3 tornillos de la placa de alambre (Figura 7)

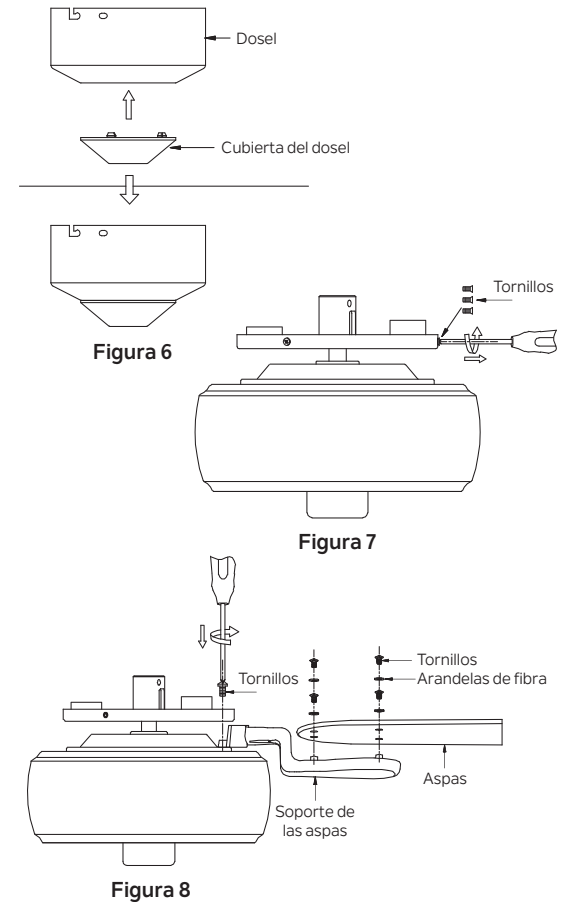
Paso 5. Colocación del asa del ventilador (Figura 8)

Precaución: Retire los bloques de espuma de poliestireno debajo de la placa de alambre y limpie cualquier residuo en la carcasa del motor antes de comenzar la instalación.

- A. Fije el soporte del asa al motor con los tornillos de montaje preinstalados a través del orificio en la placa de alambre.
- B. Fije el asa al soporte del asa con los tornillos y las arandelas como se muestra en la Figura 8. Comience a atornillar en el soporte. Repita para los tornillos restantes.
- C. Asegúrese de que la cuchilla esté recta y apriete cada tornillo.

Paso 6. Retire la bola de suspensión del conjunto de la varilla de extensión aflojando el tornillo de fijación, desatornillando y quitando el pasador transversal y desatornillando la bola para quitarla de la varilla. (Figura 9)

Paso 7. Afloje los dos tornillos de fijación y retire el pasador de enganche y el clip de retención del acoplamiento en la parte superior del conjunto del motor. (Figura 10)



COLGAR EL VENTILADOR (CONTINUACIÓN)

Paso 8. Deslice la cubierta del acoplamiento, la cubierta del dosel y el dosel por la varilla de extensión. (Figura 11)

Enrosque la bola de suspensión en la varilla de extensión, inserte el pasador transversal a través de la varilla de extensión y apriete. Apriete el tornillo de fijación.

Paso 9. Levante el conjunto del motor a su posición y coloque la bola de suspensión en el soporte de montaje.

Paso 10. Apriete firmemente los tres tornillos de fijación en la cubierta del acoplamiento (Figura 12).

Gire todo el conjunto hasta que la lengüeta de retención haya caído en la ranura de registro y se asiente firmemente. (Figura 13)

Todo el conjunto del motor no debe girar (hacia la izquierda o hacia la derecha) cuando se asiente correctamente.

ADVERTENCIA: Si no vuelve a colocar el pasador transversal y asienta la lengüeta de verificación, el ventilador puede caerse del techo durante el funcionamiento. Tenga especial cuidado para asegurarse de que este pasador se vuelva a colocar.

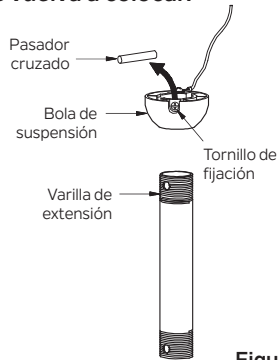


Figura 9

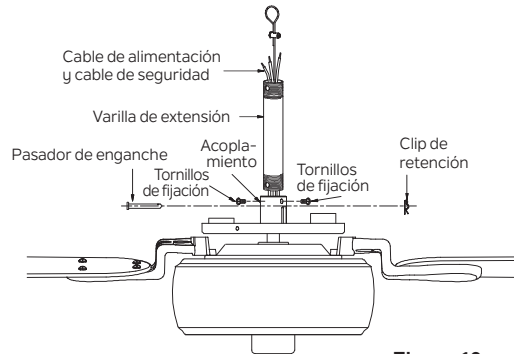


Figura 10

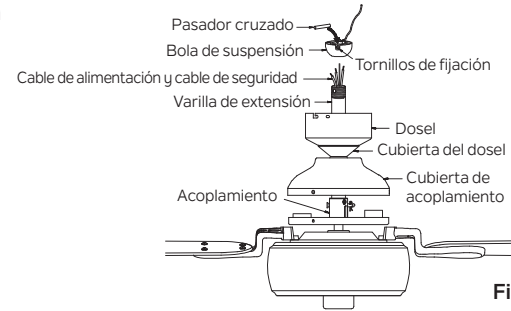


Figura 11

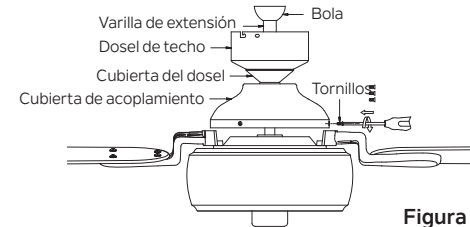


Figura 12



Figura 13

INSTALACIÓN DEL SOPORTE DE SEGURIDAD (requerido para la instalación canadiense SOLAMENTE)

El cable de soporte de seguridad se proporciona para ayudar a evitar que el ventilador de techo se caiga. Instálelo de la siguiente manera:

Paso 1. Fije el tornillo para madera y las arandelas proporcionados a la viga del techo junto al soporte de montaje, pero no los apriete. (Figura 14)

Paso 2. Ajuste la longitud del cable de seguridad para alcanzar el tornillo y las arandelas tirando del cable adicional a través de la abrazadera del cable hasta que la longitud total sea la correcta, vuelva a colocar el extremo del cable a través de la abrazadera del cable, formando un bucle en el extremo del cable. Apriete firmemente la abrazadera del cable. Ahora, coloque el lazo en el extremo del cable de seguridad sobre el tornillo para madera de manera segura.

NOTA: Aunque el cable de soporte de seguridad se requiere solo para instalaciones canadienses, se recomienda hacer esta conexión con cualquier instalación.

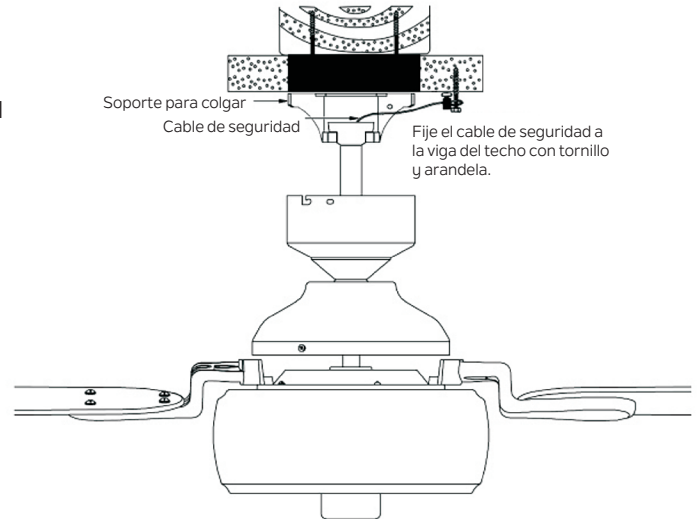


Figura 14

CONEXIONES ELÉCTRICAS

ADVERTENCIA: Para evitar posibles descargas eléctricas, asegúrese de haber desconectado la energía en el panel del circuito principal.

Paso 1. Una vez que se ha realizado la conexión, el receptor se inserta en el soporte colgante de la barra de caída. El dosel sube para cubrir el receptor y el soporte. (Figura 15)

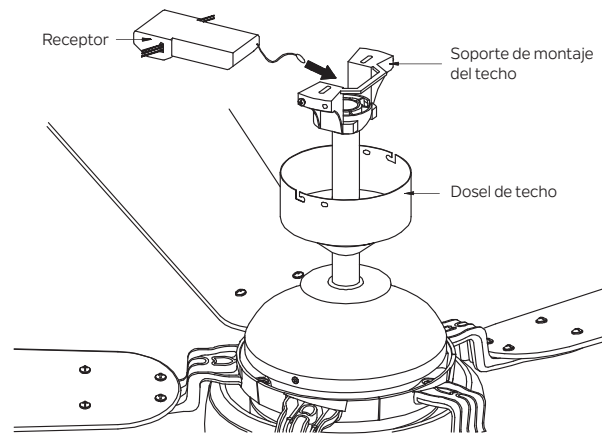


Figura 15

CONEXIONES ELÉCTRICAS (CONTINUACIÓN)

Paso 2. Conexiones eléctricas del motor al receptor: (Figura 16) Conecte el cable negro del ventilador al cable negro marcado “AL MOTOR L” (to motor l) del receptor. Conecte el cable blanco del ventilador al cable blanco marcado “AL MOTOR N” (to motor n) del receptor. Conecte el cable azul del ventilador al cable azul marcado “PARA LA LUZ” (for light) del receptor. Fije todas las conexiones de cables con las tuercas de cable de plástico provistos.

Paso 3. (Figura 16) Cables de suministro del receptor a la casa Conexiones eléctricas: Conecte el cable negro (vivo) del techo al cable negro marcado “CA DE ENTRADA L” del receptor. Conecte el cable blanco (neutro) del techo al cable blanco marcado “CA DE ENTRADA N” del receptor. Fije las conexiones de cables con las tuercas de cable de plástico provistos.

Paso 4. (Figura 16) Si su caja de salida tiene un cable de tierra (de cobre verde o desnudo) conéctelo a los cables de tierra del ventilador; de lo contrario, conecte el cable de tierra del soporte colgante al soporte de montaje. Fije la conexión del cable con una tuerca de plástico proporcionada. Después de conectar los cables, sepárelos de modo que los cables verde y blanco estén en un lado de la caja de salida y los cables negro y azul en el otro lado. Introduzca con cuidado las conexiones de cables en la caja de salida.

NOTA: El ventilador debe instalarse a una distancia máxima de 30 pies de la transmisión remota para una transmisión de señal óptima entre el control de la pared y la unidad de recepción del ventilador.

Recuerde cortar el exceso de cable conductor y cable de seguridad del cuerpo del ventilador antes de cablear para instalar fácilmente el receptor y el dosel.

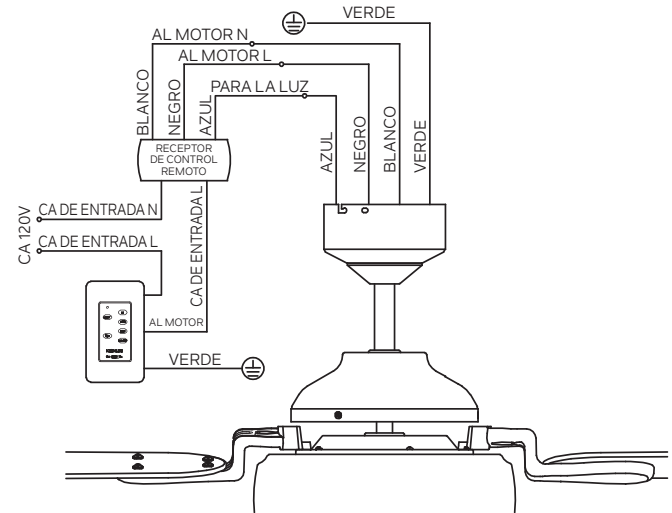


Figura 16

FINALIZACIÓN DE LA INSTALACIÓN

Instalación estándar de techo

Paso 1. Meta todas las conexiones cuidadosamente en la caja de salida del techo.

Paso 2. Deslice el dosel hasta el techo y fíjelo al soporte de montaje del techo con 4 tornillos en el borde superior del soporte de montaje del dosel y en el soporte de montaje. Inserte cada tornillo a través del orificio de montaje del dosel y en el soporte de montaje. Apriete todos los tornillos firmemente. (Figura 17)

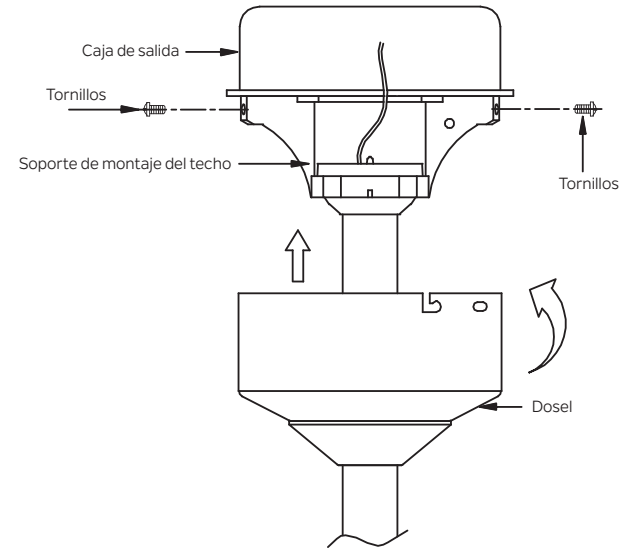


Figura 17

INSTALACIÓN DE LA PANTALLA DE VIDRIO DE VIDRIO

PRECAUCIÓN: Para reducir el riesgo de descarga eléctrica, desconecte el circuito de suministro eléctrico al ventilador antes de instalar la pantalla de vidrio.

Paso 1. Levante la pantalla de vidrio hacia el ventilador y luego gírela en el sentido de las agujas del reloj hasta que quede firmemente asegurada. (Figura 18)

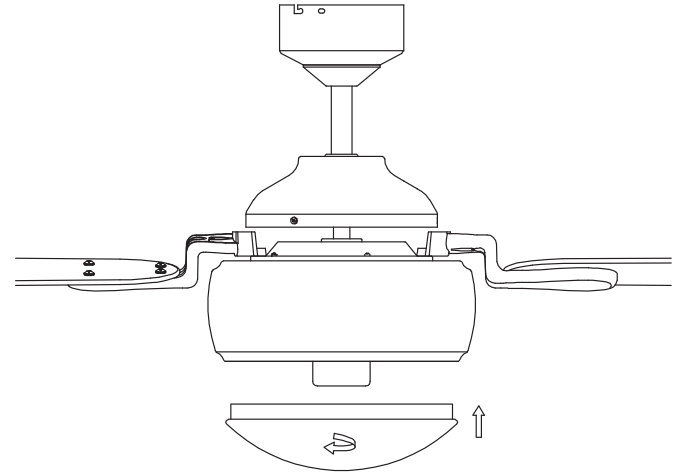


Figura 18

INSTALACIÓN DEL CONTROL DE PARED

ADVERTENCIA: Todo el cableado debe instalarse de acuerdo con el Código Eléctrico Nacional (National Electrical Code) y los códigos eléctricos locales. La instalación eléctrica debe ser realizada por un electricista calificado.

ADVERTENCIA: LA INSTALACIÓN DEL INTERRUPTOR DEBE CUMPLIR CON TODOS LOS CÓDIGOS ELÉCTRICOS LOCALES Y NACIONALES.

ADVERTENCIA: Apague la energía principal en el disyuntor o en el panel de fusibles antes de continuar.

Paso 1. Retire la placa de pared existente y el interruptor de la caja de salida de pared. Desconecte los cables del interruptor existente. (Figura 19)

Paso 2. Instale el control de pared en la caja de salida y conecte los cables con los conectores de cables provistos. (Figura 20)

*Conecte el cable negro de la caja de salida que suministra energía al control de pared al cable negro marcado "CA DE ENTRADA" del control de pared.

*Conecte el cable negro de la caja de salida al cable negro marcado "AL MOTOR L" (to fan) del control de pared.

*Conecte el cable de cobre desnudo de tierra de la caja de salida al cable de cobre desnudo de tierra del control de pared.

*Conecte los dos cables neutros blancos en la caja de salida juntos (si aún no están conectados).

Paso 3. Asegure los conectores de los cables y asegúrese de que no haya cables o conexiones sueltas. Con cuidado, vuelva a colocar las conexiones de cables dentro de la caja de salida y asegure el control de pared a la caja de salida con los tornillos proporcionados. La placa frontal encajará en el transmisor.

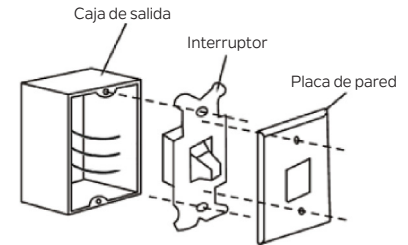


Figura 19

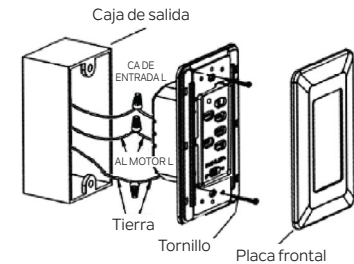


Figura 20

CONFIGURACIÓN DEL SISTEMA DE CONTROL

Paso 1. Una vez completada la instalación, presione y mantenga presionado el botón "APRENDER" (LEARN) durante 3 segundos dentro de los 30 segundos posteriores a la activación de la alimentación de CA. El ventilador se encenderá a velocidad media y la luz (si está instalada) se encenderá. Esto confirma que el ajuste "SMART SYNC" está activo y bien. (Figura 21)

Paso 2. Si no puede finalizar la configuración dentro de 30 segundos, la energía principal debe apagarse y reiniciarse de nuevo. Esto repetirá el paso 1 hasta que se active la función "APRENDER" (LEARN) como se indica.

INSTRUCCIONES DE FUNCIONAMIENTO

Restablezca la energía al ventilador de techo y pruebe que funcione correctamente (Figura 22).

1. Control del ventilador: Para encender el ventilador, presione el botón de velocidad seleccionado para hacer funcionar el ventilador a la velocidad deseada: "HI": velocidad alta; "MED": velocidad media; "LOW": velocidad baja; presione el botón "VENTILADOR APAGADO" (FAN OFF) para apagar el ventilador.
2. Botón de luz: Presione una vez para encender o apagar la luz. La presión continua sobre el botón de luz atenúa la luz en un ciclo continuo de claro a oscuro o de oscuro a claro.
3. Botón "REV": Controla la dirección del ventilador hacia adelante o marcha atrás.
4. Si su ventilador de techo tiene iluminación fluorescente, deslice el interruptor a la posición "O". Si el ventilador de techo tiene iluminación incandescente o halógena o LED, deslice el interruptor a la posición "D".

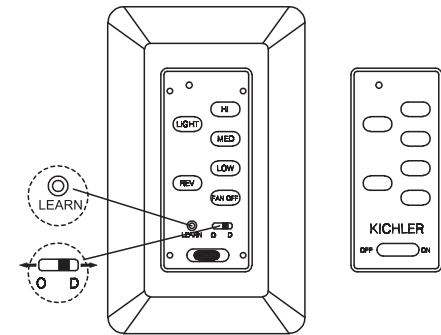


Figura 21

INSTRUCCIONES DE FUNCIONAMIENTO

Restablezca la energía al ventilador de techo y pruebe que funcione correctamente.

- Botón “HI”** = Alta velocidad
- Botón “MED”** = Velocidad media
- Botón “LOW”** = Baja velocidad
- Botón “VENTILADOR APAGADO”** = Motor apagado
- Botón “LUZ”** = Luz encendida o apagada
- Botón “REV”** = El botón “REV” se usa para configurar que el ventilador funcione hacia adelante o marcha atrás

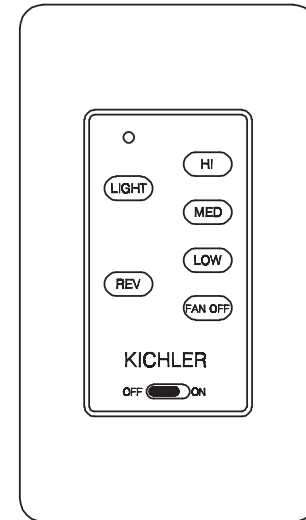


Figura 22

INSTRUCCIONES DE OPERACIÓN

(CONTINUACIÓN)

Use el interruptor de marcha atrás del ventilador, ubicado en el control de pared (Figura. 22), para optimizar su ventilador para el rendimiento estacional.

ADVERTENCIA: Apague el ventilador con el sistema de control de pared y deje que las aspas se detengan por completo antes de usar el interruptor de marcha atrás.

El ajuste de velocidad para climas cálidos o fríos depende de factores como el tamaño de la habitación, la altura del techo, la cantidad de ventiladores, etc.

Operación en clima cálido: Adelante (sentido contrario a las agujas del reloj) Un flujo de aire hacia abajo crea un efecto refrescante como se muestra en la Figura 23. Esto le permite configurar su aire acondicionado en una temperatura más cálida sin afectar su comodidad general.

Operación en clima frío: Retroceso (en sentido de las agujas del reloj). Un flujo de aire ascendente remueve el aire caliente del techo como lo muestra la Figura 24. Esto le permite configurar su unidad de calefacción en una configuración más fría sin afectar su comodidad general.

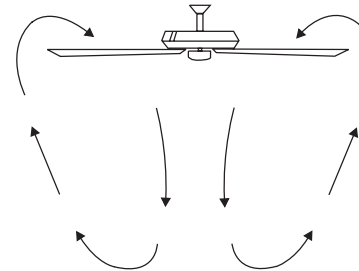


Figura 23

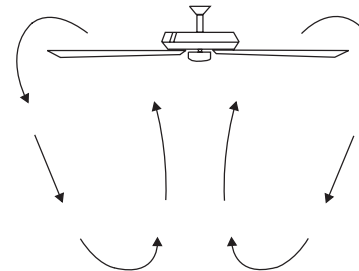


Figura 24

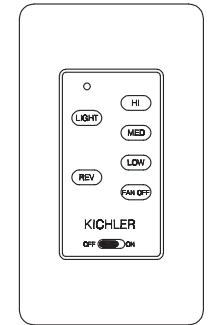


Figura 22

RESOLUCIÓN DE PROBLEMAS

Problema	Solución
El ventilador no arranca.	<ol style="list-style-type: none">1. Verifique los fusibles o disyuntores del circuito.2. Verifique todas las conexiones eléctricas para asegurar un contacto adecuado. PRECAUCIÓN: Asegúrese de que la alimentación principal esté APAGADA cuando verifique cualquier conexión eléctrica.
El ventilador suena ruidoso.	<ol style="list-style-type: none">1. Asegúrese de que todos los tornillos de la carcasa del motor estén ajustados.2. Asegúrese de que los tornillos que sujetan los soportes de las aspas del ventilador al motor estén apretados.3. Asegúrese de que las conexiones de tuercas para cables no se froten entre sí o con la pared interior de la caja del interruptor. PRECAUCIÓN: Asegúrese de que la energía principal esté apagada.4. Permita un período de "rodaje" de 24 horas. La mayor parte del ruido asociado con un ventilador nuevo desaparece durante este tiempo.5. Si usa un kit de luz opcional, asegúrese de que los tornillos que sujetan la cristalería estén bien apretados. Asegúrese de que las bombillas no toquen ningún otro componente.6. Algunos motores de ventilador son sensibles a las señales de los controles de velocidad variable de estado sólido. Si ha instalado este tipo de control, seleccione e instale otro tipo de control.7. Asegúrese de que el dosel superior esté a poca distancia del techo. No debe tocar el techo.
Oscilación del ventilador.	<ol style="list-style-type: none">1. Verifique que todos los tornillos de aspa y del brazo de aspa estén firmes.2. La mayoría de los problemas de oscilación del ventilador se deben a que los niveles de las aspas no son iguales. Compruebe este nivel seleccionando un punto en el techo por encima de la punta de una de las aspas. Mida esta distancia. Gire el ventilador hasta que se coloque la siguiente aspa para medir. Repita para cada aspa. La desviación de la distancia debe ser igual dentro de 1/8".3. Use el kit de balanceo de cuchillas adjunto si todavía se nota el bamboleo de la cuchilla.4. Si aún se nota la oscilación del aspa, intercambiar dos aspas adyacentes (una al lado de la otra) puede redistribuir el peso y posiblemente dar como resultado un funcionamiento más fluido.
Mal funcionamiento del control remoto.	<ol style="list-style-type: none">1. Los ventiladores de techo con sistemas de control remoto NO PUEDEN funcionar junto con ningún otro sistema de control, EXCEPTO un interruptor de pared de encendido/apagado básico si se desea.2. Asegúrese de que los interruptores DIP de frecuencia en el transmisor y el receptor tengan configuraciones idénticas.3. Asegúrese de que la antena negra del receptor NO esté enredado con cualquier otro cable eléctrico y se extiende alrededor del interior del dosel del techo.

ADVERTENCIA: PARA REDUCIR EL RIESGO DE LESIONES PERSONALES Y PARA ASEGURAR EL FUNCIONAMIENTO ADECUADO DE SU VENTILADOR DE TECHO, NUNCA CONECTE LOS CONJUNTOS DE LAS ASPAS HASTA QUE EL VENTILADOR DE TECHO HAYA SIDO MONTADO EN EL TECHO. NO DOBLE LOS SOPORTES DE LAS ASPAS MIENTRAS INSTALA, EQUILIBRA O LIMPIA EL VENTILADOR. NO INTRODUZCA OBJETOS EXTRAÑOS ENTRE LAS ASPAS DEL VENTILADOR GIRATORIO.

INFORMACIÓN DE LA FCC

Este dispositivo cumple con la parte 15 de las normas de la Comisión Federal de Comunicaciones (Federal Communications Commission, FCC). El funcionamiento está sujeto a las siguientes dos condiciones:

- 1.) Este dispositivo no puede causar interferencias perjudiciales, y
- 2.) Este dispositivo debe aceptar cualquier interferencia recibida, incluidas interferencias que puedan causar un funcionamiento no deseado.

Nota: Este equipo ha sido probado y cumple con los límites para un dispositivo digital de Clase B, de acuerdo con la parte 15 de las normas de la FCC. Estos límites están diseñados para proporcionar una protección razonable contra interferencias perjudiciales en una instalación residencial. Este equipo genera, usa y puede irradiar energía de radiofrecuencia y, si no se instala y usa de acuerdo con las instrucciones, puede causar interferencia dañina a las comunicaciones por radio. Sin embargo, no hay garantía de que no se produzcan interferencias en una instalación en particular. Si este equipo causa interferencia dañina en la recepción de radio o televisión, lo cual se puede determinar encendiendo y apagando el equipo, se recomienda al usuario que intente corregir la interferencia mediante una o más de las siguientes medidas:

- Reorientar o reubicar la antena receptora.
- Aumentar la separación entre el equipo y el receptor.
- Conectar el equipo a una toma de corriente en un circuito diferente al que está conectado el receptor.
- Consulte con el distribuidor o con un técnico de radio/TV experimentado para obtener ayuda.

KICHLER®

www.kichler.com

KICHLER LIGHTING LLC
7711 EAST PLEASANT VALLEY ROAD
CLEVELAND, OHIO 44131

SERVICIO AL CLIENTE 866.558.5706
8:00 AM A 5:00 PM EST, DE LUNES A VIERNES