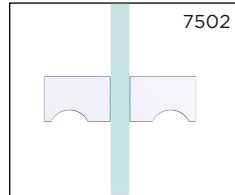


## BERLIN COLLECTION DOUBLE SDH KNOB 2327502

7502



Mounting  
Options



**PRODUCT NAME:** DOUBLE SDH KNOB

**PRODUCT CODE:** 2327502

**MATERIAL:** All-brass construction

**KEY FEATURES:** Contemporary design with solid bold rectangular geometry.

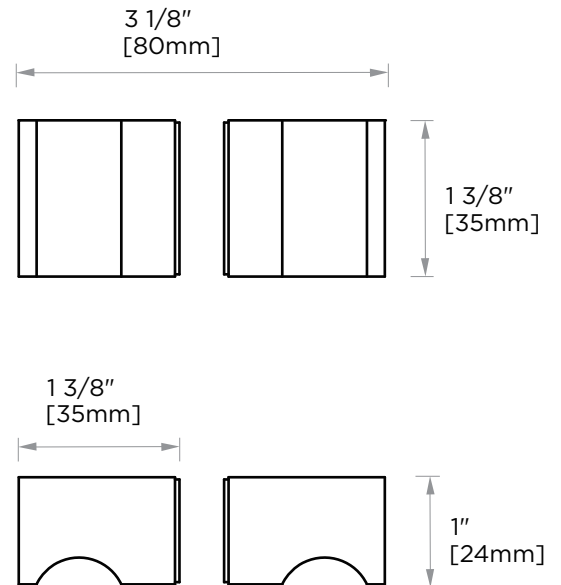
**STOCKED FINISHES:**

- Polished Chrome (99)
- Brushed Nickel (81)
- Matte Black (48)

**SPECIAL FINISHES AVAILABLE:** Please see our website for full list samples

**WARRANTY:**

Lifetime Limited (Residential Use)  
One Year (Commercial Use)



NOTE: Dimensions and specifications are subject to change without notice.