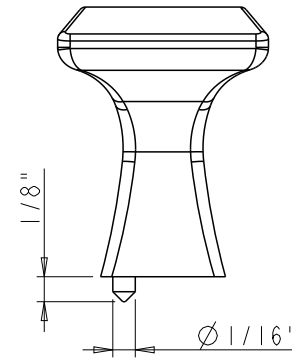
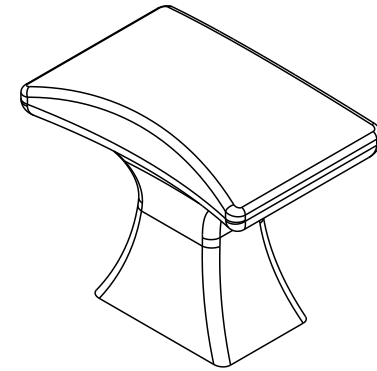
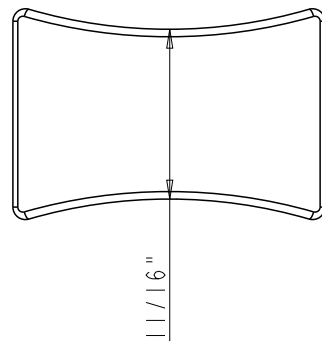
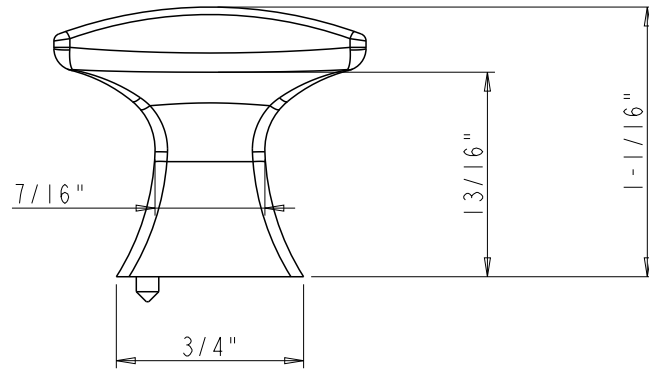
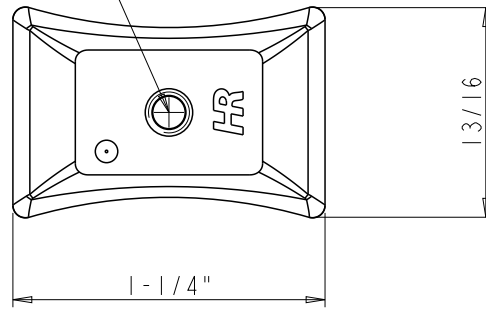

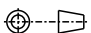


8-32 UNC - ∇ 1/2"



| | | | | | |
|--|---|-----|---------------------------|---|--|
|  | ITEM#: | 767 | | MATERIAL: | ZINC |
| | FINISH: | | | WEIGHT: | 68 g |
| PROPRIETARY AND CONFIDENTIAL THE INFORMATION CONTAINED IN THIS DRAWING IS THE SOLE PROPERTY OF HARDWARE RESOURCES INC. ANY REPRODUCTION IN PART OR AS A WHOLE WITHOUT THE WRITTEN PERMISSION OF HARDWARE RESOURCES INC. IS PROHIBITED. | TOLERANCE UNLESS OTHERWISE SPECIFIED: X ±0.20 XX ±0.10 XXX ±0.05 ANGULAR: ±0.6° | | UNITS: SIZE: SHEET: | DRAWN BY: Alexander.W APPROVED BY: | DATE: Mar-21-19 DATE: REVISION: |
| DO NOT SCALE DRAWING | 1 OF 1 | | RELEASE LEVEL: | PROJECTION  | |