

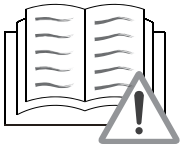
INSTALLATION INSTRUCTIONS

Flat Dream Light Chromatherapy Water Feature Rain Canopy

Part #'s: 4040-DLCT, 40R-DLCT, 4020-DLCT

JACLO®

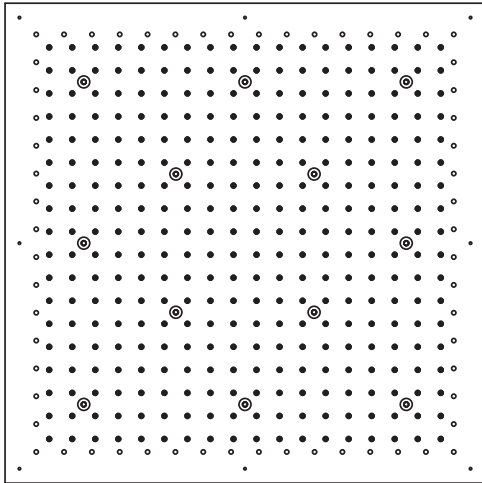
Confidence from start to finish.®



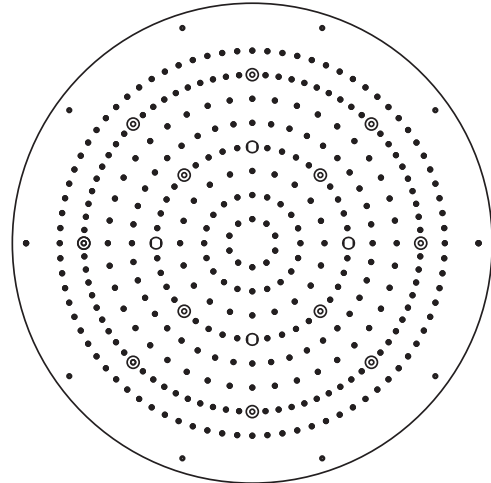
Read
carefully



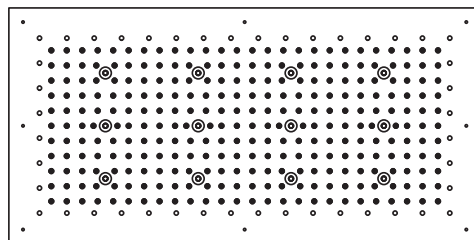
Wear
protective gloves



4040-DLCT



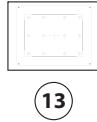
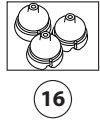
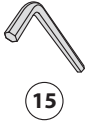
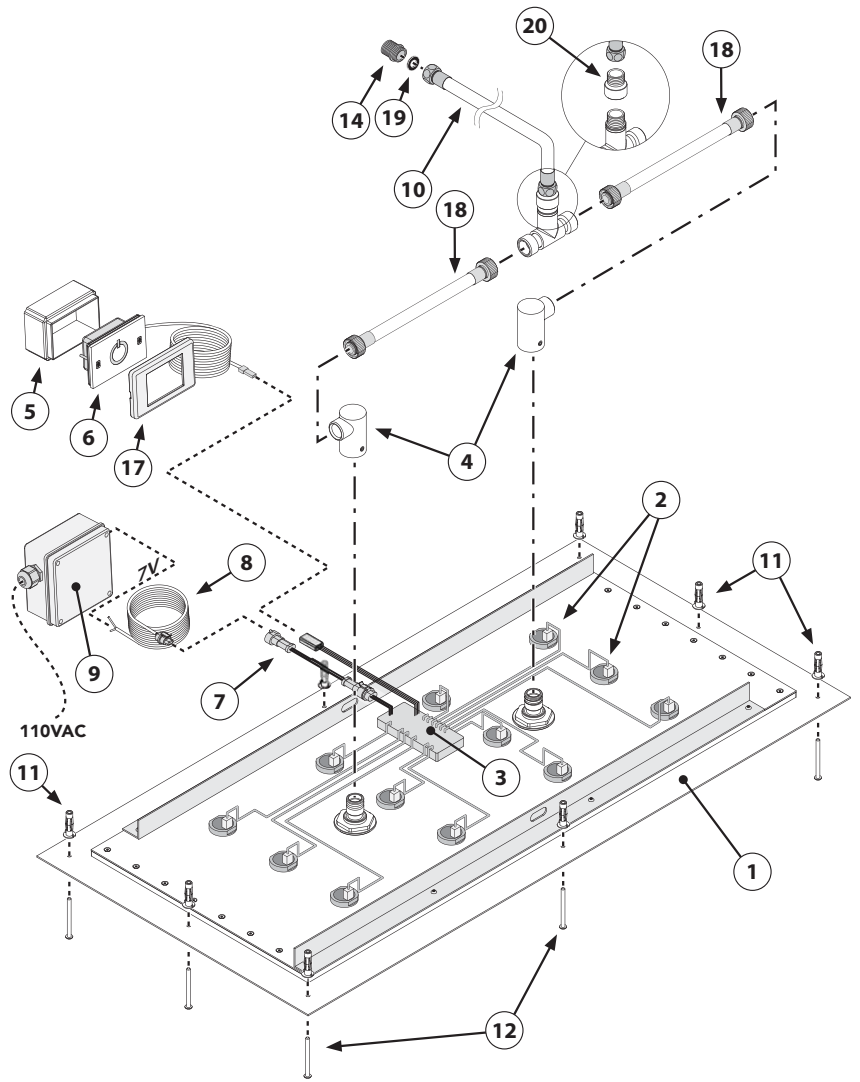
40R-DLCT



4020-DLCT

Parts

1. Stainless steel shower head
2. LED
3. IP66 / IP67 electronic board
4. Quick coupling connector to shower head
5. Recessed enclosure
6. Control keypad with 3m cable (other lengths available on request)
7. Connector with fuse
8. 7V connection cable - 5m long (other lengths available on request)
9. Power supply unit
10. Flexible hose 2 m 1/2"F X 1/2"F
11. False-ceiling plugs
12. Screws
13. Template
14. Adaptor connection 1/2"M x 1/2"M
15. Hex key with grub screws
16. Rubber nozzles (spare)
17. Chrome plate
18. Flexible hose 0,4 m 3/4"F x 3/4"F
19. Seal
20. Flow Regulator



Technical Features

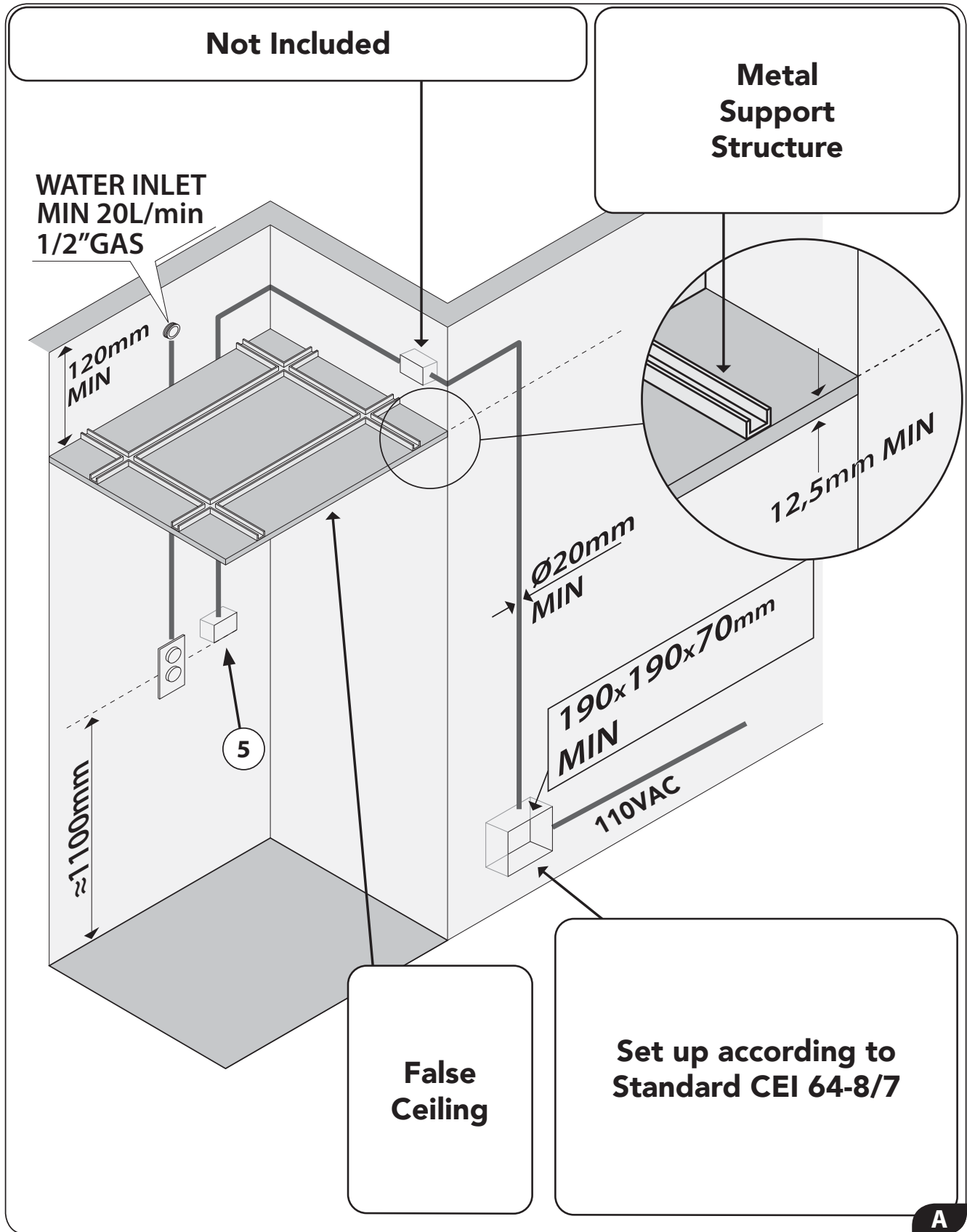
Product	LED	Flow Rates	Product Weight (Kg)
4040-DLCT 40" x 40"	12	min 20 L/min max 30 L/min	40,0
40R-DLCT 40" Diameter	12	min 20 L/min max 30 L/min	34,0
4040-DLCT 40" x 20"	8	min 20 L/min max 30 L/min	18,0

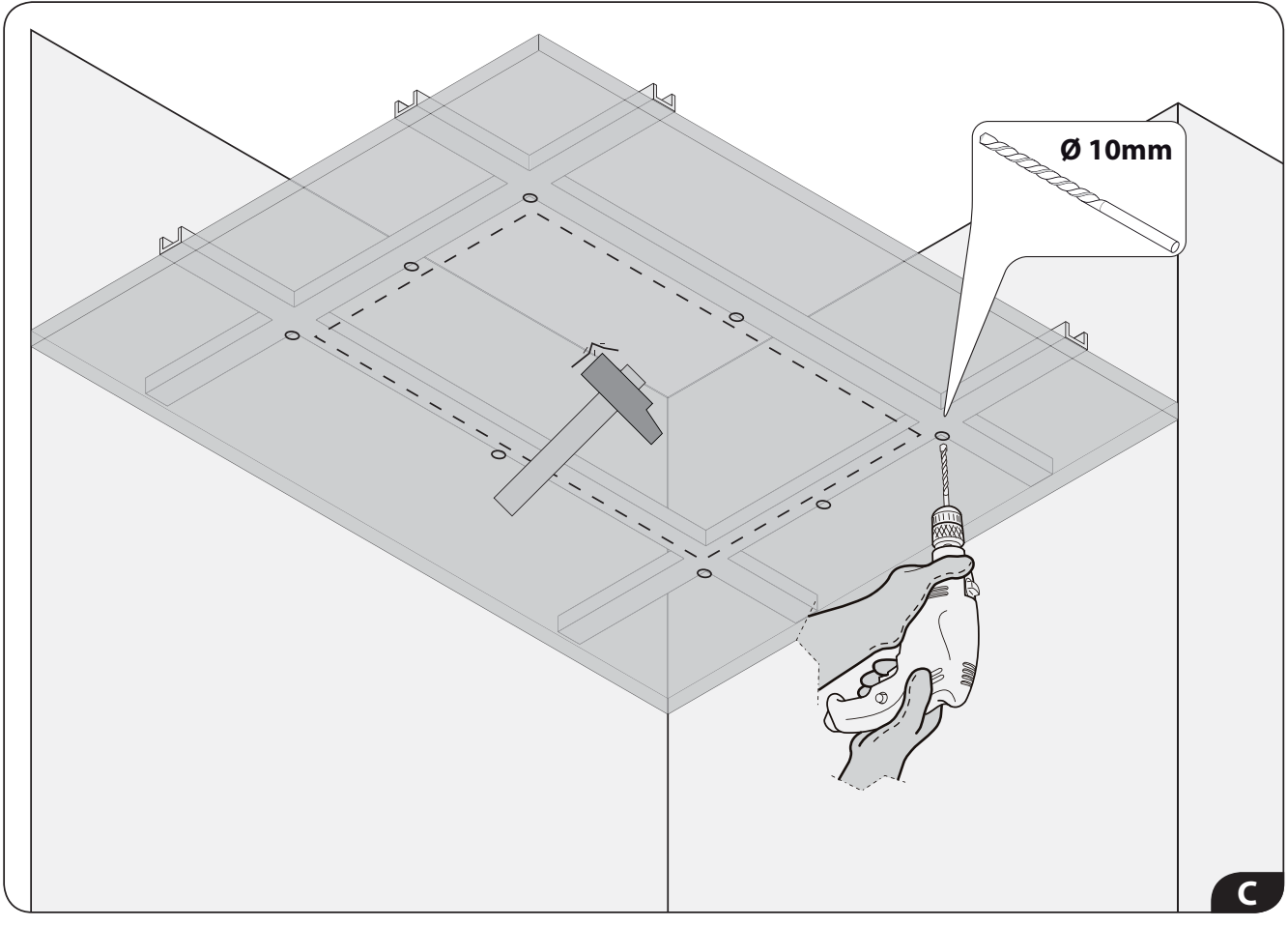
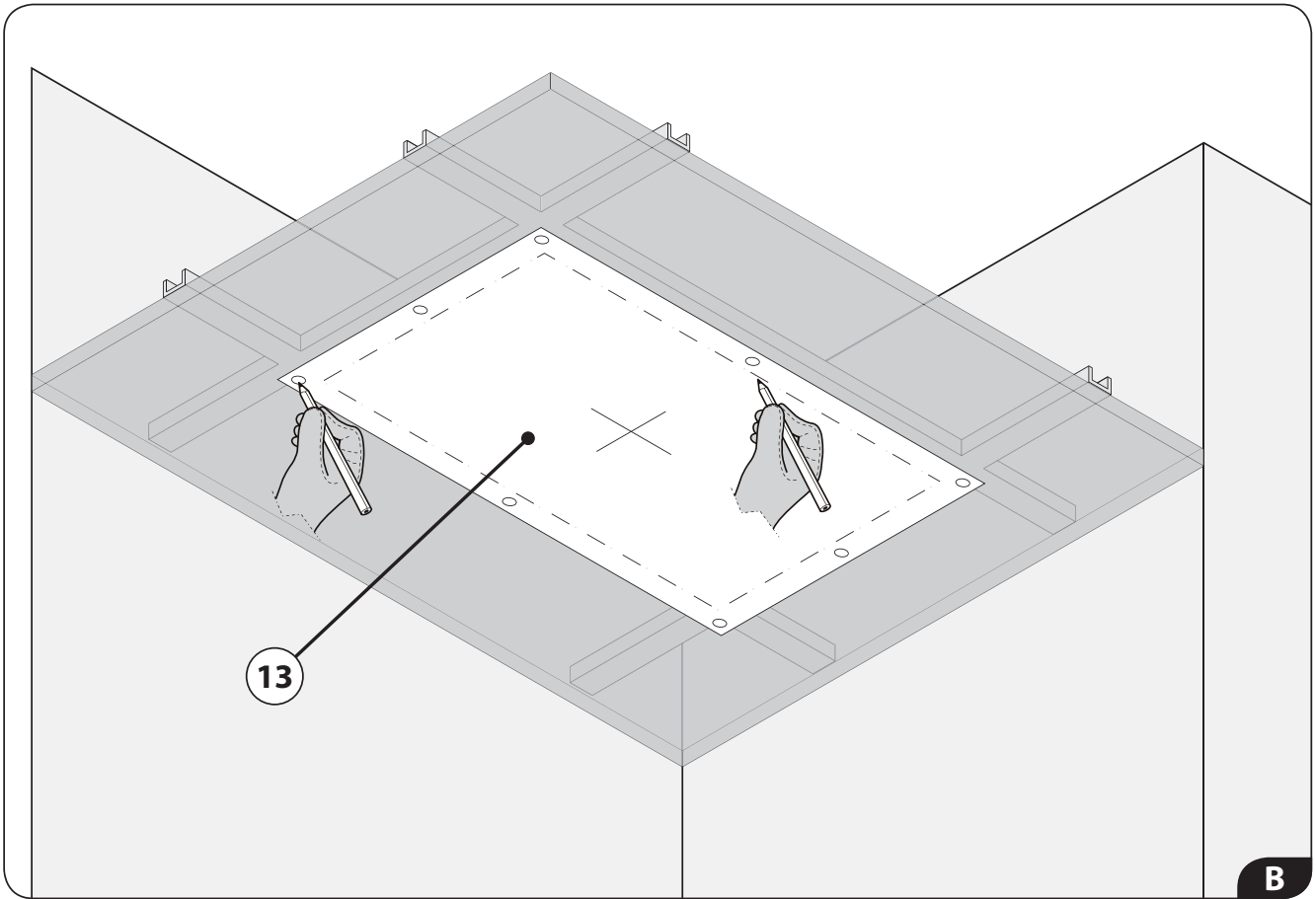
Electrical Equipment

Technical Specifications

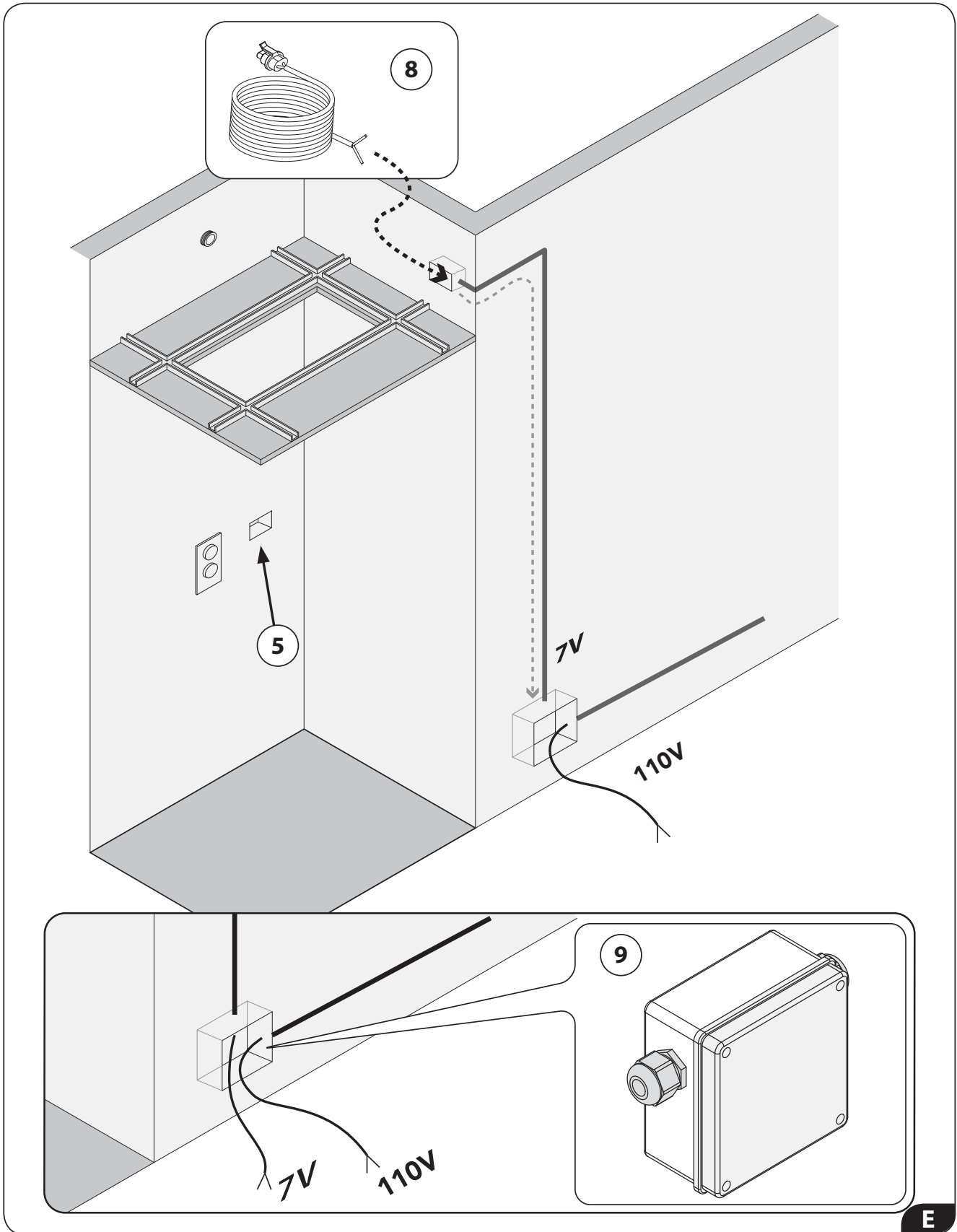
Electric connection	110VAC ~ 50/60 Hz - max 20w, class of protection II
Electric cable (supplied by customer)	External cable diameter: max 8.5mm
4040-DLCT	12 low voltage LEDs
40R-DLCT	12 low voltage LEDs
4020-DLCT	12 low voltage LEDs
Safety Transformer	110V ≈ / 7V = 50/60 Hz to be installed outside the safety area (in compliance with standard DIN VDE 0100, part 107 - according to prescription CEI 64/8)
Grade of protection	
Safety mark	
If no commands are sent to the system, a time-out function automatically shuts the system off after approx. 30 minutes.	

Recommended Set Ups

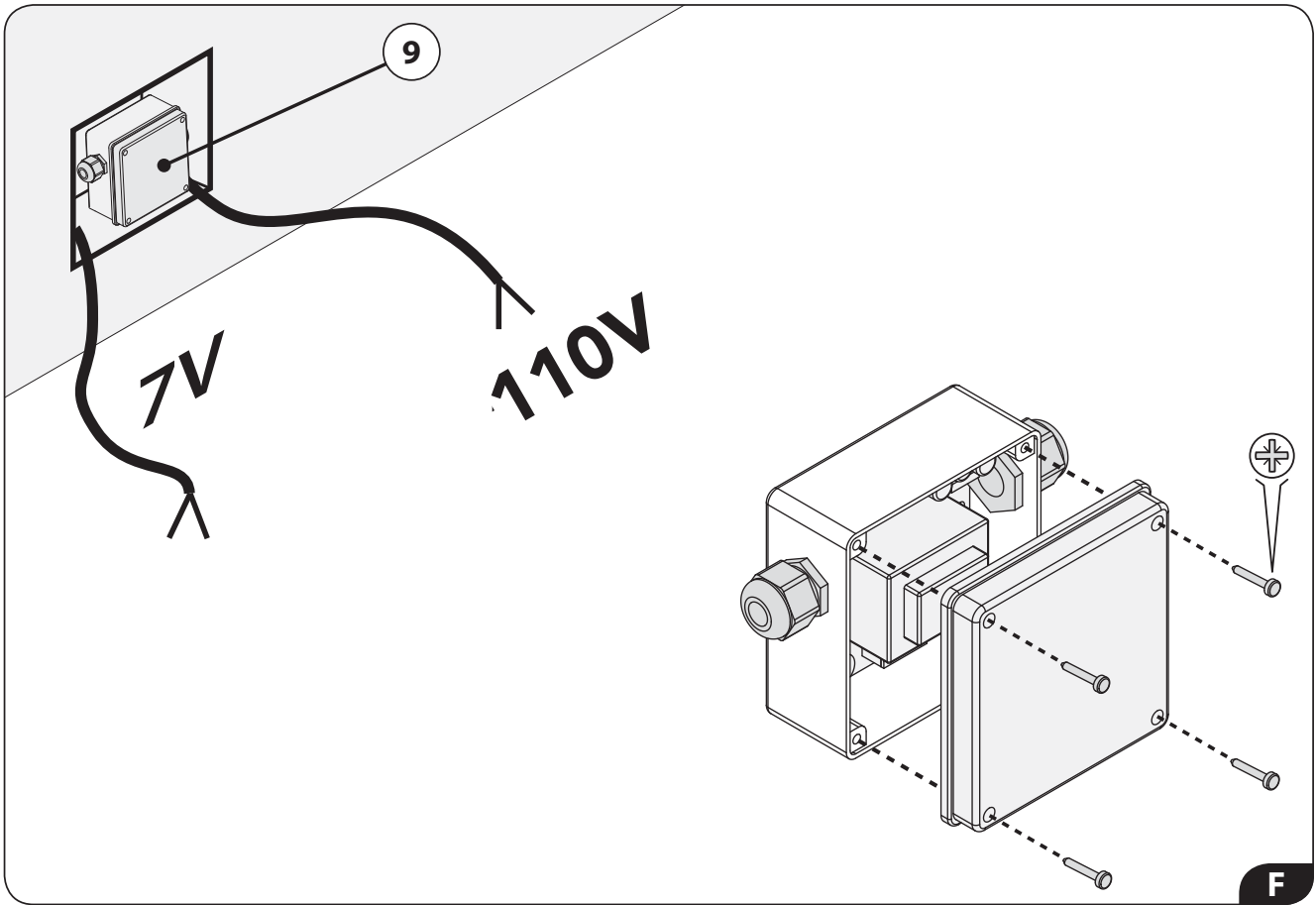




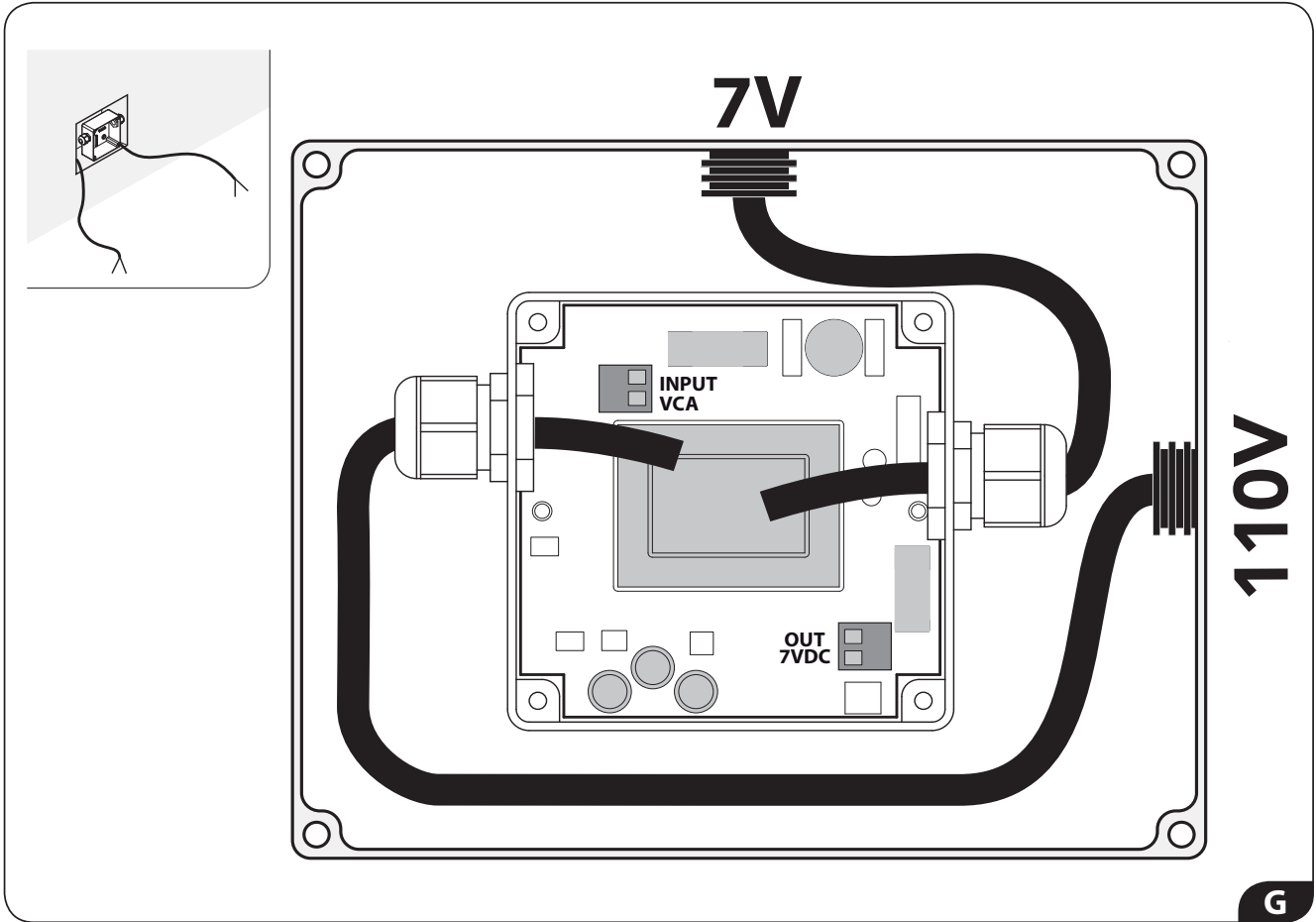
Installation



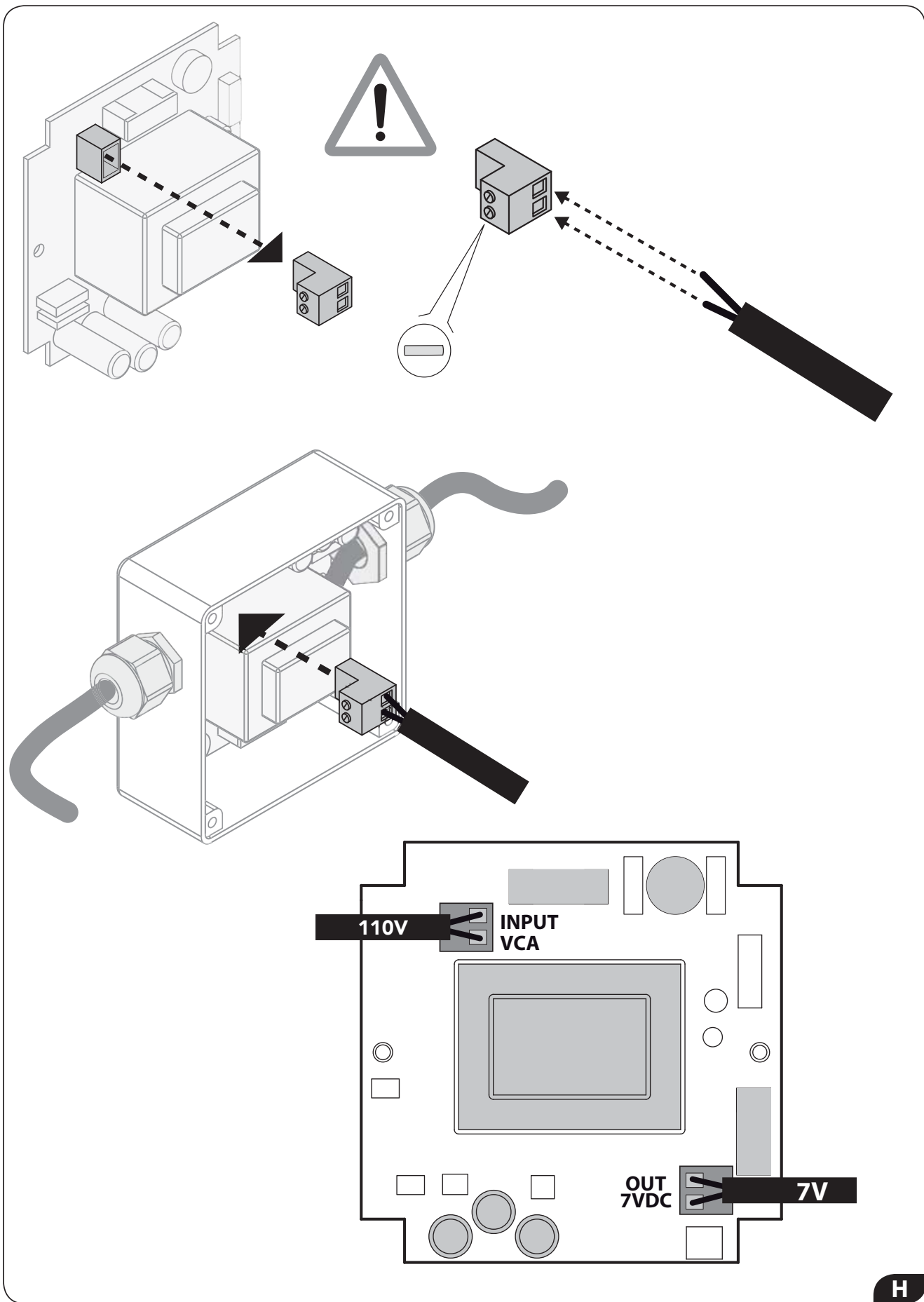
E



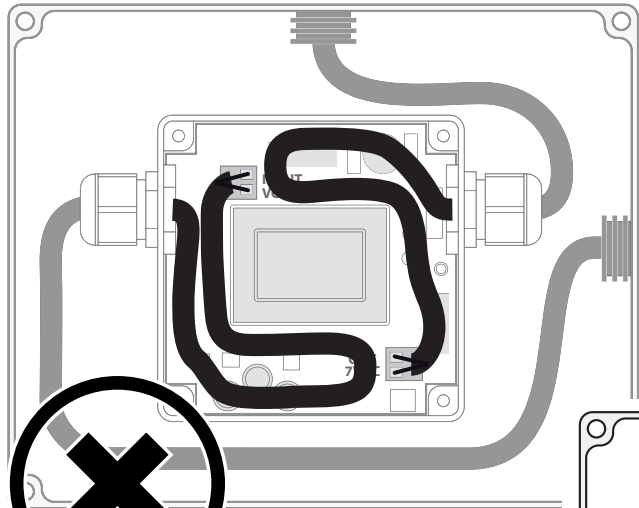
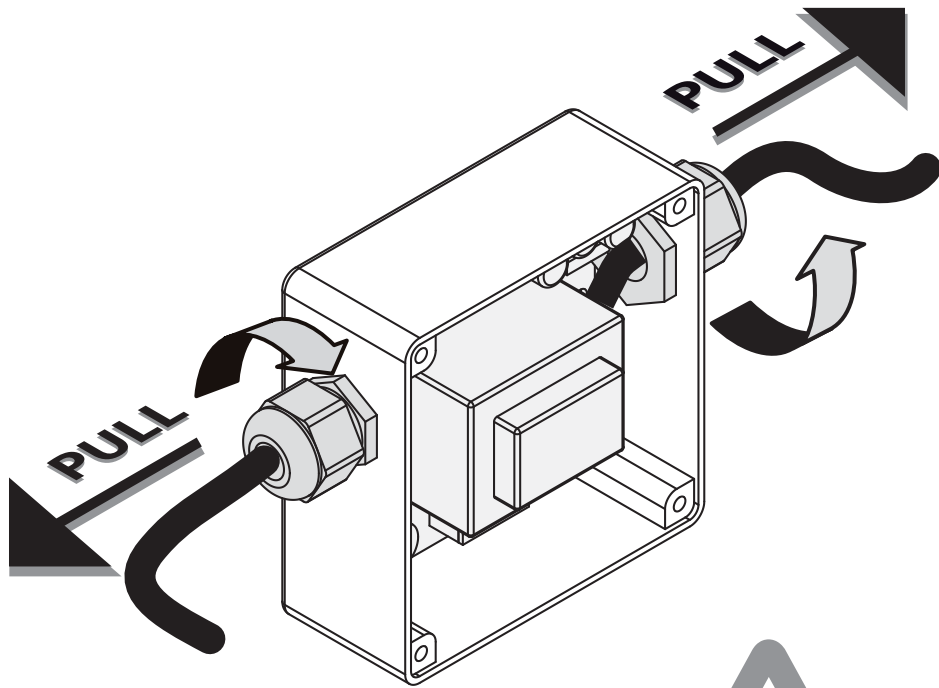
F



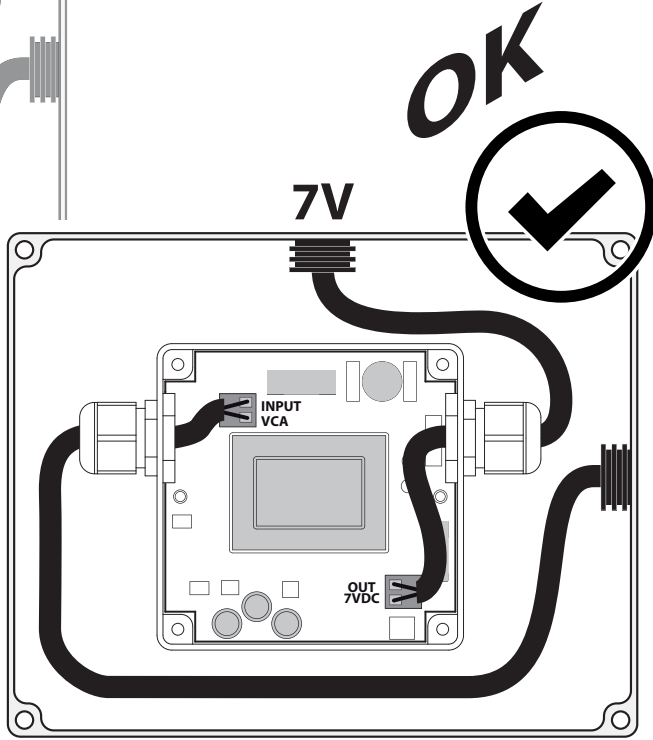
G



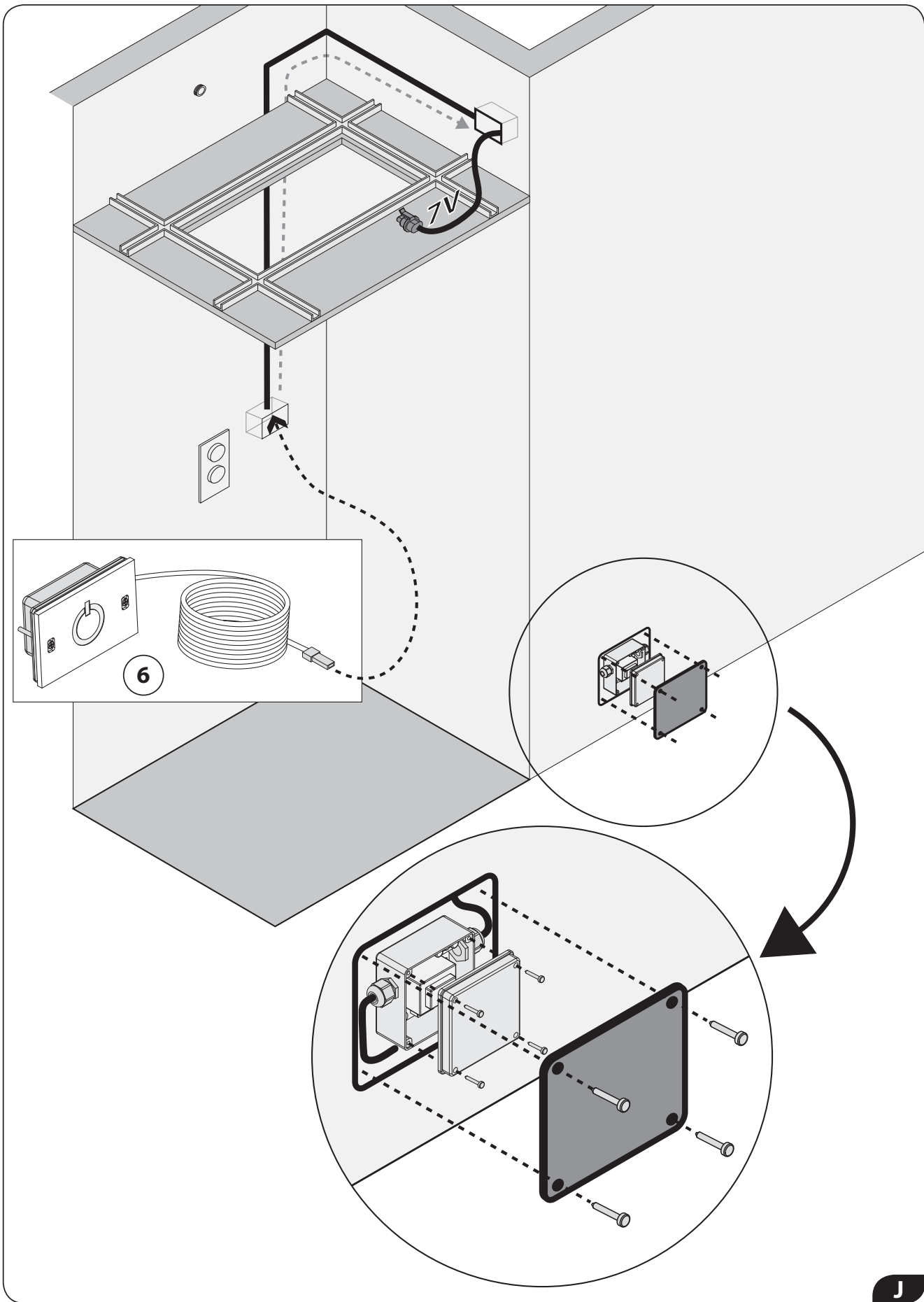
H

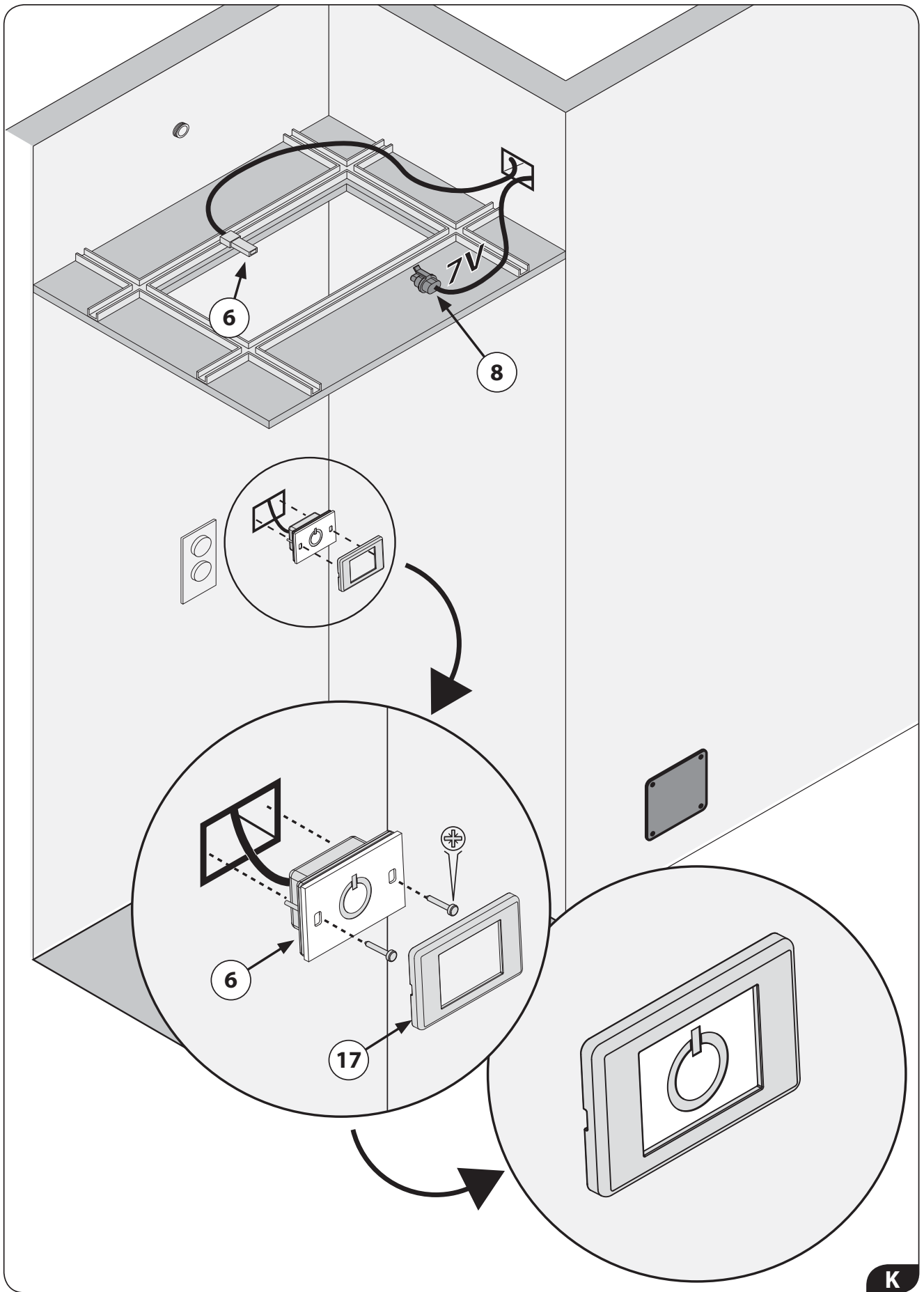


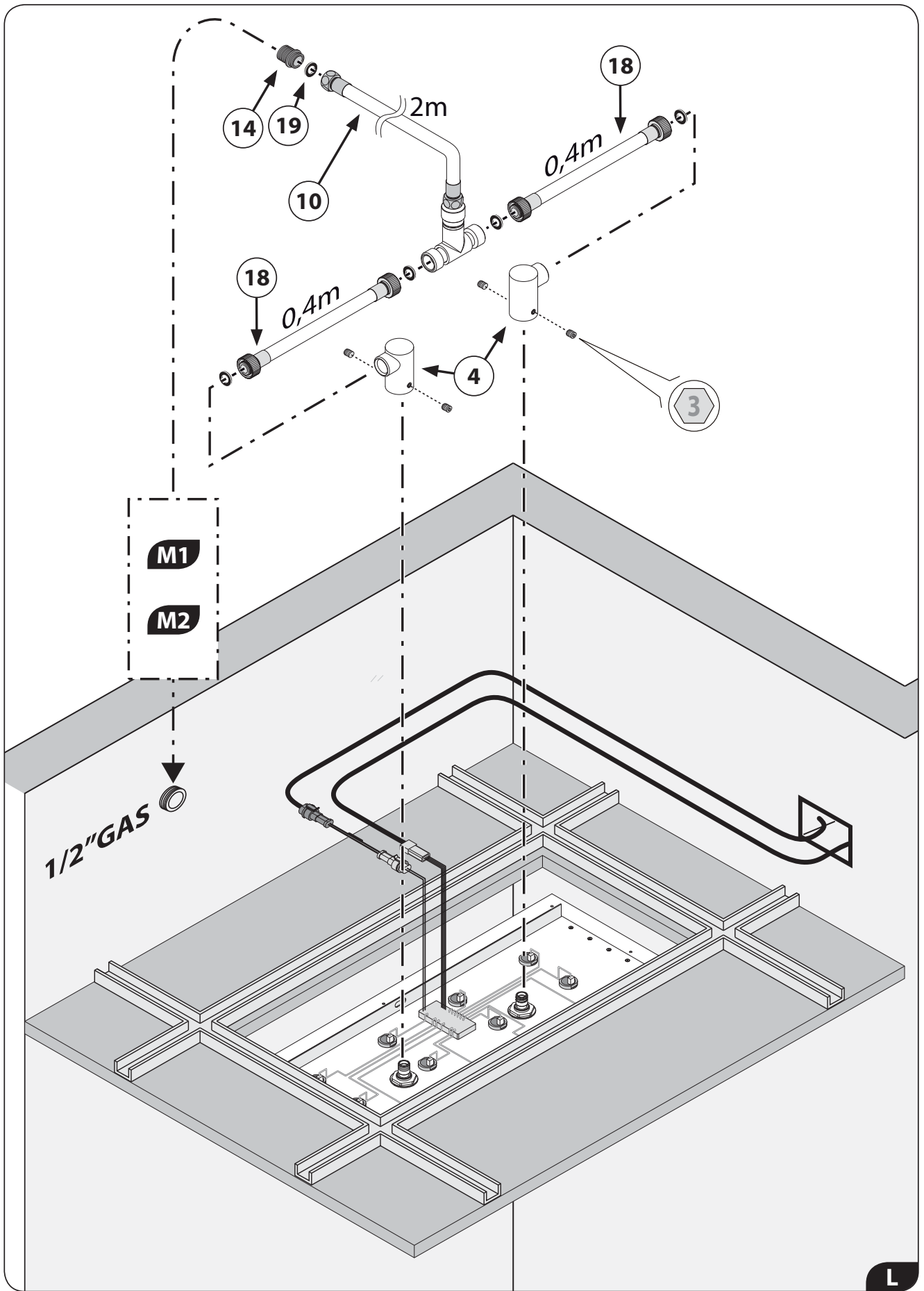
NO!

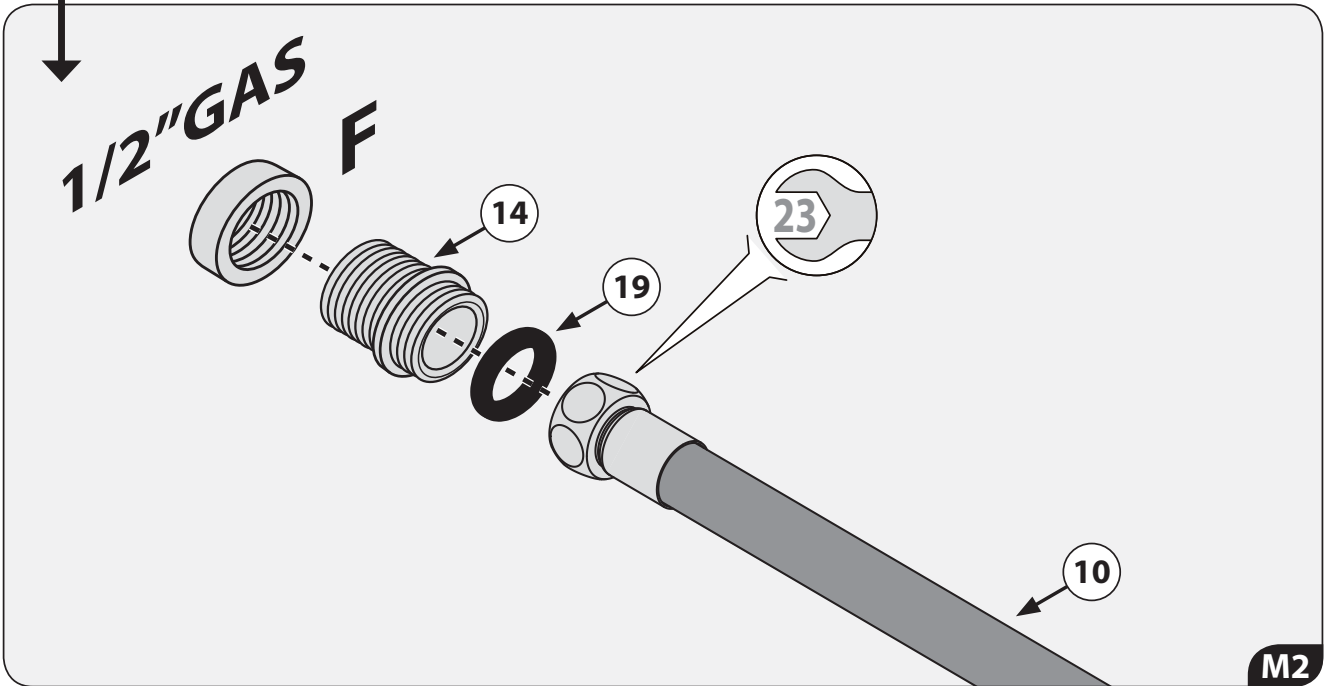
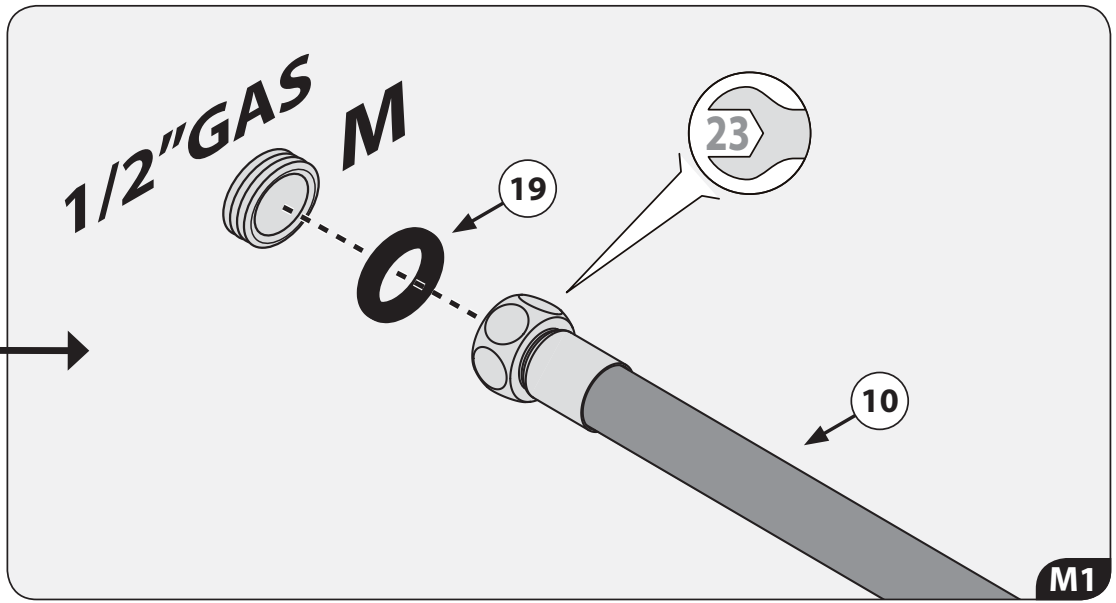
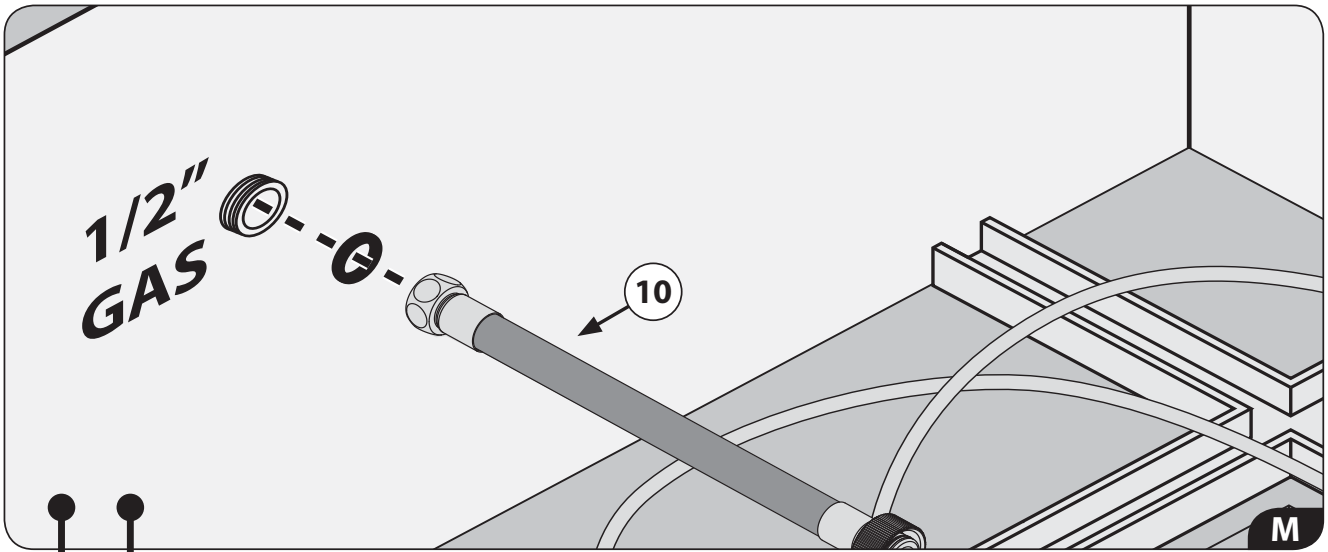


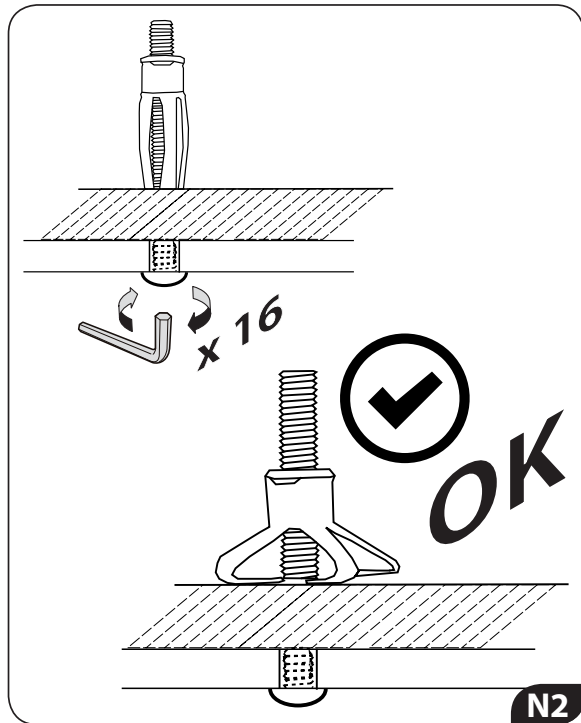
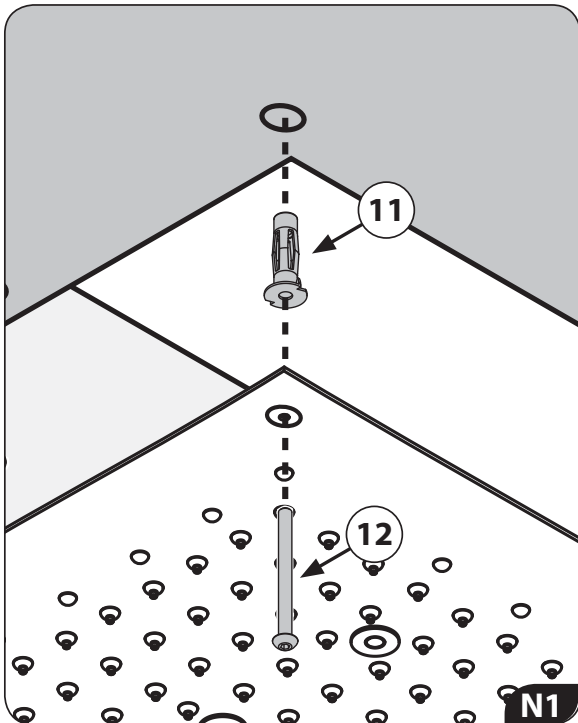
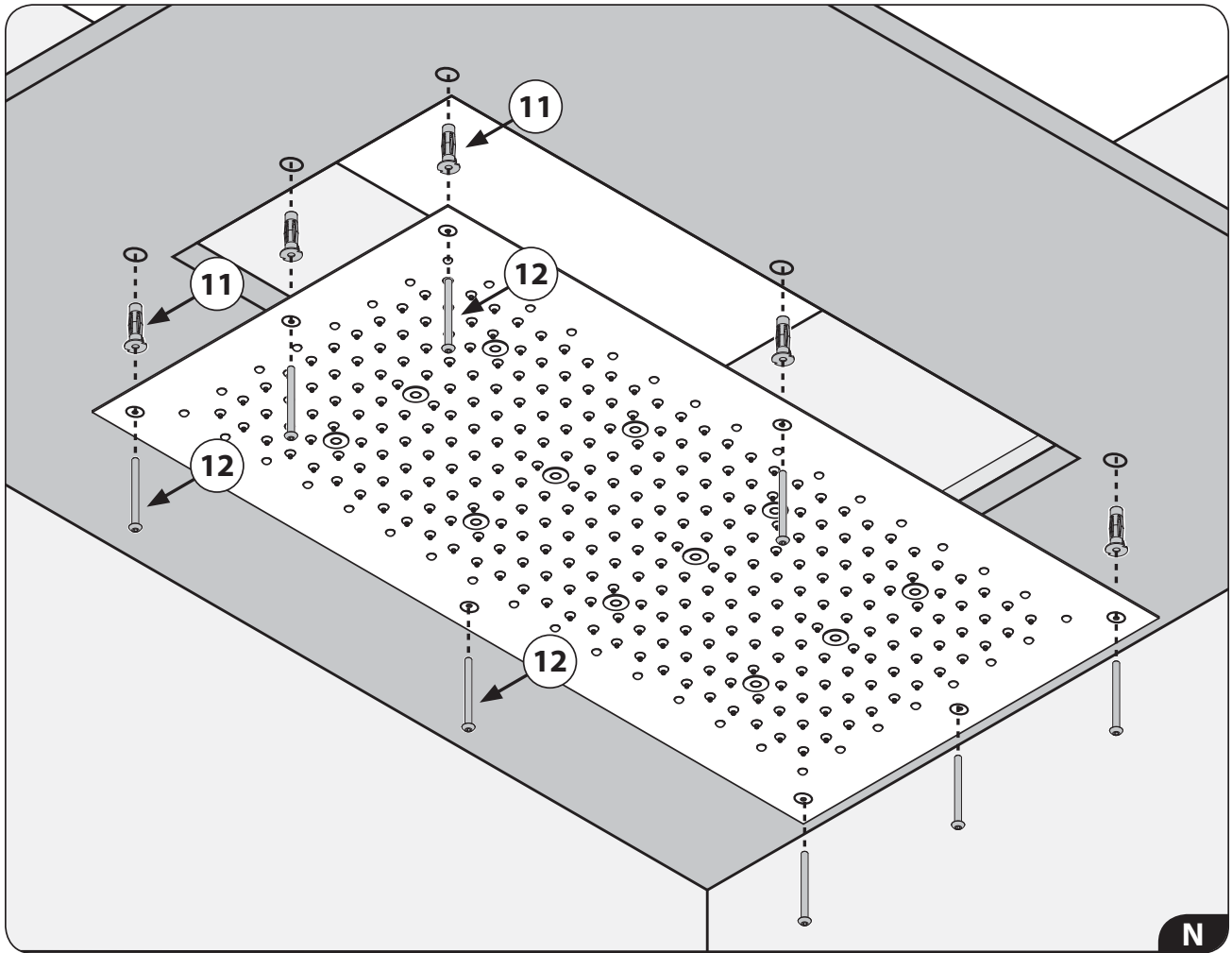
OK



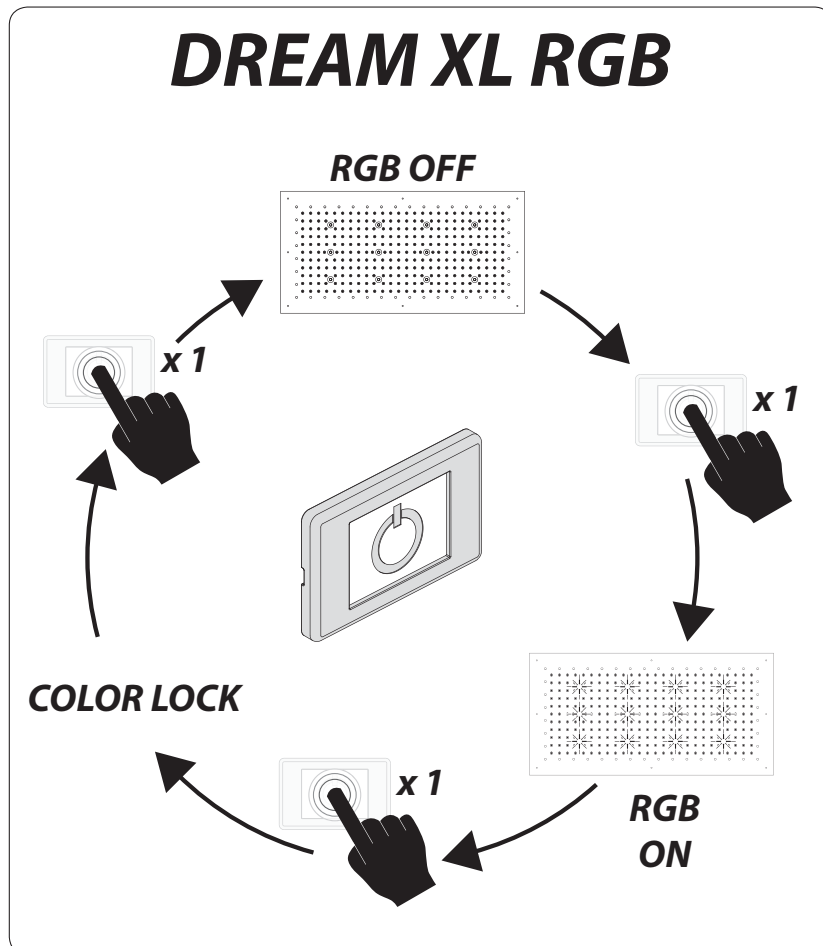
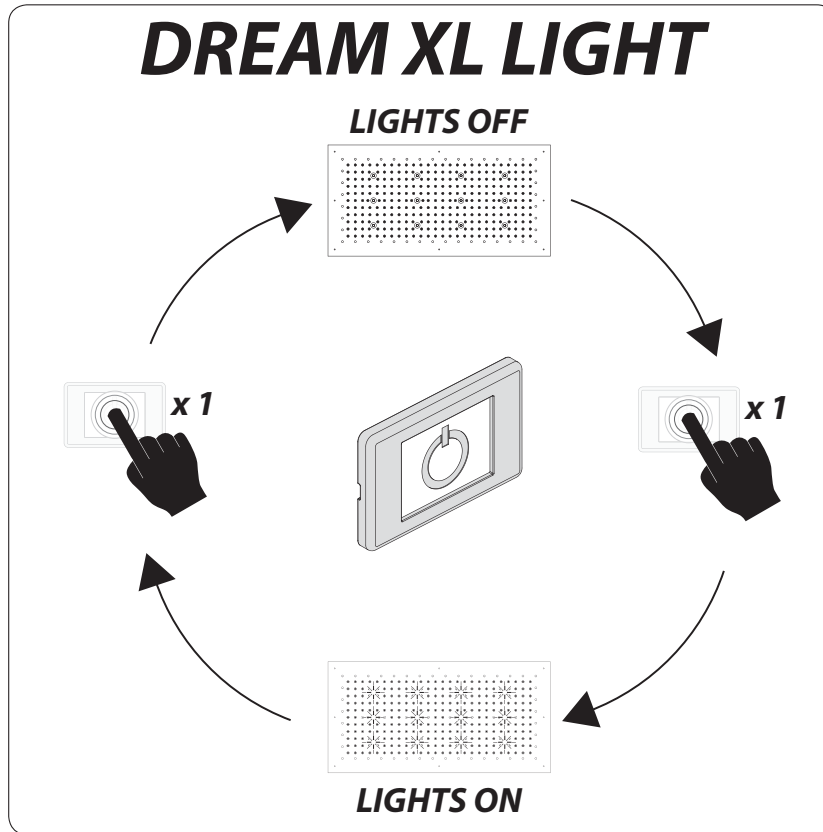




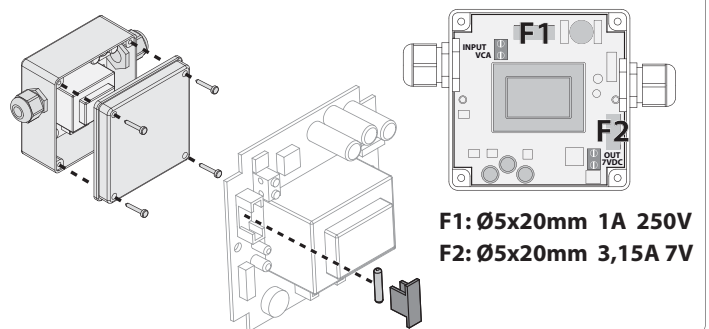
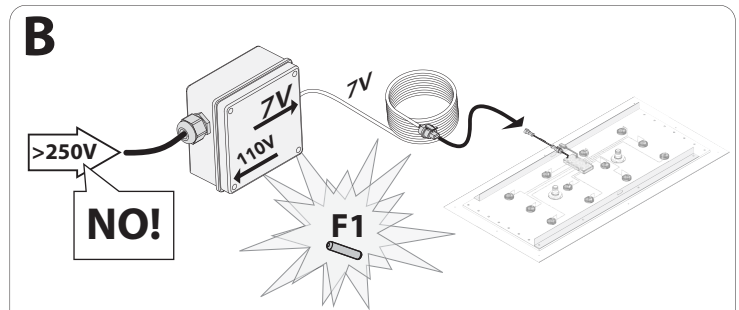
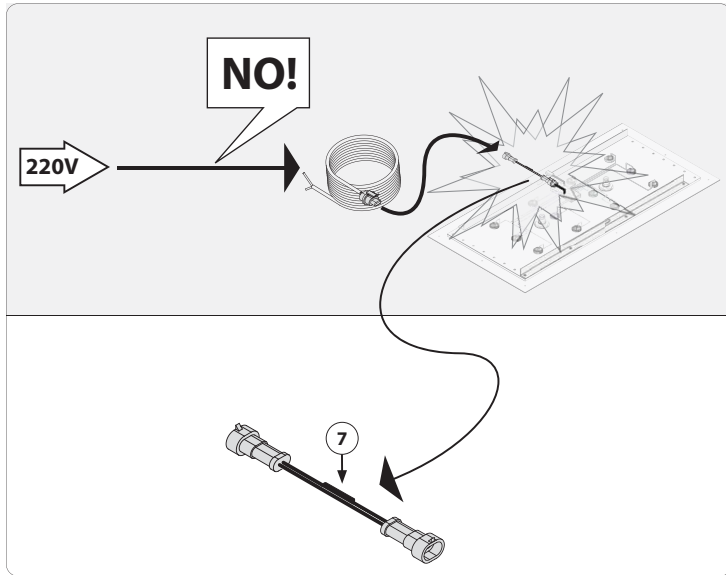
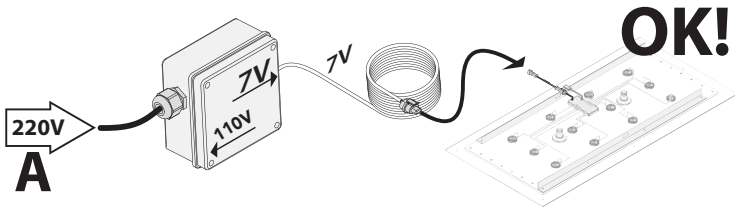




**Control Keypad
Operations**



If no commands are sent to the system, a time-out function automatically shuts the system off after approximately 30 minutes



CARE INSTRUCTIONS

In order to maintain the high quality finish of JACLO products, please adhere to the following product care instructions:

Cleaning JACLO products: For routine cleaning, simply use a soft damp cloth and common household soap, then rinse and dry. Proper care of your product is important because most water contains calcium that deposits on surfaces, forming unpleasant spots. This can be avoided by routine cleaning and drying after every use. Use only mild soap based detergents.

Never use abrasive cleaners, bleach, disinfectants or cleaning products containing alcohol, ammonia, hydrochloric or phosphoric acids as they will damage the product finish.

Please note: Your product warranty may not be valid if the above cleaning guidelines are not followed.

The use of water softeners, which are loaded with salt, will destroy any finish in time. Use of water softeners void all warranties.

WARRANTY

Residential Warranty: Your new plumbing fixture is warranted by **JACLO INDUSTRIES**, 129 Dermody Street, Cranford, NJ 07016. This warranty is extended to original consumer purchasers only. This warranty gives you specific legal rights, and you may also have other rights which vary from state to state.

The product (including the finish on the product but excluding any custom finishes and any installation hardware not supplied by JACLO) is warranted to be free from defects in material or workmanship under normal use and service for the lifetime* of the fixture, so long as the original consumer purchaser owns it. JACLO's sole obligation under this or any other warranty is limited to repairing or replacing at JACLO's option, without labor, any part or parts of the fixture which fall to conform to such warranty.

JACLO WILL NOT BE LIABLE FOR ANY CONSEQUENTIAL OR INCIDENTAL DAMAGES CAUSED BY A BREACH OF THIS OR ANY OTHER WARRANTY.

Some states do not allow the exclusion of limitation of incidental or consequential damages, so the above limitation may not apply to you.

To secure warranty performance, the original consumer purchaser must have the fixture properly and professionally installed in accordance with all codes and installation instructions.

Items and actions that will void the JACLO warranty are:

- Abuse, misuse, neglect and accidental damage
- Improper cleaning care of maintenance of the fixture
- Alteration of the fixture in any way including removal of a flow regulator/restrictor

All warranty claims must be made in accordance with the JACLO return policy (see below).

JACLO does not authorize any distributor, retailer or other person to modify this warranty or assume any liability on its behalf with respect to it. Any question regarding the operation of warranty should be addressed to JACLO's warranty department.

*Due to the unpredictable environment, all kitchen drains, strainers and garbage disposal flanges are warranted for the period of one year from date of purchase from an authorized JACLO dealer

Commercial Warranty: JACLO extends the above warranty for a period of one year from date of purchase to purchasers of products for industrial, commercial, business and all non-private residential uses.