

**100.6410 | 1/2" Body Jet With Concealed Valve - Round**

**SPECIFICATIONS:**

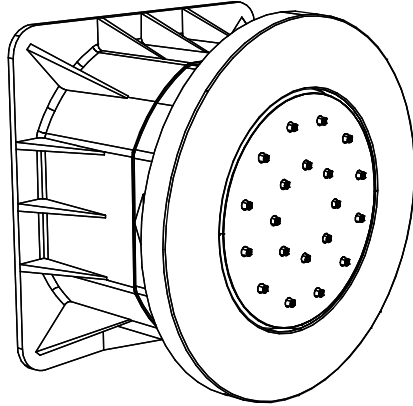
- 1.05 GPM Flow Rate @ 60 PSI
- Includes Concealed In-Wall Valve
- 20 Degree swivel directional angle

**FINISHES :**

- Chrome - 100.6410CP, Brushed Nickel - 100.6410BN

**STANDARDS:**

- ASME A112.18.1 / CSA B125.1



Legislation Compliance



ZeroDrip Technology



**Technical Diagram**

**SEE ALSO:**

- 1) 100.6415 (1/2" Spin Jet)

