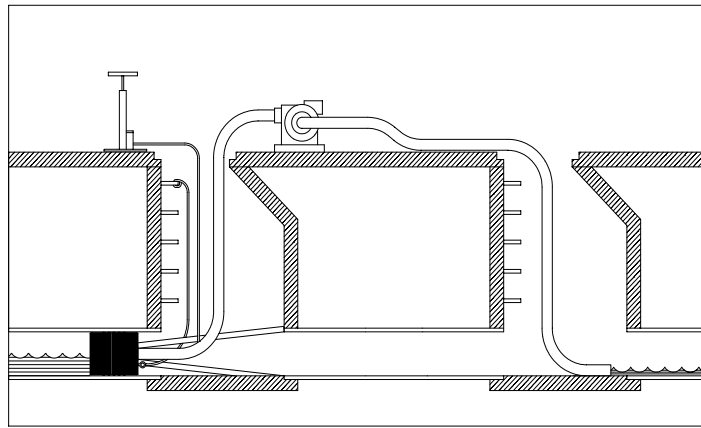


# Multi-Size Pneumatic Bypass Plugs

The Multi-Size Pneumatic Bypass Plug is designed for the bypassing of water or sewage in pipelines or to temporarily stop the flow. It can also be adapted to use in air testing of sewer lines. Each plug is designed for two or more pipe sizes. These plugs can be used in a variety of applications and are suitable for many different pipe materials. Manufactured from a durable natural rubber compound these plugs are flexible yet rugged. Each plug comes with an eyebolt for connecting a rope or inflation/lift line and a 1/4" NPT replaceable inflation valve.



Nominal Size	Product Code	Pipe Use Range		Plug Diameter (inches)	Plug Length (inches)	Bypass Size (inches)	Inflation Pressure	Maximum Back Pressure		Shipping Weight
		Minimum Pipe Diameter (inches)	Maximum Pipe Diameter (inches)					Water Head (feet)	Air (psig)	
15-30"	83860	14.00	30.25	13.70	55.00	2	20	18.0	8	51.0
20-36"	83861	19.00	36.25	18.50	64.00	4	20	18.0	8	102.0
24-48"	83865	22.00	48.25	21.50	94.00	4	15	18.0	8	112.0
36-60"	83869	34.50	60.25	29.50	98.00	4	10	13.8	6	165.0
48-72"	83877	46.00	72.25	43.50	110.00	4	10	13.8	6	360.0
60-96"	83881	58.00	96.25	56.00	120.00	4	10	13.8	6	585.0

**NOTE: Bypass sizes of 2", 4" 6" and 8" are available  
Additional stock sizes are available upon request**