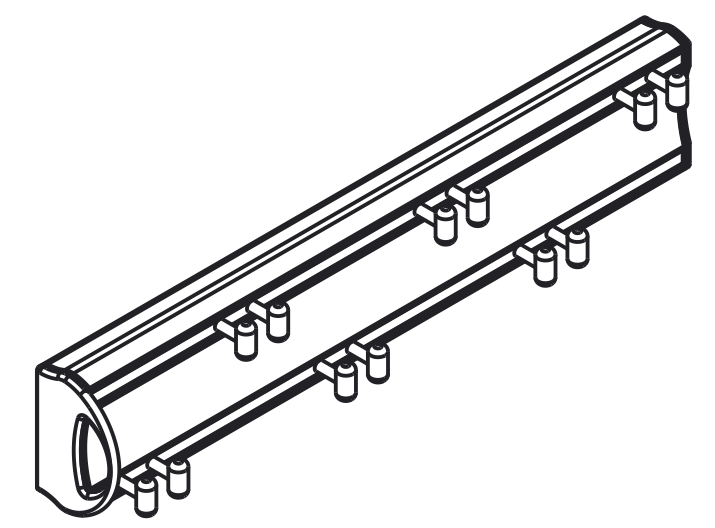
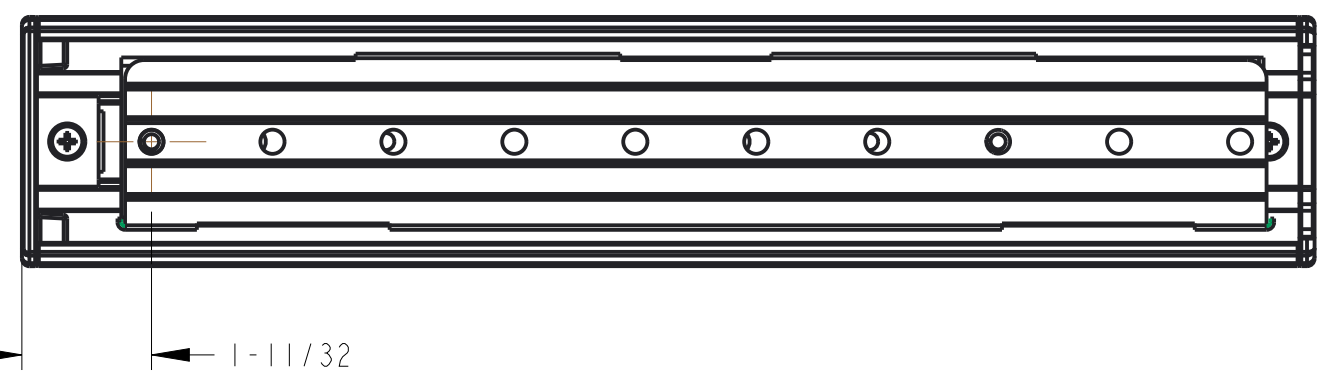
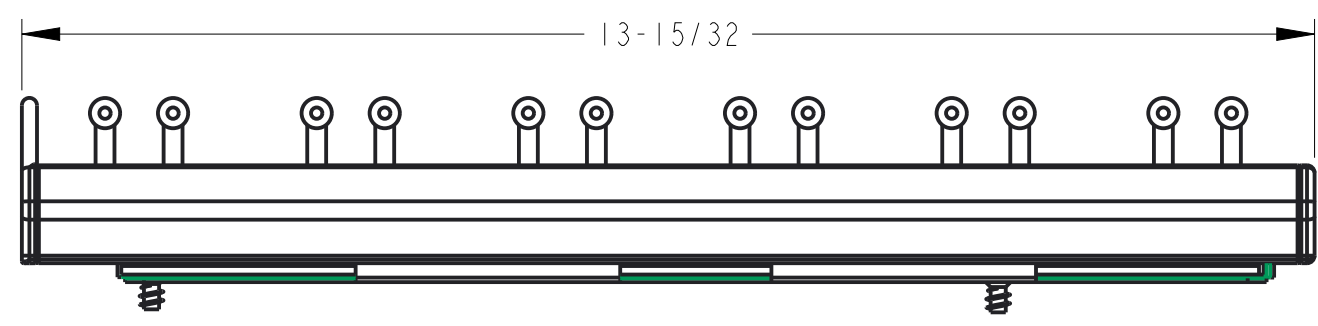
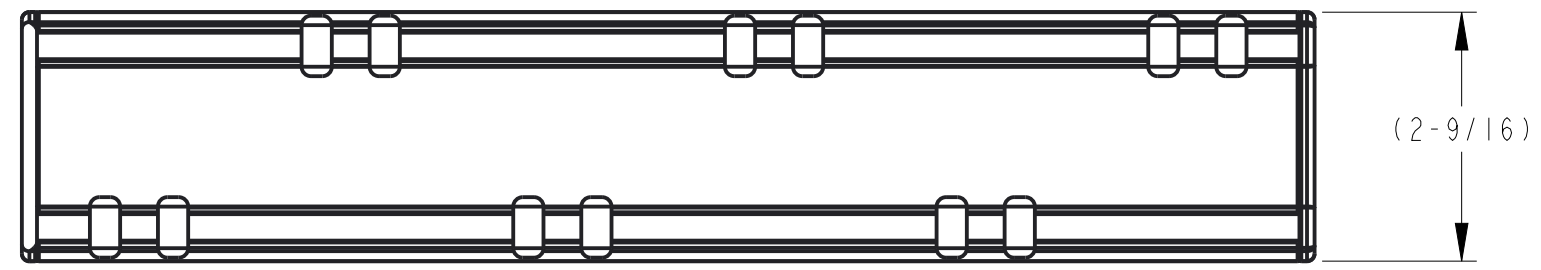
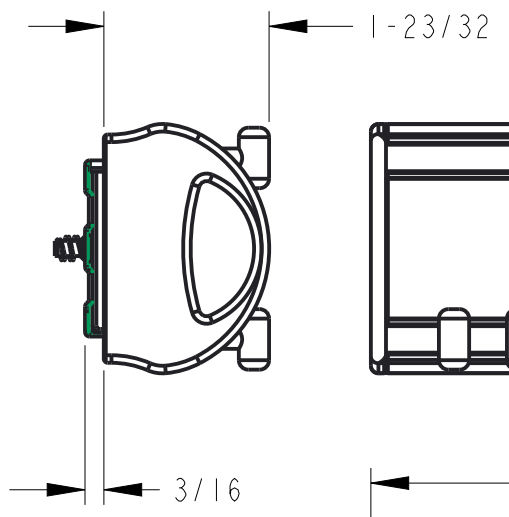


8 7 6 5 4 3 2 1

F
E
D
C
B
A



SCALE 1:3

| FINISH GOODS TABLE | | |
|--------------------|-------------------------------|---------------------|
| HR ITEM # | DESCRIPTION | FINISH |
| 355B-PC | ASSY, SLIDING BELT RACK, PC | POLISH CHROME |
| 355B-SN | ASSY, SLIDING BELT RACK, SN | SATIN NICKEL |
| 355B-ORB | ASSY, SLIDING BELT RACK, DORB | DARK OIL RUB BRONZE |

| | | | | | |
|---------------------------|---------------------|-----------------|------------|---|-----------------|
| THIRD ANGLE PROJECTION | | | | | |
| MATERIAL N/A | FINISH SEE TABLE | | | | |
| DRAWN BY J. CORLESS | | DATE 07OCT17 | | DESCRIPTION SLIDING CLOSET BELT RACK | |
| DESIGNED BY J. CORLESS | | DATE 21JUL16 | | | |
| APPROVED BY G.DAVIS | | DATE 12OCT17 | SIZE A3 | SCALE 1:2 | REV A |
| DRAWING NUMBER 355B | | SHEET 1 / 2 | | | |

DOCUMENT STATUS Released

HARDWARE RESOURCES RESERVES THE RIGHT TO CHANGE SPECIFICATIONS WITHOUT NOTICE.
IN CASE OF A DISCREPANCY, ACTUAL PART GEOMETRY SUPERSEDES THIS DOCUMENT.

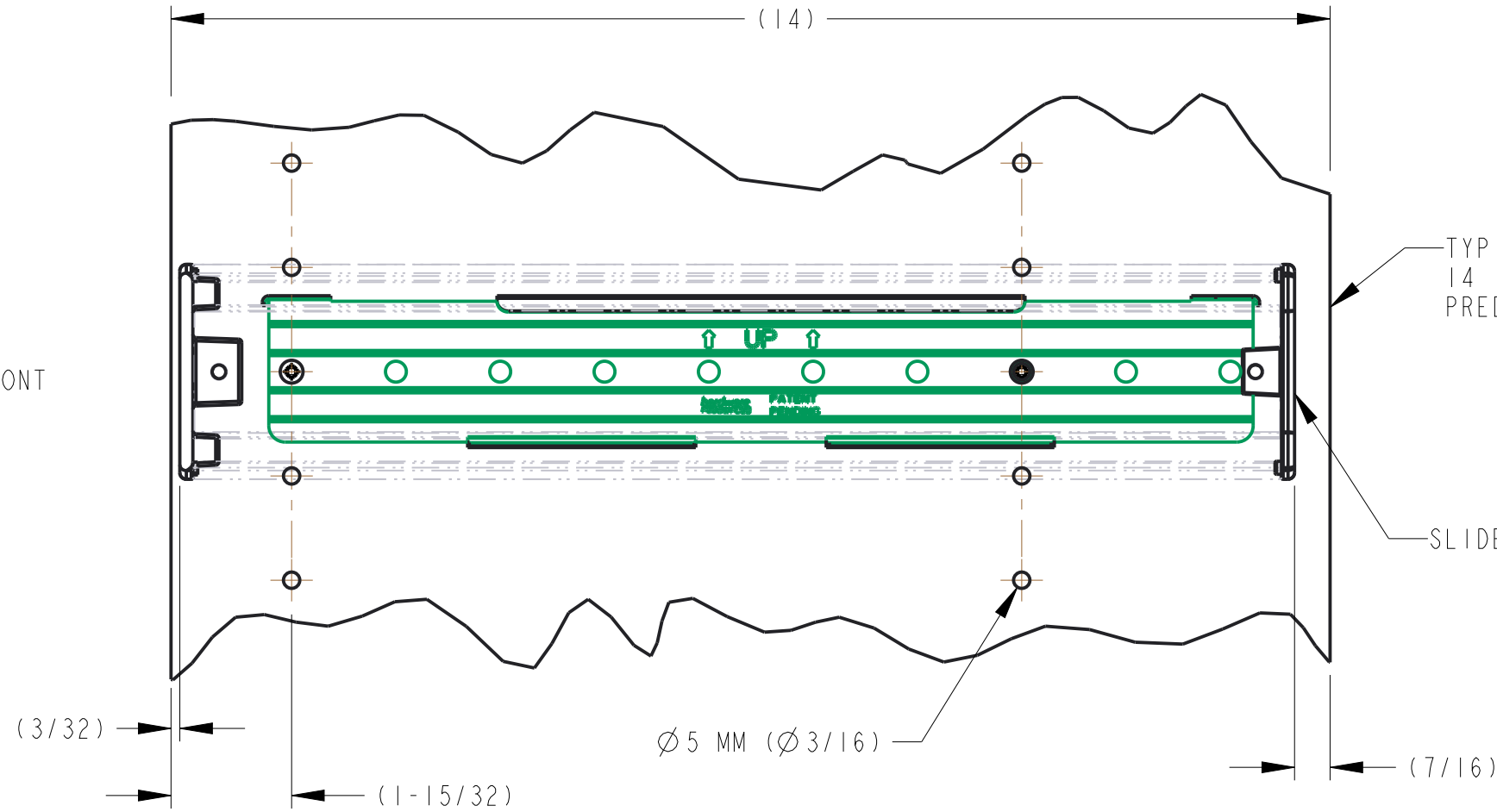
THE INFORMATION CONTAINED WITHIN THIS DRAWING IS THE SOLE PROPERTY OF HARDWARE RESOURCES INC. ANY REPRODUCTION IN PART OR WHOLE WITHOUT WRITTEN PERMISSION OF HARDWARE RESOURCES INC. IS PROHIBITED.

8 7 6 5 4 3 2 1

8 7 6 5 4 3 2 1

F
E
D
C
B
A

CLOSET FRONT



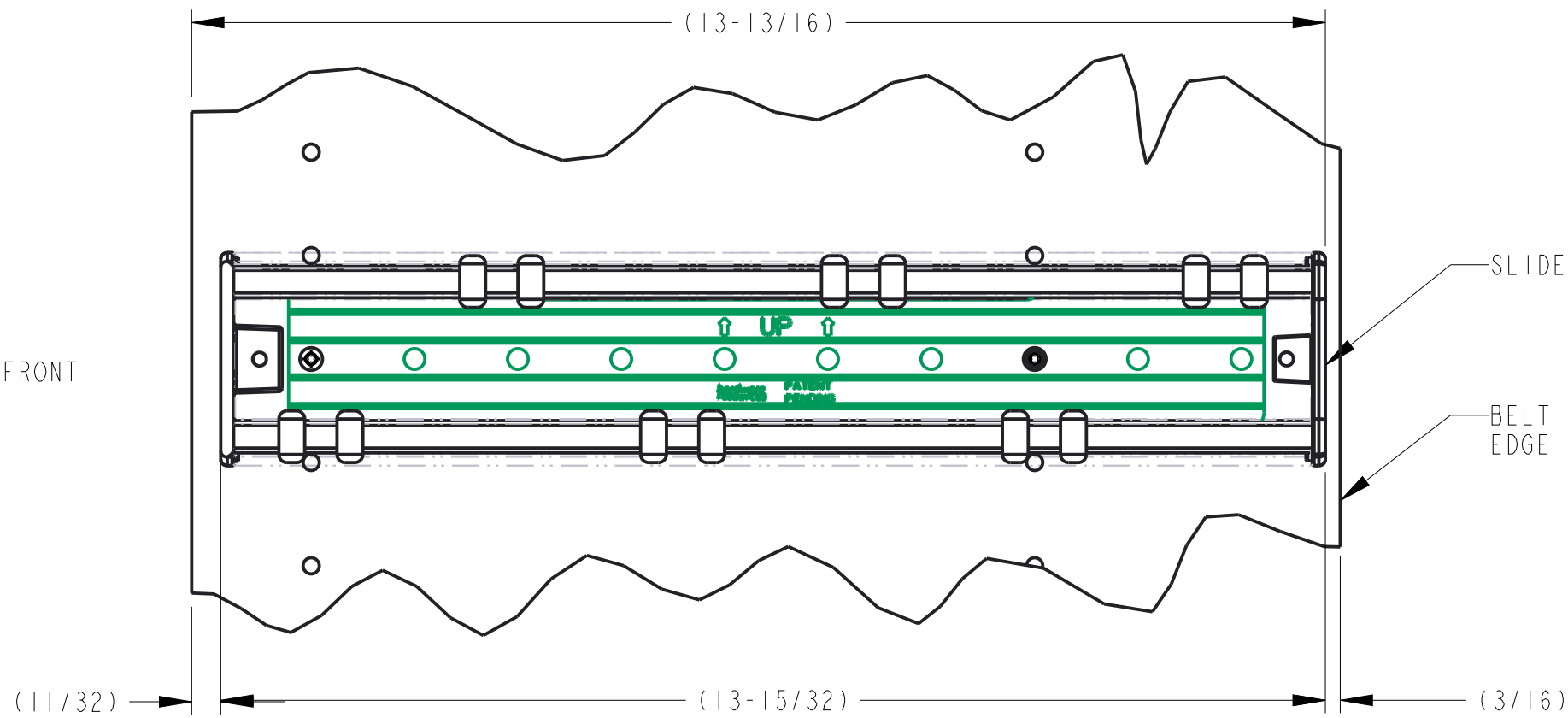
TYPICAL INSTALLATION IN 14 INCH CLOSET PANEL WITH PREDRILLED 32mm SYSTEM HOLES

SOME ITEMS HIDDEN FOR CLARITY

SLIDE IN INSTALLED POSITION

(7/16)

CLOSET FRONT



SLIDE IN PUSHED BACK POSITION

BELT RACK MUST NOT EXTEND PAST THIS EDGE IN THE PUSHED BACK POSITION

| | | |
|-----------------|-------|----------|
| DRAWING NUMBER | | REV |
| 355B | | A |
| SIZE | SCALE | SHEET |
| A3 | 1:2 | 2 / 2 |
| DOCUMENT STATUS | | Released |

8 7 6 5 4 3 2 1