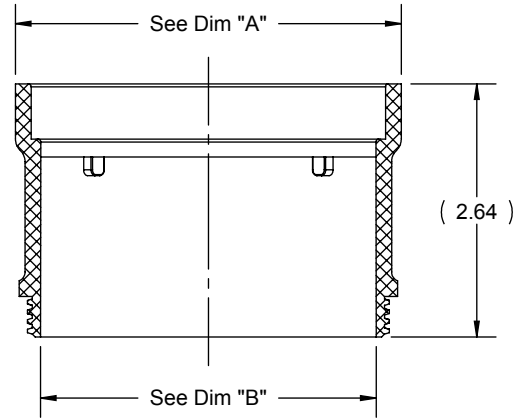
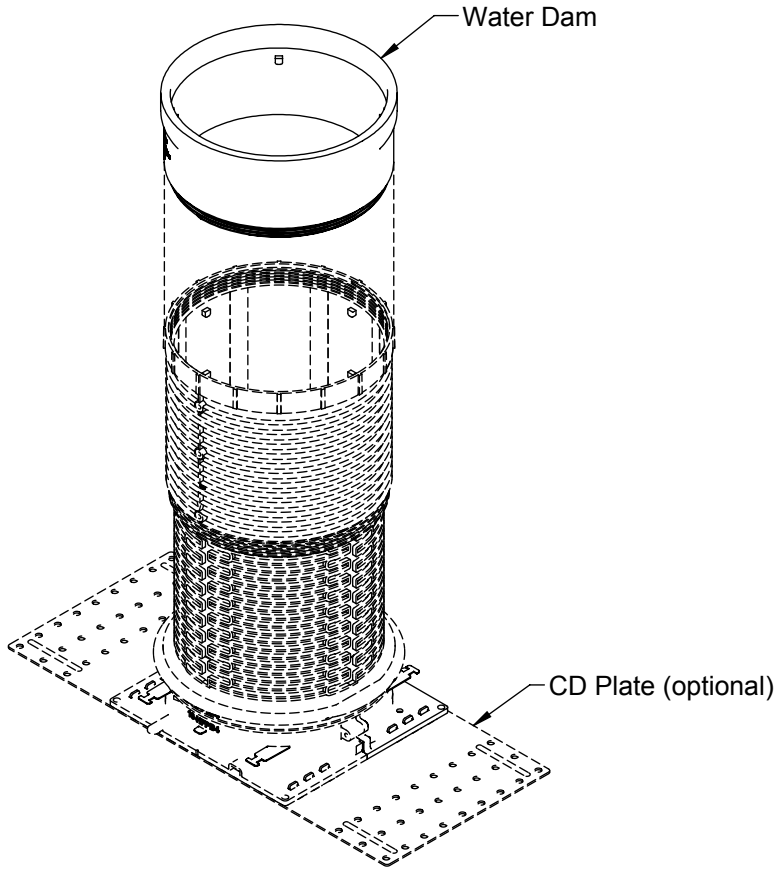


PRODUCT SPECIFICATION DRAWING

Hydroflame Pro Series - Water Dam



Dimension Chart		
Size	Dim "A"	Dim "B"
#1	Ø2.771	Ø2.312
#2	Ø4.018	Ø3.497
#3	Ø5.132	Ø4.552
#4	Ø6.154	Ø5.487
#6	Ø8.780	Ø8.027

The **HOLDRITE® Hydroflame Pro Series "Water Dam"** attaches to the top of the **Pro Series cast-in-place firestop sleeves** and adds a **2" tall water dam barrier** at the perimeter of the sleeve opening. Sizes are available to fit all **Pro Series Sleeves**, for all sizes of penetrants **1/2" thru 6" nominal size**. See **Riser Clamp load rating chart** below. Thread sealant may be added to male threads prior to installation, if desired. **UL-Listed accessory** when used with **HoldRite's Hydroflame Pro Series Sleeves**.

Product Information:

- Material:
Body: PVC, Black.
- Patent Pending
- See Hydroflame Pro Series Installation Instructions, Best Practices documents and the latest UL Fire Resistant Directory file (R25101) for details.

Water Dam may be used to support Riser Clamps. Rated with reference to:		
#1) UL-203		
#2) Typical standard riser clamps; MSS-SP-58, Type 8; and ASTM D695 for rigid PVC, Type B		
Model	Max Load (lb), per reference above	
	#1 (short term)	#2 (@ 2xSF) (long term)
HFPWD1	850	275
HFPWD2	1000	450
HFPWD3	1250	650
HFPWD4	1800	950
HFPWD6	2800	1200

Product Submittal	
Job Name:	
Date:	
Part Number:	Qty:
Architect / Owner:	
Contractor:	
Notes:	

THIS INFORMATION IS PROPRIETARY TO HOLDRITE AND IS SUBJECT TO CHANGE WITHOUT NOTICE. IT MAY NOT BE REPRODUCED IN PART OR WHOLE WITHOUT WRITTEN AUTHORIZATION.

