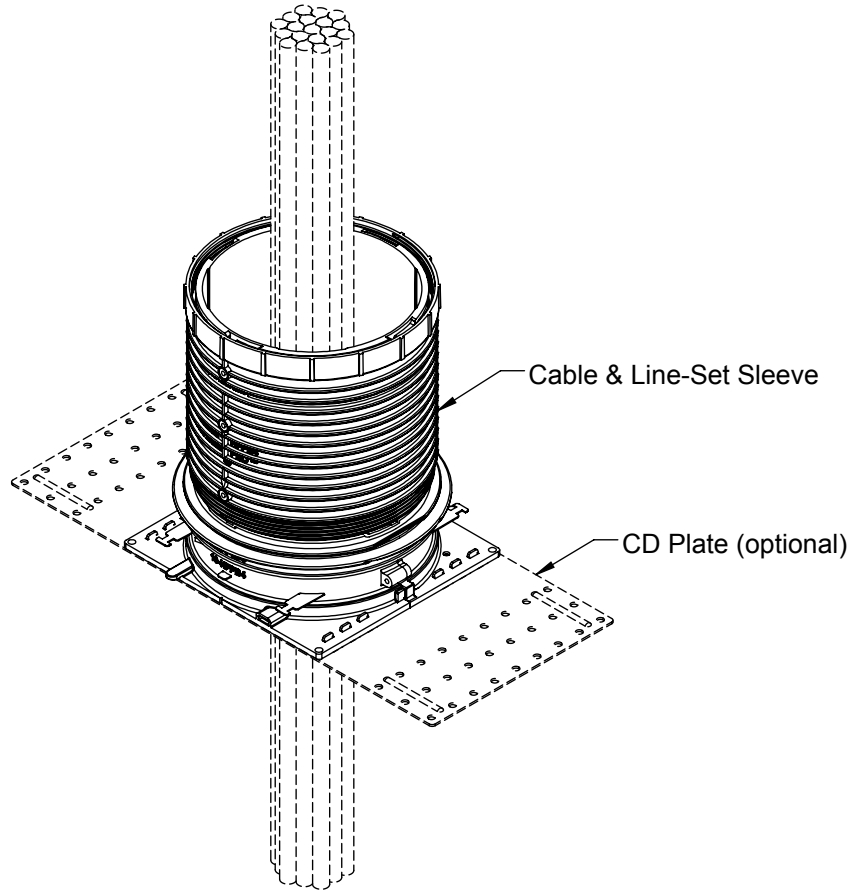


# PRODUCT SPECIFICATION DRAWING

## Hydroflame Pro Series - Cable & Line-Set Sleeves



The **HOLDRITE® Hydroflame Pro Series "Cable & Line-Set Sleeves"** are **UL Listed Firestop Devices** that provide **3-hour fire ratings** (as well as "T", "L" & "W" ratings, when installed per UL system drawings). Telescoping and non-telescoping versions are available. The Sleeves are approved to accept up to **45% cable fill**, refrigeration line-sets and multiple small pipes. Six sleeve sizes/varieties available. Optional "CD Plate" can be used for metal deck forms. Models include #HFP-CSM2, #HFP-CSM3, #HFP-CSM2B, #HFP-CSM3B, #HFP-LSP3 and #HFP-LSP3B.

**Product Information:**

- Material:
  - Main Sleeve Body, Base & Safety Cap: Polypropylene.
  - Mid-Body Seal: Thermal Plastic Rubber (TPR); Mold & Fungus resistant per ASTM G-21.
  - Locator Whiskers: Nylon.
  - Fire Ring: 24GA CRS.
  - Firestop Material: UL Listed Intumescent Composite.
- Patented & Patents Pending.
- See Hydroflame Pro Series Installation Instructions, Best Practices documents and the latest UL Fire Resistive Directory file (R25101) for details.

Product Submittal	
Job Name:	
Date:	
Part Number:	Qty:
Architect / Owner:	
Contractor:	
Notes:	

THIS INFORMATION IS PROPRIETARY TO HOLDRITE AND IS SUBJECT TO CHANGE WITHOUT NOTICE. IT MAY NOT BE REPRODUCED IN PART OR WHOLE WITHOUT WRITTEN AUTHORIZATION.

