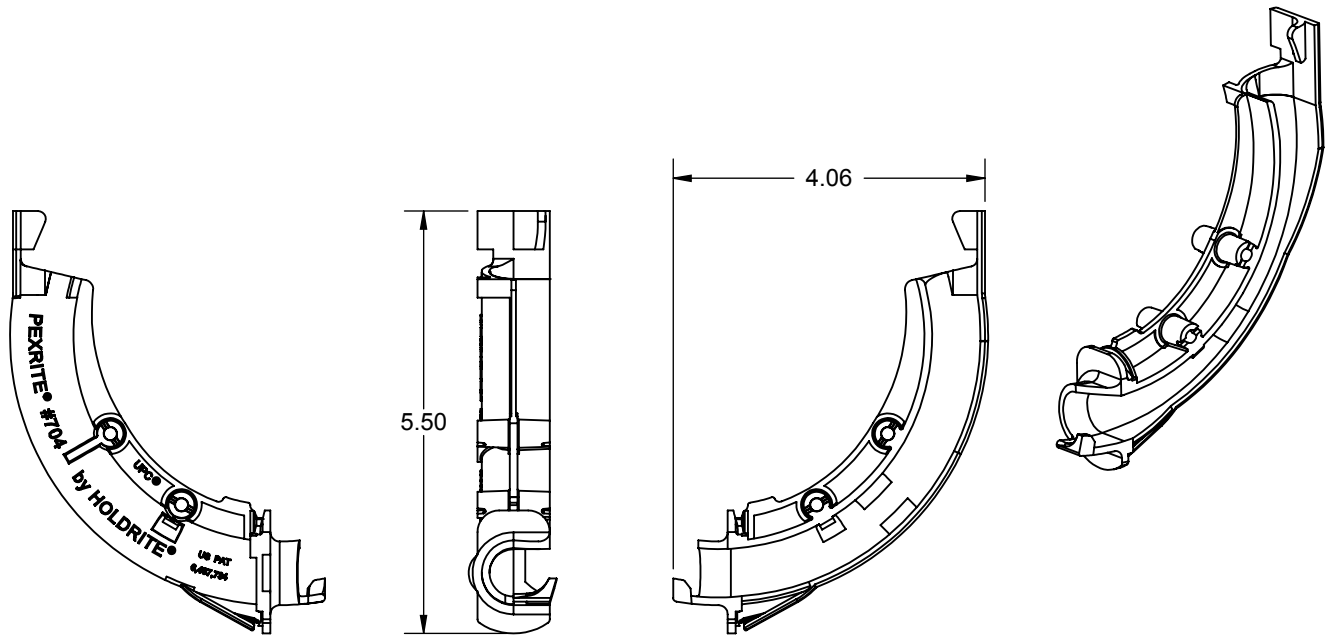


# PRODUCT SPECIFICATION DRAWING

## PEXRITE® TURN-OUT #704



ALL DIMENSIONS IN INCHES

**The PEXRITE® TURN-OUT #704. This bend support works with our PEXRITE® #103, #110-R, #709 and #721 series brackets or can be attached directly to framing. Supports either 3/8" or 1/2" PEX tubing. The PEXRITE® TURN-OUT #704 is for use with PEXRITE brackets only.**

### Product Information:

- Material: Nylon
- Temperature range: -10°F to +180°F
- Load rating: 25 pounds
- UPC / IPC / IAPMO listed



THIS INFORMATION IS PROPRIETARY TO HOLDRITE AND IS SUBJECT TO CHANGE WITHOUT NOTICE. IT MAY NOT BE REPRODUCED IN PART OR WHOLE WITHOUT WRITTEN AUTHORIZATION.



CONVERTING MAKESHIFT METHODS INTO ENGINEERED SOLUTIONS<sup>SM</sup>  
 800-321-0316 OR 760-744-6944 / FAX: 760-744-0507 / WWW.HOLDRITE.COM  
 spec\_704\_RevL

Product Submittal	
Job Name:	
Date:	
Part Number:	Qty:
Architect / Owner:	
Contractor:	
Notes:	