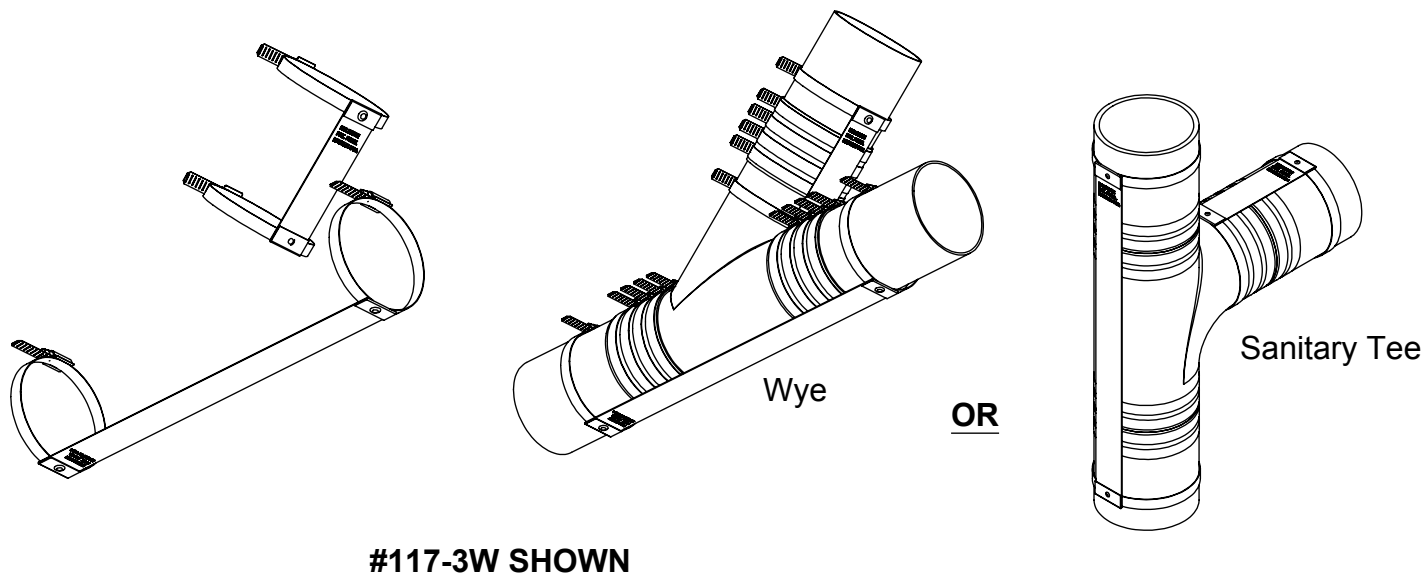


PRODUCT SPECIFICATION DRAWING

HOLDRITE® #117-3W thru -8W Series No-Hub Fitting Restraints



THE HOLDRITE® #117-W Series No-Hub Fitting Restraints are designed to reinforce no-hub cast iron installations in accordance with the installation instructions of U.S. cast iron soil pipe manufacturers and the 2006 CISPI Installation Handbook. The #117-3W thru #117-8W (2”- 8” pipe sizes) retain the Wye or Sanitary Tee onto the adjoining piping. All four stainless steel bands must be tightened to 60 in/lbs minimum. When installed correctly, these restraint brackets achieve a safe thrust pressure rating equal to 50’ head of water pressure.

NOTE:
While these restraint kits aid in compliance with the 2006 CISPI Handbook, they are not intended to suggest that no-hub pipe and fittings should be subjected to pressures in excess of the pipe manufacturers' recommendations.

NOTE: 5” – 8” sizes include additional straps, beyond what is illustrated above.

Product Information:

- Material:
 - Strap: 24GA, CRS, galvanized
 - Bands: Stainless steel body, band & screw
- Torque: 60 in/lbs. minimum on bands
- Patent pending
- Thrust force restraint test data available upon request
- Refer to installation instructions at www.holdrite.com

THIS INFORMATION IS PROPRIETARY TO HOLDRITE AND IS SUBJECT TO CHANGE WITHOUT NOTICE. IT MAY NOT BE REPRODUCED IN PART OR WHOLE WITHOUT WRITTEN AUTHORIZATION.



Product Submittal	
Job Name:	
Date:	
Part Number:	Qty:
Architect / Owner:	
Contractor:	
Notes:	