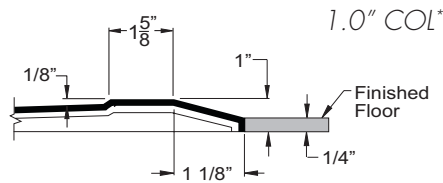
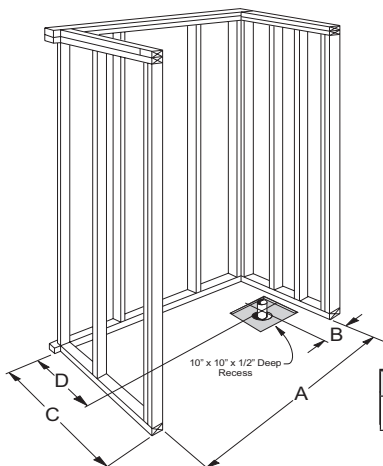
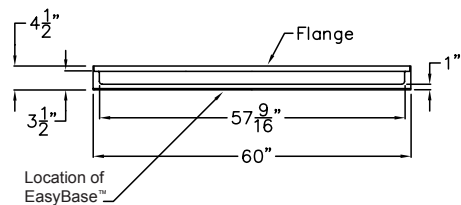
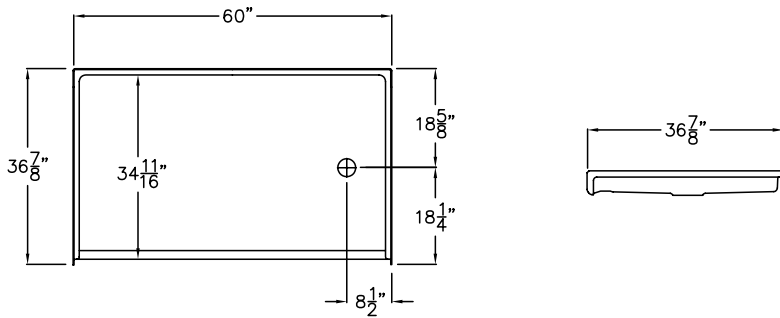
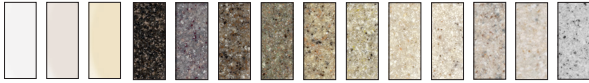


SAFE. ACCESSIBLE.  
BATHING SOLUTIONS.

**UPGRADE** to solid surface



A	B	C	D
60.25"	8.625"	36.875"	18.625"

Due to the nature of the materials, dimensions may vary +/- 0.5".

**MyPlace™ AcrylX™** shower bases

**MPB 6036 BF 1.0 L/R**

OUTER DIMENSION	60" x 36.875" x 4.5"
THRESHOLD	1.0" COL*
DRAIN	Left or Right
HANDED	Drain
SHIPPING WEIGHT	63
LOAD FACTOR	0.24
TRUCK LOAD FACTOR	0.24



Barrier Free  
Threshold



Solid Surface  
Finish



AcrylX™  
Finish

NOTES

\*COL Change of level threshold has a manageable 0.25" vertical rise to easily coordinate with minimum finished flooring.

**CODES** code compliant with IPC, UPC, and ANSI Z 124.2 only.

**EasyBase™** Self-supporting and pre-levelled shower base, EasyBase™, is standard on all barrier free shower bases. EasyBase™ is not offered on EasyStep™ models.

**RAPID SHIP** All shower bases are in stock for rapid shipment - ships in four business days.

**WARRANTY** All shower bases are offered with an unprecedented lifetime limited warranty.



THE PRAXIS COMPANIES | praxiscompanies.com  
customer service 800.443.7269