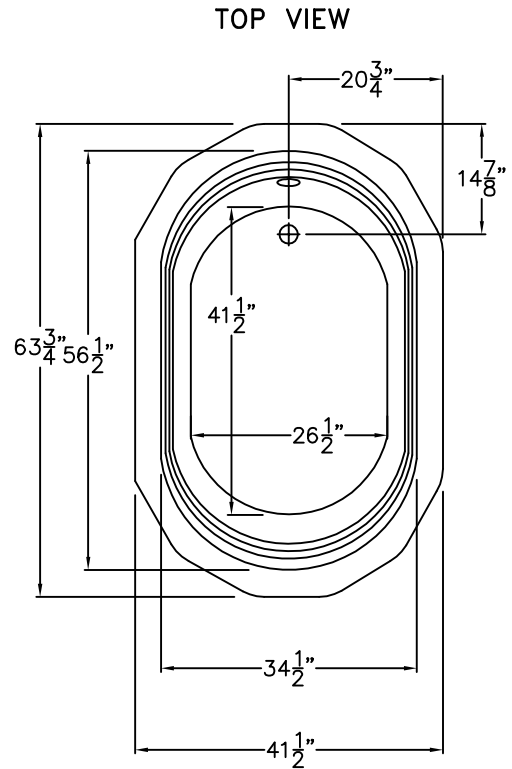
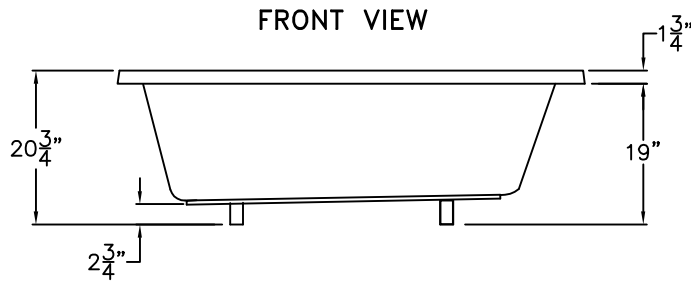


# Luxury Acrylic Series

## SUBMITTAL DATA



### Drop-In Bathtub

This drop-in style bathtub shall be Hamilton Model G 4264 TO right, or left. Finished surface shall be of sanitary-grade applied acrylic. The unit shall have outside dimensions of 63 3/4" x 41 1/2" x 20 3/4". The unit shall meet IAPMO Z124-2011, and CSA B45.5-11.

The enclosure shall be equipped with the following factory installed accessories:

- 1) Oval shaped bowl,
- 2) Left or right drain location.

\*May be configured with 4 whirlpool jets.

DUE TO THE NATURE OF THE MATERIALS  
DIMENSIONS MAY VARY ± 1/2"

Job Name:	HAMILTON	
Approved by Print Name:	Drawing#: G 4264 TO	
Approved by Signature:	Date:	Date: 2-9-07 Revised: 11-23-16
Rep.:	Wholesaler:	Quote No.:

PRAXIS INDUSTRIES, LLC.  
435 INDUSTRIAL ROAD, SAVANNAH, TN 38372  
1 (800) 326-5489 - FAX (888) 246-0466