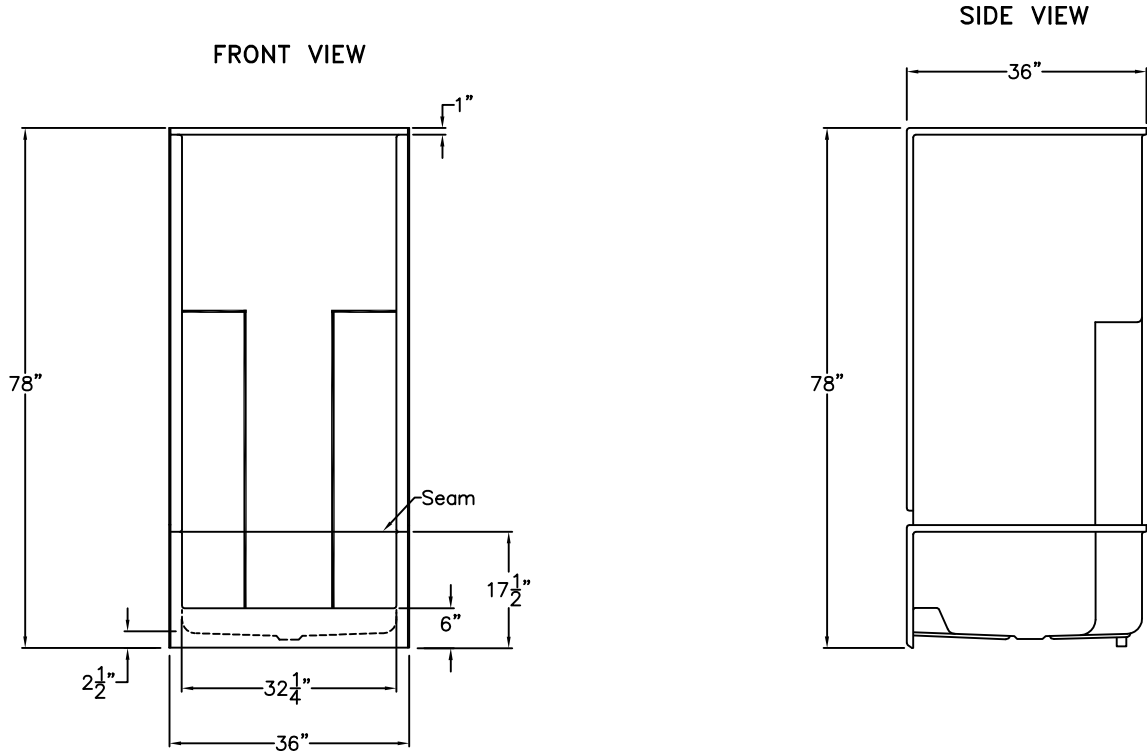


# Luxury Acrylic Series

## SUBMITTAL DATA

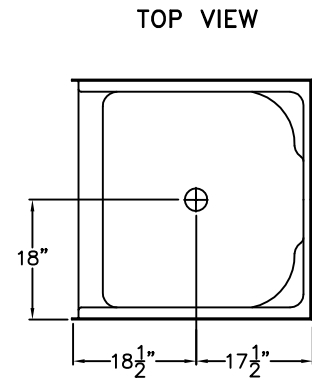


### Sectional Shower

This shower enclosure shall be Hamilton Model G 3687 SH 2P center, right, or left. Finished surface shall be of sanitary-grade applied acrylic. The unit shall have outside dimensions of 36" x 36" x 78". The unit shall meet IAPMO Z124-2011, and CSA B45.5-11.

The enclosure shall be equipped with the following factory installed accessories:

- 1) Molded corner soap dishes,
- 2) Two piece sectional design,
- 3) 6.0" threshold.



DUE TO THE NATURE OF THE MATERIALS  
DIMENSIONS MAY VARY ± 1/2"

Job Name:	HAMILTON	
Approved by Print Name:	Drawing#: G 3687 SH 2P	
Approved by Signature:	Date:	Date: 7-18-96      Revised: 11-21-16
Rep.:	Wholesaler:	Quote No.:

PRAXIS INDUSTRIES, LLC.  
ROUTE 1, BOX 46D - SAVANNAH, TN 38372  
1 (800) 443-7269 - FAX (731) 925-4290