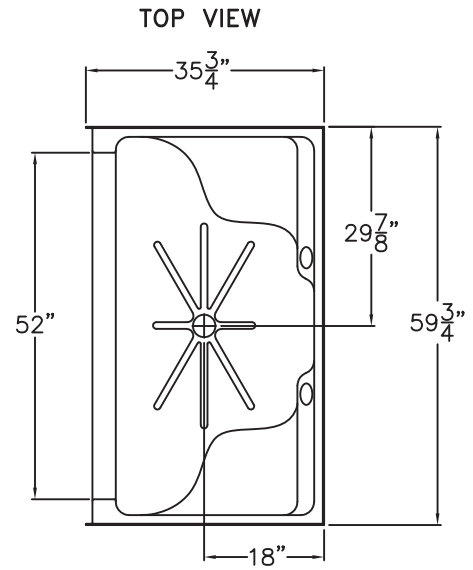
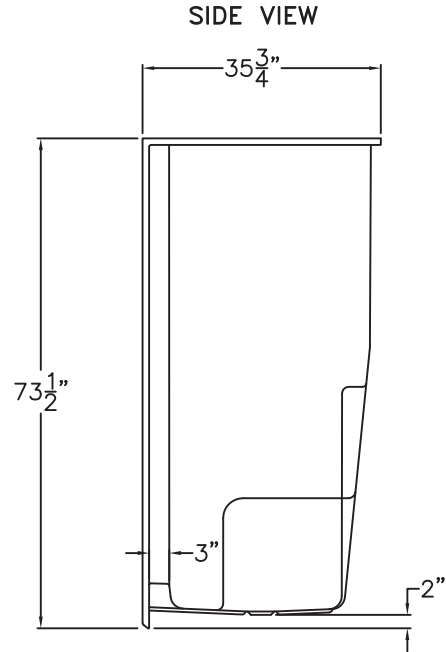
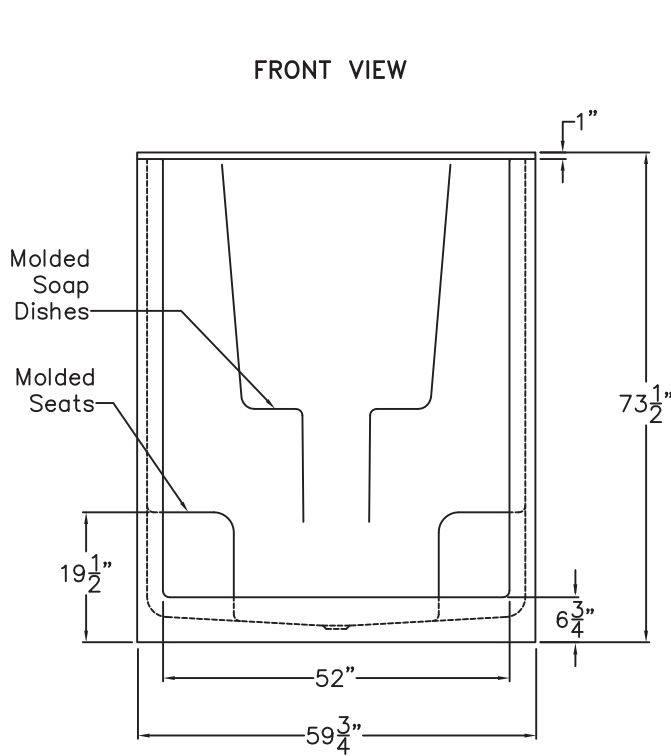


# LUXURY ACRYLIC SERIES

## SUBMITTAL DATA



### Smooth Wall Acrylic Shower

The tub shower enclosure shall be Praxis model S631 center drain. Finished surface shall be sanitary grade applied acrylic. The unit shall have outside dimensions of 59 3/4" x 35 3/4" x 73 1/2".

The unit shall meet IAPMOZ124-2011, and CSA B45.5-11.

The unit shall be equipped with the following factory installed accessories:

- 1) Molded seats,
- 2) Molded soap dishes,
- 3) Center drain location,
- 4) 6 3/4" Threshold.

DUE TO THE NATURE OF THE MATERIALS  
DIMENSIONS MAY VARY ± 1/2"

Model:		PRAXIS	
Approved by Print Name:		Drawing#: S631	
Approved by Signature:	Date Approved:	Date: 7-18-96	Revised: 11-10-16
Rep.:	Wholesaler:	Quote No.:	

PRAXIS INDUSTRIES, INC.  
435 INDUSTRIAL RD - SAVANNAH, TN 38372  
1 (800) 443-7269 - FAX (901) 925-4290