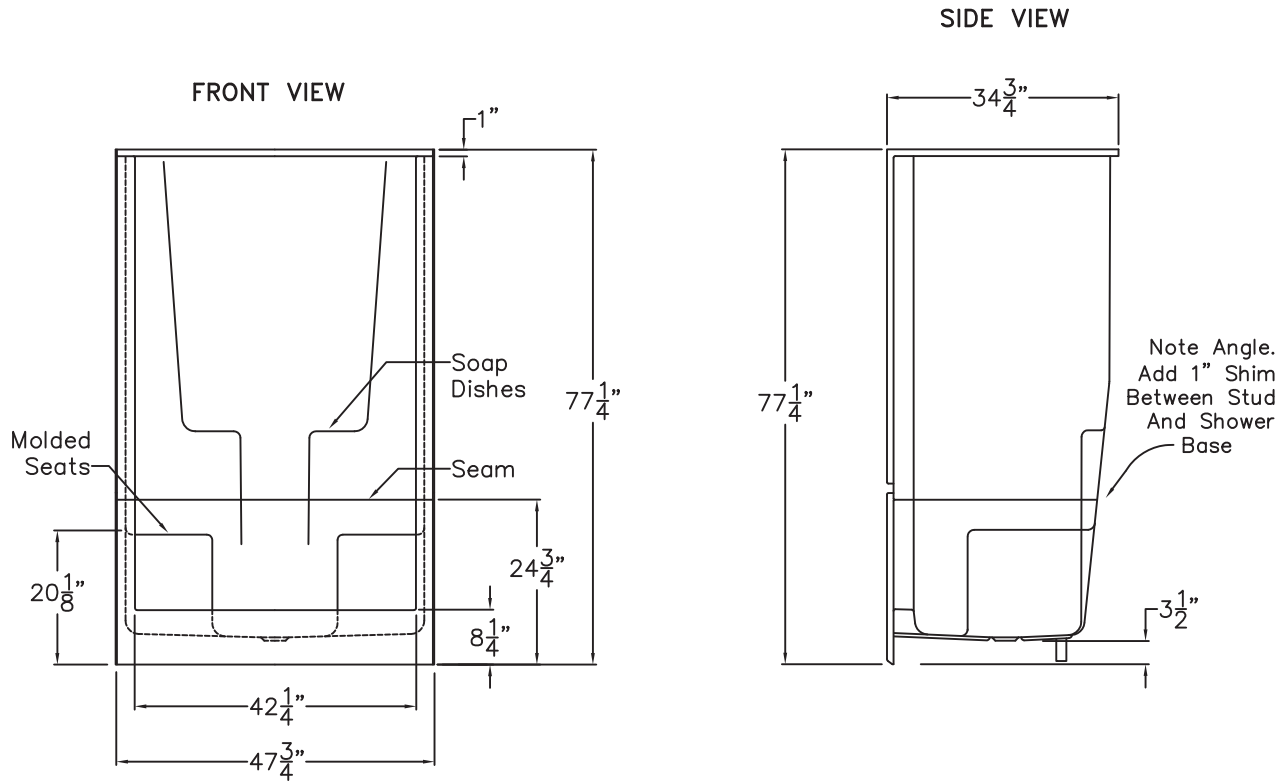


LUXURY ACRYLIC SERIES

SUBMITTAL DATA



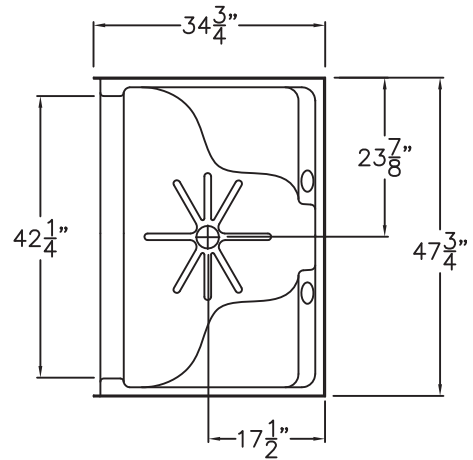
Smooth Wall Sectional Acrylic Shower

The shower enclosure shall be Praxis model SKD385 2P center drain. Finished surface shall be sanitary grade applied acrylic. The unit shall have outside dimensions of 47 3/4" x 34 3/4" x 77 1/4".

The unit shall meet IAPMOZ124-2011, and CSA B45.5-11.

The unit shall be equipped with the following factory installed accessories:

- 1) Two molded seats,
- 2) Two molded soap dishes,
- 3) Center drain location,
- 4) Two piece sectional design,
- 5) Above floor rough-in,
- 6) 8 1/4" Threshold.



DUE TO THE NATURE OF THE MATERIALS DIMENSIONS MAY VARY ± 1/2"

Model:	PRAXIS	
Approved by Print Name:	Drawing#: SKD385 2P	
Approved by Signature:	Date Approved:	Date: 7-18-96 Revised: 11-10-16
Rep.:	Wholesaler:	Quote No.:

PRAXIS INDUSTRIES, INC.
 435 INDUSTRIAL RD - SAVANNAH, TN 38372
 1 (800) 443-7269 - FAX (901) 925-4290