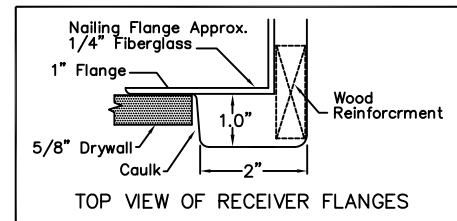
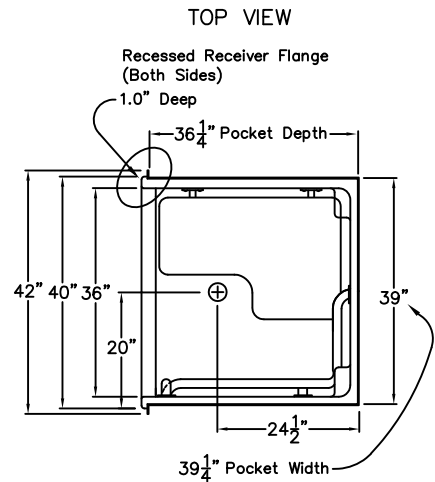
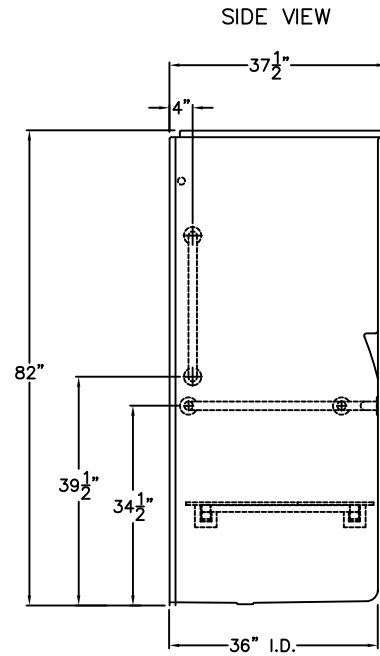
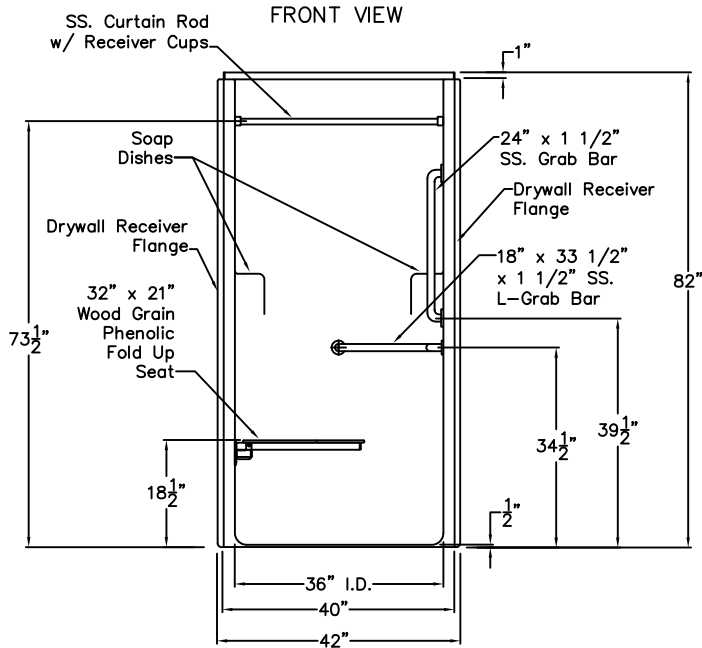


Special Needs Series

SUBMITTAL DATA



DUE TO THE NATURE OF THE MATERIALS DIMENSIONS MAY VARY ± 1/4"

Transfer Shower Stall

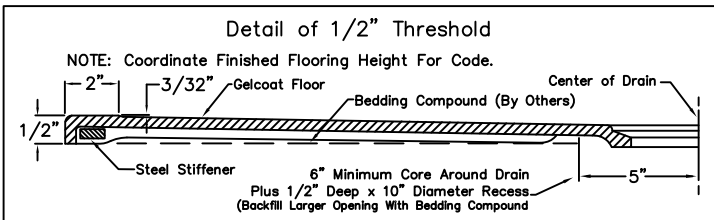
The shower enclosure shall be Hamilton model G 3682 IBS right or left. Finished surface shall be of a sanitary grade polyester gelcoat exhibiting a minimal thickness of 15 dry mils, and a finished Barcol hardness of 80-90 as tested with ASTM D-2583. Unit construction shall be of molded reinforced fiberglass with a 15% minimum fiberglass content. The unit shall have outside dimension of 39" x 37 1/2" x 82". The base shall be attached to the sump in such a manner to form an integral part with an inner and outer coating of reinforced polyester resin. The unit shall meet the requirements of the Southern Building Code.

The enclosure shall be equipped with the following installed accessories:

- 1) One 18" x 33 1/2" x 1 1/2" diameter 18 gauge stainless steel L-grab bar,
- 2) One 24" x 1 1/2" diameter 18 gauge stainless steel grab bar vertical on the valve wall, both with 1 1/2" statute clearance, mounted from the rear with stainless steel bolts, and 3" x 3" x 11 gauge metal mounting plates,
- 3) 32" x 21" frameless white HDPE fold up seat,
- 4) Molded recessed receiver flange on both sides,
- 4) Molded corner soap dishes,
- 5) One inch diameter stainless steel curtain rod with receiver cups,
- 6) Valve package includes: control valve, hand held shower set with swivel connector, 60" flex hose, 30" slide bar, vacuum breaker, wall water outlet fitting,
- 7) 1/2" threshold.

Available accessories: 1) Green anti-bacterial shower curtain with hooks, 2) White weighted shower curtain with hook, 3) Recessed soap dish, 4) Nurses call box drilling. 5) Easy Base.

NOTE: THIS UNIT WILL NOT ACCEPT A DOOR!



HAMILTON

Approved By Print Name:

Drawing#: G 3682 IBS .50 Package 1 ADA

Approved By Signature:

Date:

Date: 6-21-07

Revised: 10-30-15

Rep.:

Wholesaler:

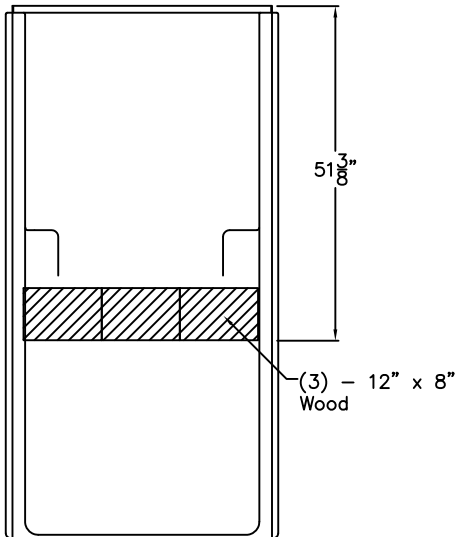
Quote No.:

PRAXIS INDUSTRIES, LLC.
 435 INDUSTRIAL RD - SAVANNAH, TN 38372
 1 (800) 443-7269 - FAX (731) 925-4290

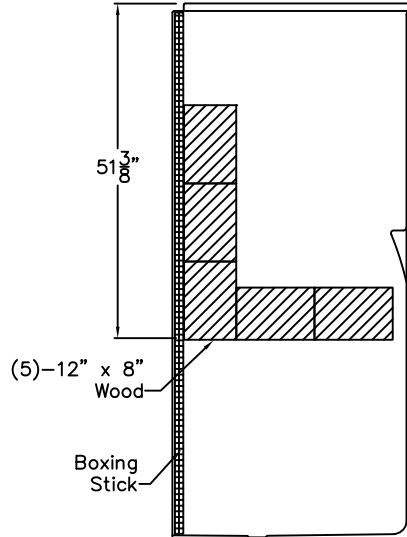
Board Placement

SUBMITTAL DATA

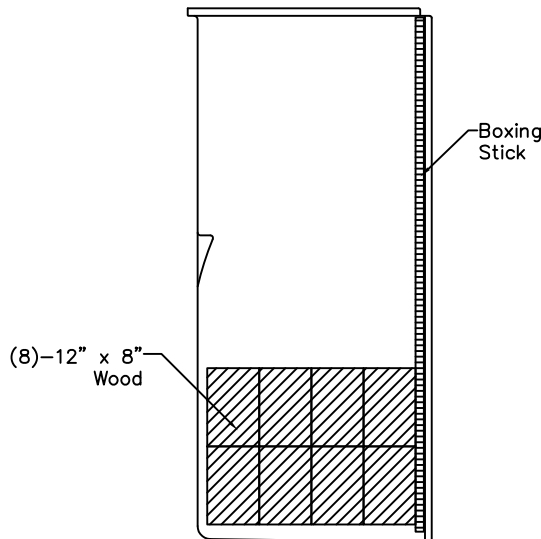
FRONT VIEW



SIDE VIEW



SEAT SIDE VIEW



DUE TO THE NATURE OF THE MATERIALS
DIMENSIONS MAY VARY ± 1/4"

Job Name:	HAMILTON		
Approved by Print Name:	Drawing#: G 3682 IBS .50 Package 1 ADA-BP		
Approved by Signature:	Date:	Date: 3-15-07	Revised: 10-30-15
Rep.:	Wholesaler:	Quote No.:	

PRAXIS INDUSTRIES, LLC.
435 INDUSTRIAL ROAD, SAVANNAH, TN 38372
1 (800) 443-7269 - FAX (731) 925-4290