

CANTERBURY-1508N

CHELSEA-1108N

SUSSEX-1708

INSTALLATION
INSTRUCTIONS

for

DOUBLE POST
TOILET TISSUE
HOLDER

GINGER®

GINGER

2001 CARNEGIE AVE
SANTA ANA CA 92705
949-417-5207
www.gingerco.com

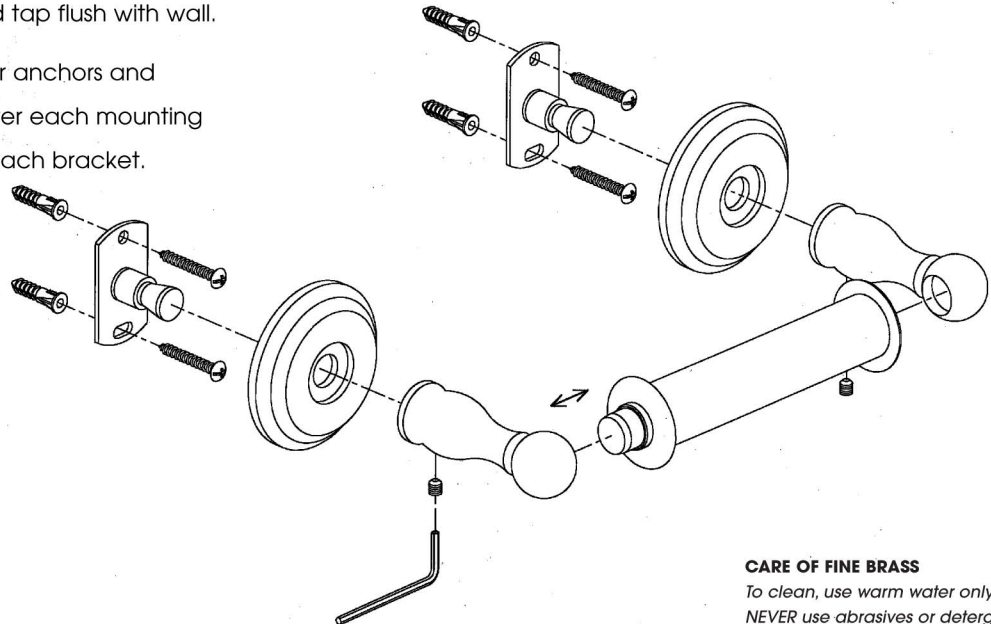
INSTALLATION INSTRUCTIONS

Canterbury-1508N, Chelsea-1108N, Sussex®-1708

Double Post Toilet Tissue Holder

1. Mark CTC (Center to Center - see chart at right) dimension of tissue holder on wall at desired mounting position.
2. Position center of mounting bracket over marks made in Step 1 and trace screw hole positions for both brackets onto wall.
3. Drill 3/16" (5mm) holes in drywall, 1/4" (6mm) in tile at screw hole marks. Insert anchors and tap flush with wall.
4. Position mounting bracket over anchors and install screws. Place rosette over each mounting bracket, then slide post onto each bracket.
5. Tighten set screws into the posts with hex key.
6. Compress roller and insert between the posts of the unit.

APPLICATIONS:		CTC
Canterbury	Chelsea	6" (152.4)
Sussex		5 5/8" (142.875)



CARE OF FINE BRASS

To clean, use warm water only.
NEVER use abrasives or detergents.