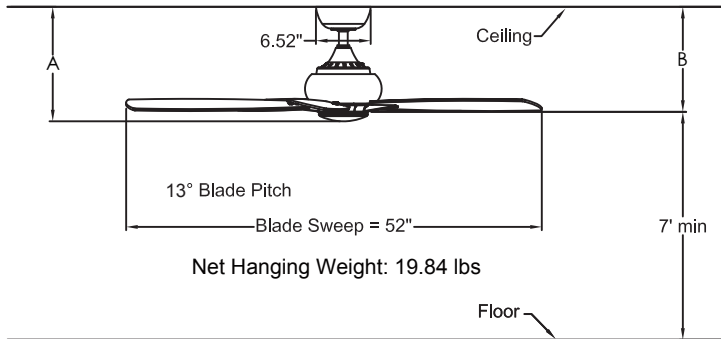


DOREN™**FP8533**
Ceiling Fan****INSTALLATION REQUIREMENTS:**

Ceiling fan attaches to electrical junction box securely anchored and capable of withstanding a load of at least 35 lbs.

ELECTRICAL REQUIREMENTS:

Ceiling fan requires a grounded electrical supply line of 120 volts AC, 60 Hz, 15 amp circuit.

MOTOR SPECS:

172 x 20 AC motor is designed for optimal performance with this fan.

BLADE SETS:

A set of five 21.73" plywood blades is included.

CONTROL OPTIONS:

TR500 hand-held remote control is included. Push button remote control with variable fan speeds, infinite light levels and off button. Optional WC2WH and WR501WH wall controls, BTCR9 hand-held remote control and BTR9 receiver unit and WFR50 WiFi receiver unit are available—sold separately. Instructions are provided with each control.

LIGHTING OPTIONS:

One 17-watt LED included.

DOWNROD OPTIONS:

Fan comes with 1" dia. x 4.5" long downrod (DR1-4.5). Optional downrods available in 12", 18", 24", 36", 48", 60", and 72" lengths. A downrod coupler is available for installations requiring a downrod longer than 72". Fan can be mounted on a sloped ceiling up to 27°. Most sloped ceiling installations require a downrod longer than the standard 12" downrod. Optional sloped ceiling kits (SCB1-52) are available for slope an angles up to 42°. Optional close-to-ceiling kit is available as well—sold separately. Call technical support for more information.

LOCATION USE:

Fan is rated for dry locations.

	A	B
Fan w/4.5" downrod	13.65"	12.53"
Fan w/12" downrod	21.15"	20.03"
Fan w/18" downrod	27.15"	26.03"
Fan w/24" downrod	33.15"	32.03"
Fan w/36" downrod	45.15"	44.03"
Fan w/48" downrod	57.15"	56.03"
Fan w/60" downrod	69.15"	68.03"
Fan w/72" downrod	81.15"	80.03"

Available Finishes

BL	Black with Black Blade and Opal Frosted Glass/Steel Cap
BN	Brushed Nickel with Brushed Nickel/Black Blade and Opal Frosted Glass/Steel Cap
DZ	Dark Bronze with Cherry/Dark Walnut Blade and Opal Frosted Glass/Steel Cap
GR	Matte Greige with Weathered Wood Blade and Opal Frosted Glass/Steel Cap
PN	Polished Nickel with Black Blade and Opal Frosted Glass/Steel Cap

Airflow / Energy Efficiency Info (120V)

Fan Speed	Max RPM	CFM	CFM / Watts	Amps	Watts
High	163	5198	89	0.49	59
Med	121	3756	114	0.37	33
Low	72	2159	160	0.23	13

Energy Guide FTC

Power (W _{ave})	Total Air Delivery (CFM _{ave})	Estimated Yearly Energy Cost (\$)	Ceiling Fan Efficiency (CFM/W)
39	3774	11	97

Light Bulb Information (120V)

Bulb Type	Watts	QTY	Lumens Amount	Color Temp	CRI
LED	17	1	1350	3000	90%