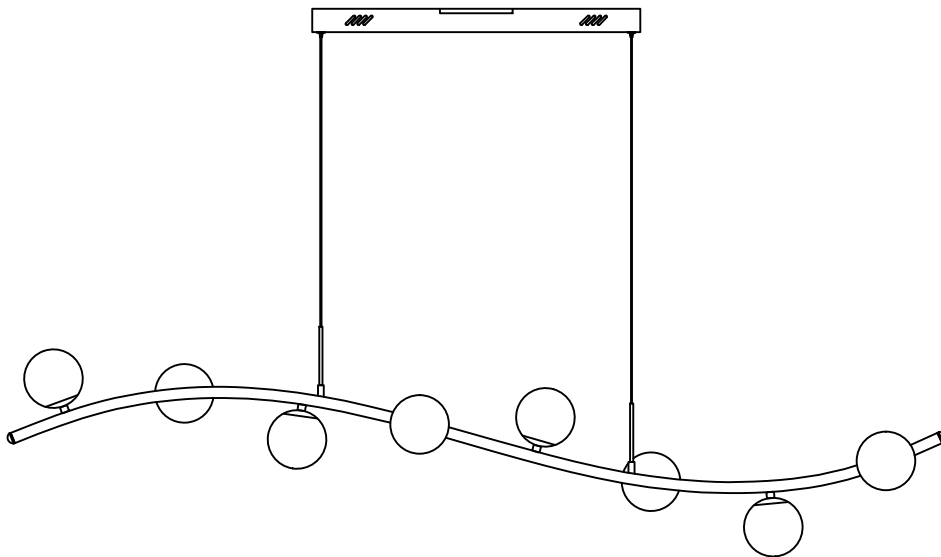


Contemporary Lighting™

PRODUCT NAME: Rover 8LT Pendant
ITEM NUMBER: E24765

Please consult your electrician for hanging fixture and wiring.



The fixture is designed to dim with a standard Triac forward phase dimmer. Dimming levels will vary by dimmer.

Below is a list of recommended dimmers:

Lutron MACL-153M

Lutron DVL-153P

Lutron SCL-153P

Leviton IPL06-10Z

Leviton 6674-POW

Due to inrush current wattage should not exceed 150 watts of product for a 600 watt dimmer.

WARNING: Wires need to be connected to driver found in canopy and should not be connected directly to power source or a short may occur.

Bulb (integrated):24W

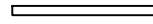
IMPORTANT: Turn off the power at the main fuse or circuit breaker box before starting installation



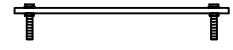
Bracket (A)



Mounting Screws(B)

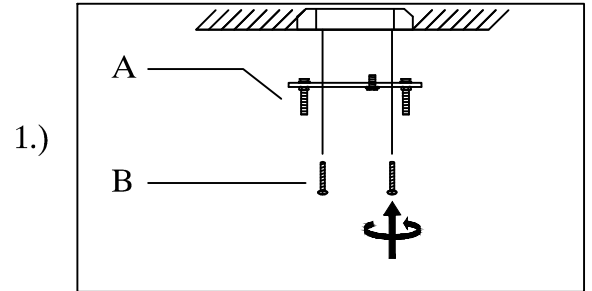
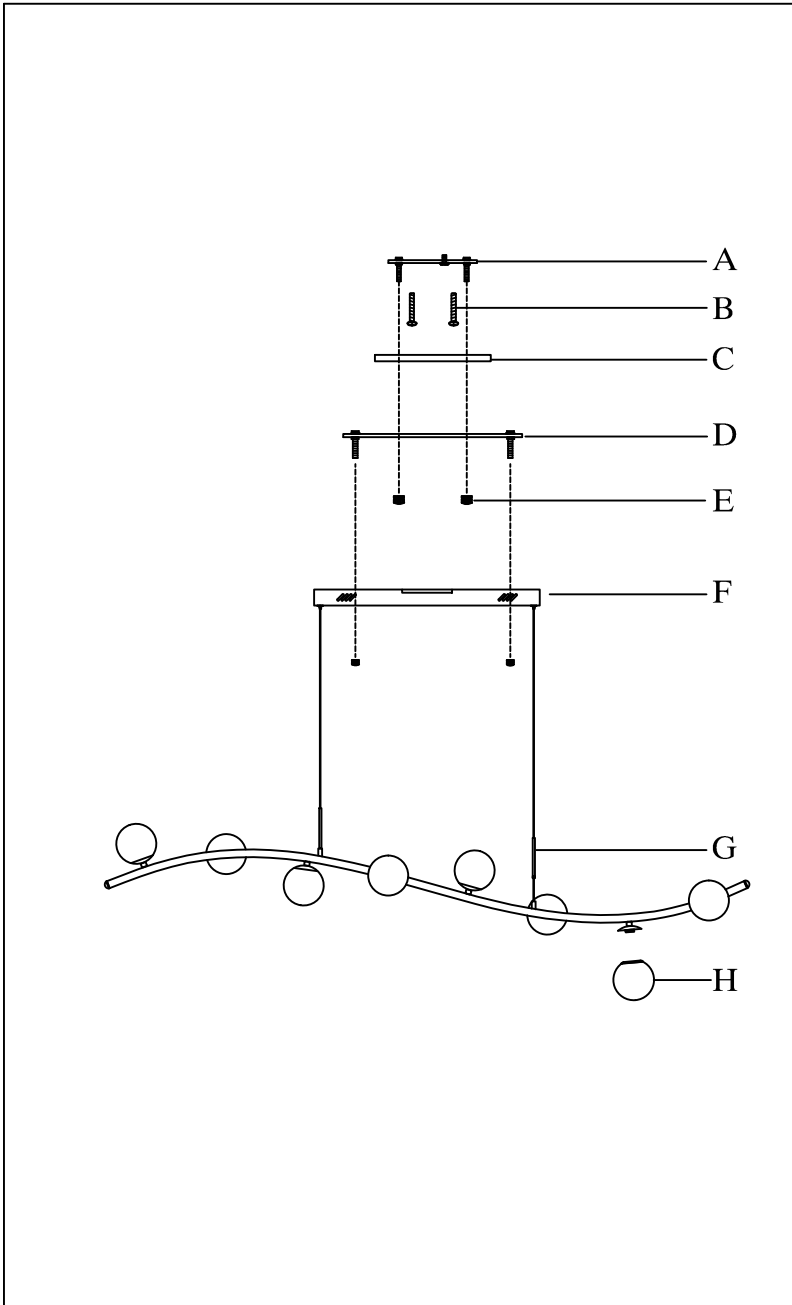


Square Box(C)



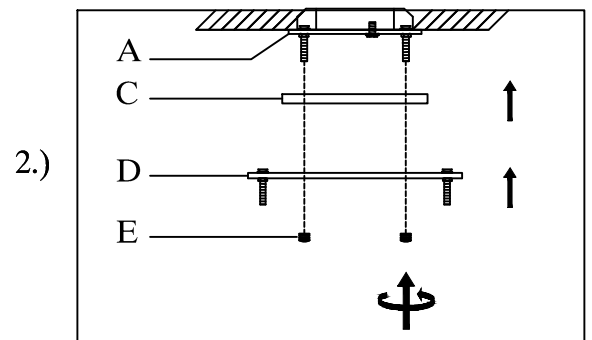
Bracket (D)

Locate all hardware & components before discarding packaging



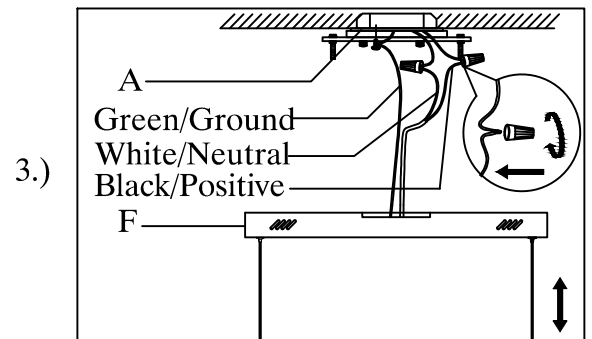
1.)

Step1 :Remove mounting bracket from fixture and install to electrical box.



2.)

Step2 :Install fixture to bracket and Nuts at the ends of the bracket to secure.



3.)

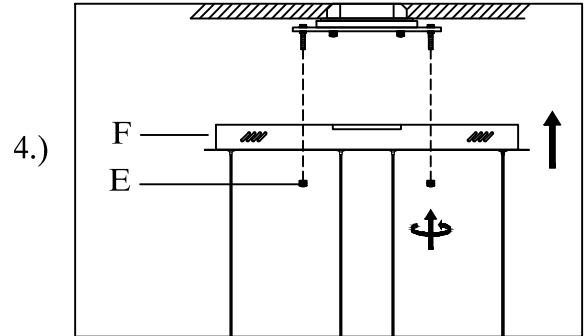
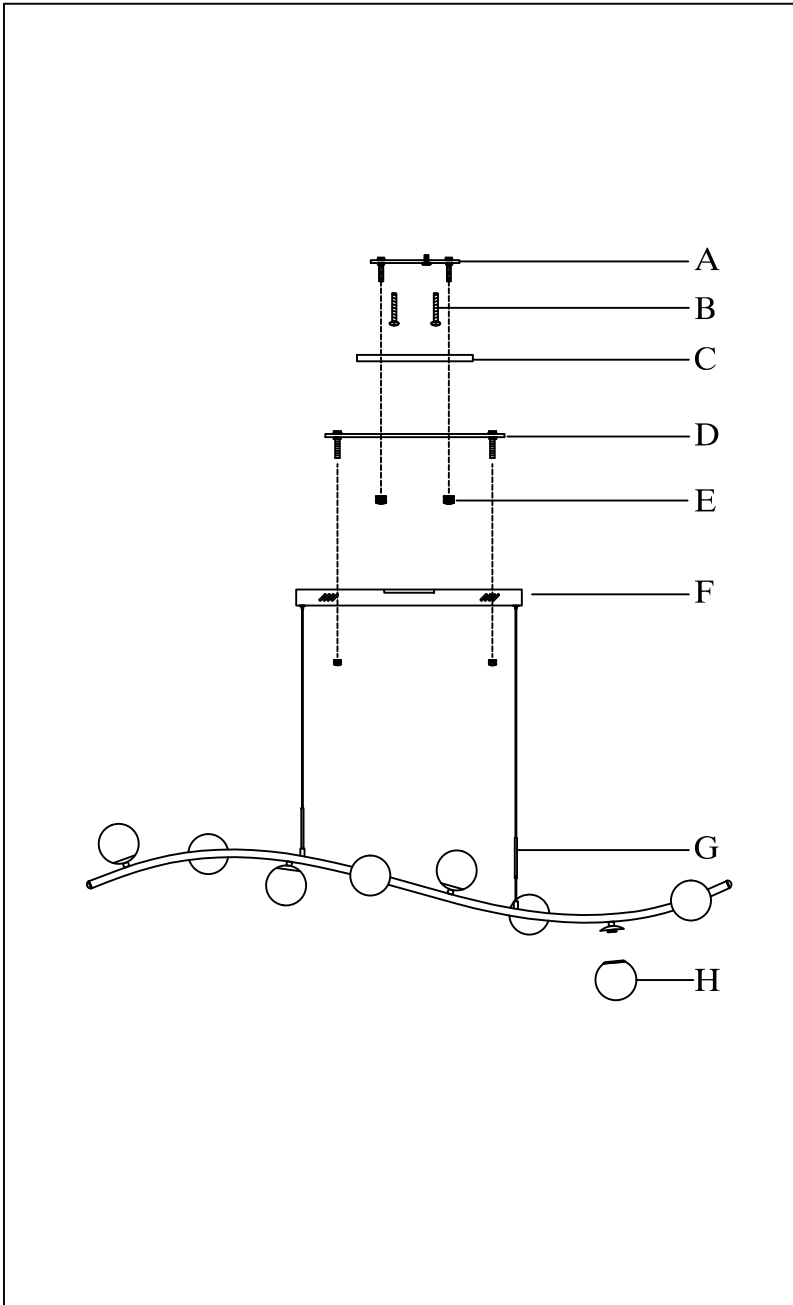
Step3 :Adjust wire length to desired mounting height, and tighten strain relief screws to secure. Wire fixture to wires in outlet box. Green wire is for Ground.

Cleaning & Care:
Clean with soft cloth and a mild detergent.
Do not use abrasive cleaner.

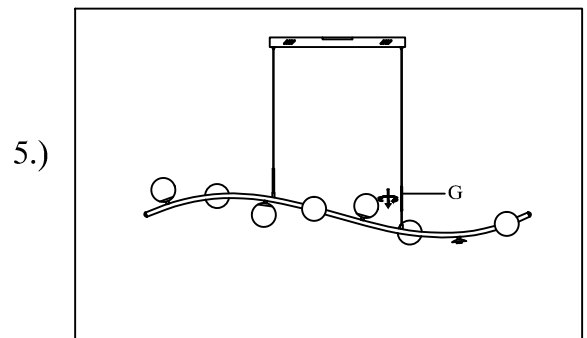
IMPORTANT: Turn off the power at the main fuse or circuit breaker box before starting installation



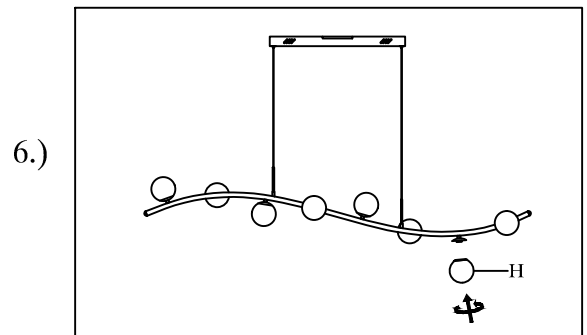
Locate all hardware & components before discarding packaging



Step4 :Install fixture to bracket and Nuts at the ends of the canopy to secure.



Step5 :Install Hanger into socket.

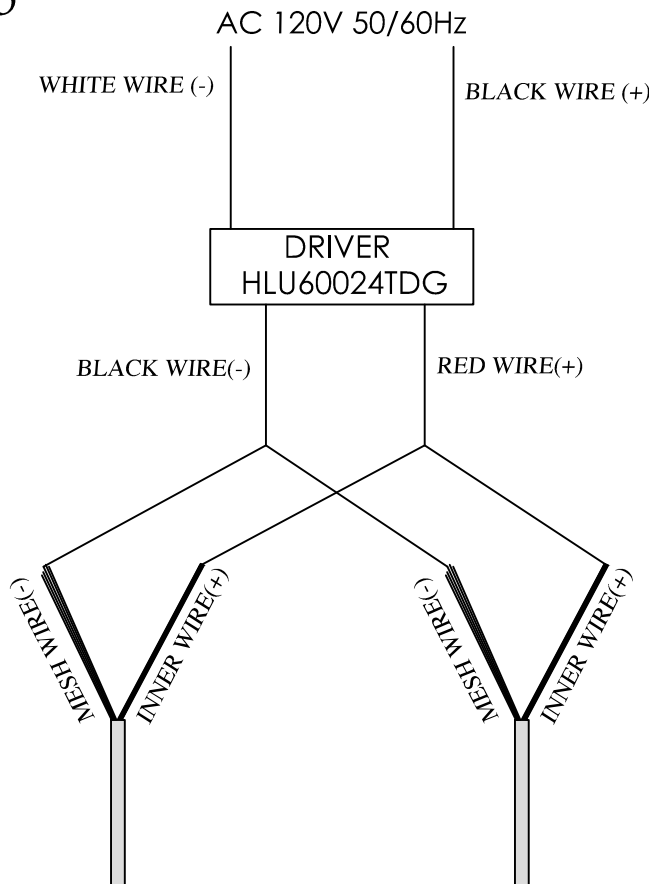


Step6 :Install Lampshade into socket.

Cleaning & Care:
Clean with soft cloth and a mild detergent.
Do not use abrasive cleaner.

This fixture **must** be installed with compatible dimmer types only. Improper wiring of fixture and/or use of incorrect dimmers will cause **catastrophic failure** and void the warranty.

E24765



SCHEMATIC FOR GENERAL REFERENCE ONLY

Refer to dimmer manufacturer's instructions for proper installation.

USE ONLY

Triac Dimmers
Lutron DVCL-150P

DO NOT USE

0-10V or magnetic dimmer

IMPORTANT

Make sure that your dimmable LED fixture is paired with the correct dimmer type

Must be installed by a licensed electrician with knowledge of electronic lighting systems