
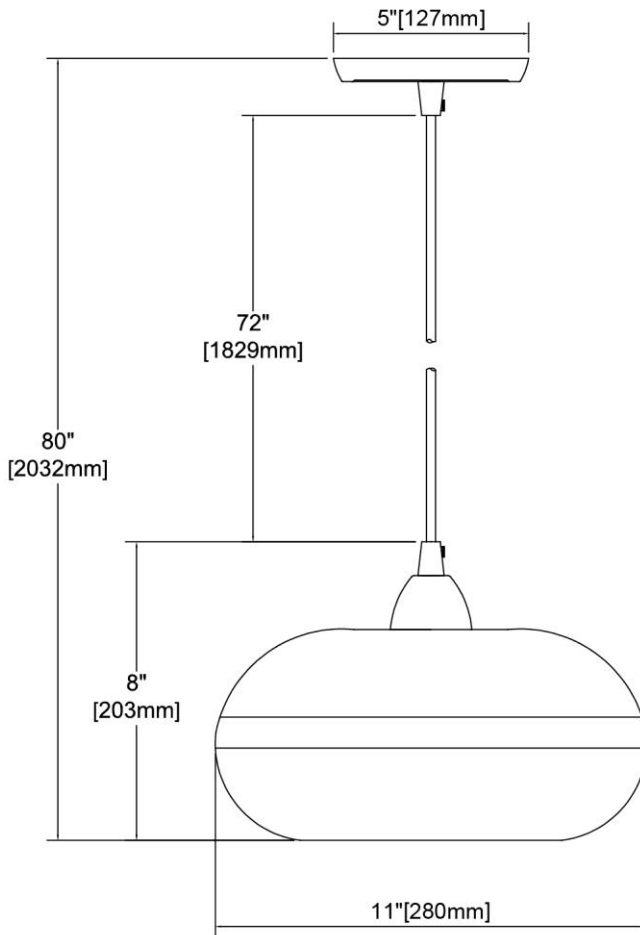


|   |                    |   |
|---|--------------------|---|
|  | <b>ITEM #:</b>     | 85212/1   |
|   | <b>UPC</b>         | 748119131535  |
|   | <b>Description</b> | Hazelton 1-Light Mini Pendant in Oil Rubbed Bronze with Earth Brown Fused Glass |
|   | <b>Finish</b>      | Oil Rubbed Bronze   |
|   | <b>Materials</b>   | Glass, Steel  |
|   | <b>Brand</b>       | ELK Lighting  |
|   | <b>Collection</b>  | Hazelton  |
|   | <b>Category</b>    | Indoor Lighting   |
|   | <b>Type</b>        | Mini Pendant  |

| ITEM DIMENSIONS              |            |  |             | RATINGS & SPECIFICATIONS        |                         |                |                        |                          |
|------------------------------|------------|--|-------------|---------------------------------|-------------------------|----------------|------------------------|--------------------------|
| <b>Width</b>                 | 11 inches  |  |             | <b>Safety Rating</b>            | ETL                     |                | <b>Certification</b>   | Dry locations            |
| <b>Depth</b>                 | 11 inches  |  |             | <b>ADA Compliant</b>            | N/A                     |                | <b>Voltage</b>         | 120                      |
| <b>Height</b>                | 8 inches   |  |             | <b>BULBS / SOCKETS</b>          |                         |                |                        |                          |
| <b>Weight</b>                | 5 pounds   |  |             | <b>Quantity</b>                 | 1                       | <b>Wattage</b> | 60 watts               |                          |
| <b>ADDITIONAL DIMENSIONS</b> |            |  |             | <b>Included</b>                 | No                      |                | <b>Type</b>            | A19 (E26 Medium Base)    |
| <b>Backplate / Canopy</b>    | 5 diameter |  |             | <b>Other</b>                    | N/A                     |                |                        |                          |
| <b>HCWO</b>                  | N/A        |  |             | <b>CHAIN / CORD INFORMATION</b> |                         |                |                        |                          |
| <b>Min. Extension</b>        | N/A        |  |             | <b>Chain</b>                    | N/A                     |                | <b>Cord</b>            | 72 inches - Brown Fabric |
| <b>Max. Extension</b>        | N/A        |  |             | <b>SHADE / GLASS DETAILS</b>    |                         |                |                        |                          |
| <b>OVERALL HEIGHT</b>        |            |  |             | <b>Shade/Glass Description</b>  | Earth brown fused glass |                |                        |                          |
| <b>Min.</b>                  | 11 inches  |  | <b>Max.</b> | 80 inches                       |                         |                |                        |                          |
| <b>EXTENSION ROD(S)</b>      |            |  |             | <b>Width</b>                    | 11 inches               |                | <b>Height</b>          | 6 inches                 |
| N/A                          |            |  |             | <b>Width at Top</b>             | N/A                     |                | <b>Width at Bottom</b> | N/A                      |



Rev. 5/13/2019