
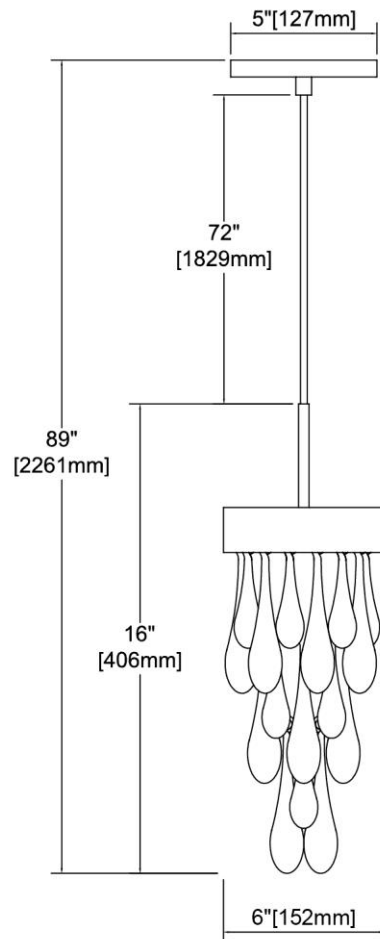


|   |                    |  |
|---|--------------------|--|
|  | <b>ITEM #:</b>     | 32343/1  |
|   | <b>UPC</b>         | 748119132976   |
|   | <b>Description</b> | Morning Frost 1-Light Mini Pendant in Silver Leaf with Clear and Frosted Glass Drops |
|   | <b>Finish</b>      | Silver Leaf  |
|   | <b>Materials</b>   | Glass, Steel   |
|   | <b>Brand</b>       | ELK Lighting   |
|   | <b>Collection</b>  | Morning Frost  |
|   | <b>Category</b>    | Indoor Lighting  |
|   | <b>Type</b>        | Mini Pendant   |

| ITEM DIMENSIONS              |            |             |           | RATINGS & SPECIFICATIONS        |                               |                |                               |               |
|------------------------------|------------|-------------|-----------|---------------------------------|-------------------------------|----------------|-------------------------------|---------------|
| <b>Width</b>                 | 6 inches   |             |           | <b>Safety Rating</b>            | UL                            |                | <b>Certification</b>          | Dry locations |
| <b>Depth</b>                 | 6 inches   |             |           | <b>ADA Compliant</b>            | N/A                           |                | <b>Voltage</b>                | 120           |
| <b>Height</b>                | 16 inches  |             |           | <b>BULBS / SOCKETS</b>          |                               |                |                               |               |
| <b>Weight</b>                | 4 pounds   |             |           | <b>Quantity</b>                 | 1                             | <b>Wattage</b> | 60 watts                      |               |
| <b>ADDITIONAL DIMENSIONS</b> |            |             |           | <b>Included</b>                 | No                            | <b>Type</b>    | Torpedo (E12 Candelabra Base) |               |
| <b>Backplate / Canopy</b>    | 5 diameter |             |           | <b>Other</b>                    | N/A                           |                |                               |               |
| <b>HCWO</b>                  | N/A        |             |           | <b>CHAIN / CORD INFORMATION</b> |                               |                |                               |               |
| <b>Min. Extension</b>        | N/A        |             |           | <b>Chain</b>                    | N/A                           | <b>Cord</b>    | 72 inches - Clear             |               |
| <b>Max. Extension</b>        | N/A        |             |           | <b>SHADE / GLASS DETAILS</b>    |                               |                |                               |               |
| <b>OVERALL HEIGHT</b>        |            |             |           | <b>Shade/Glass Description</b>  | Clear and frosted glass drops |                |                               |               |
| <b>Min.</b>                  | 18 inches  | <b>Max.</b> | 89 inches |                                 |                               |                |                               |               |
| <b>EXTENSION ROD(S)</b>      |            |             |           | <b>Width</b>                    | N/A                           |                | <b>Height</b>                 | N/A           |
| N/A                          |            |             |           | <b>Width at Top</b>             | N/A                           |                | <b>Width at Bottom</b>        | N/A           |



Rev. 5/13/2019