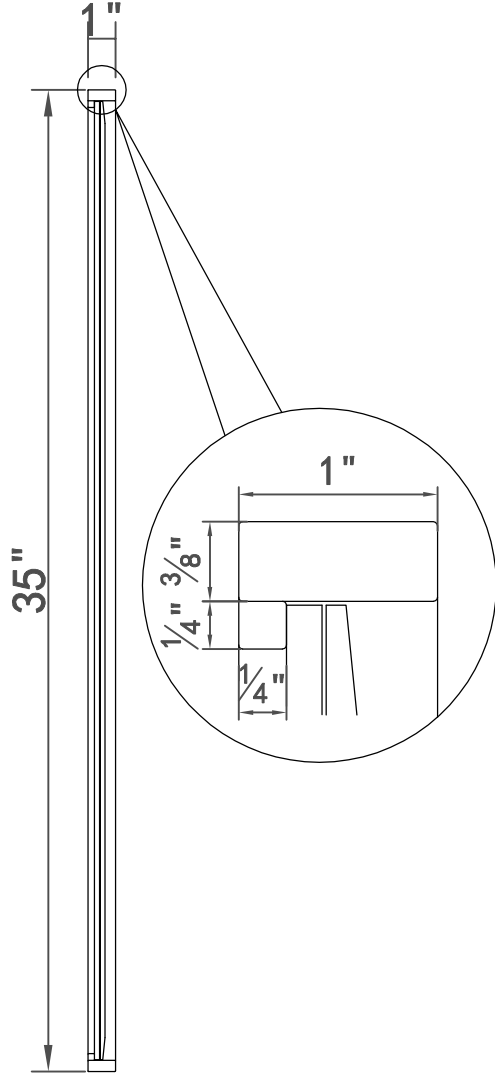


Front view



Side view

DWG. NO.

MODEL NO:  
MR4541S

SPEC NO:

QUANTITY:

DATE:

CHECKED BY:

FOR PROPOSAL ONLY ALL DIMENSIONS TO BE VERIFIED

PROJECT:

COLOR:

FINISH:


REVISIONS

①	
②	
③	
④	
⑤	
⑥	



500-550 E. Erie Avenue  
Philadelphia PA 19134  
1-888-388-3390

Mdel #	Product Type	Style	Product Width (in)	Product Depth (in)	Product Height (in)	Mirror Width	Mirror Depth
MR4541S	Mirror	Contemporary	41	1	35	40.125"	0.16"
Mirror Height	Frame shape	Orientation	Frame finish	Frame material	Mbunting / attachment type	Number of brackets	Beveled glass
34.25"	hexagon	Vertical and Horizontal	Sliver	Metal and MDF	Metal Inset hanger	4	Yes
Frameless	Package LENGTH	Packaged WIDTH	Packaged HEIGHT	Package Weight	Product weight	Shipment Type	
No	45.75	40.25	4.5	57.64	31.24	Small Parcel	

DWG. NO.	
MODEL NO: MR4541S	
SPEC NO:	
QUANTITY:	
DATE:	
CHECKED BY:	
FOR PROPOSAL ONLY ALL DIMENSIONS TO BE VERIFIED	
PROJECT:	
COLOR:	
FINISH:	
REVISIONS	
①	
②	
③	
④	
⑤	
⑥	
 <b>ELEGANT</b> FURNITURE & LIGHTING™	
500-550 E. Erie Avenue	
Philadelphia PA 19134	
1-888-388-3390	