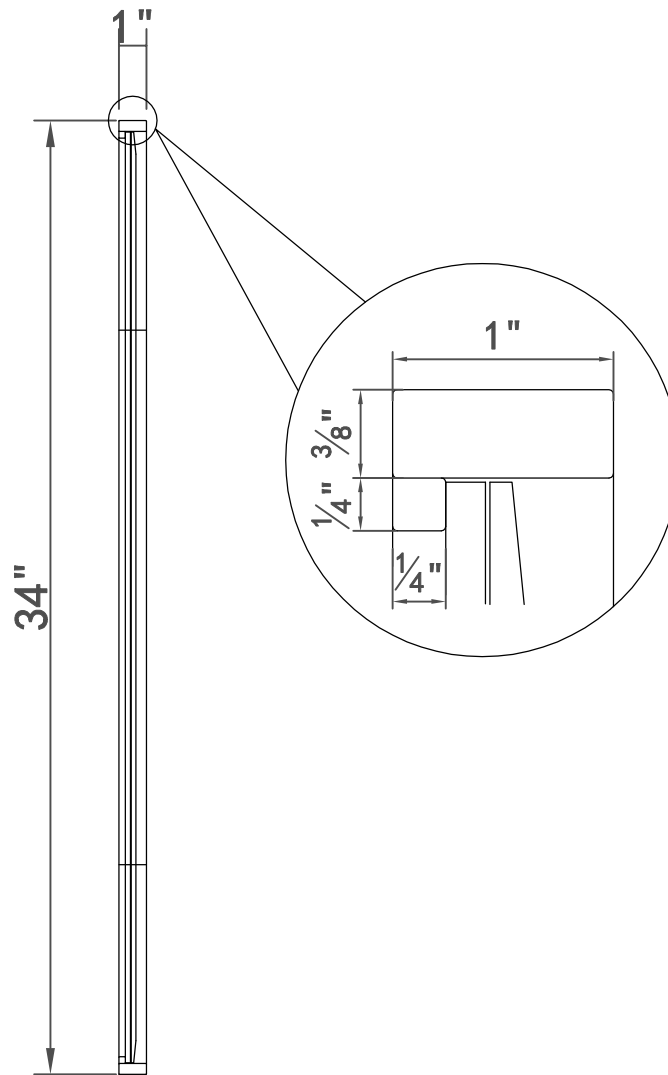


Front view



Side view

DWG. NO.

MODEL NO:
MR4424BR

SPEC NO:

QUANTITY:

DATE:

CHECKED BY:

FOR PROPOSAL ONLY ALL
DIMENSIONS TO BE VERIFIED

PROJECT:

COLOR:

FINISH:

REVISIONS

①	
②	
③	
④	
⑤	
⑥	

 **ELEGANT**
FURNITURE & LIGHTING™

500-550 E. Erie Avenue

Philadelphia PA 19134

1-888-388-3390

Mdel #	Product Type	Style	Product Width (in)	Product Depth (in)	Product Height (in)	Mirror Width	Mirror Depth
MR4424BR	Mirror	Contemporary	24	1	34	23.25"	0.16"
Mirror Height	Frame shape	Orientalion	Frame finish	Frame material	Mbunting / attachme nt type	Number of brackets	Beveled glass
33.125"	hexagon	Vertical and Horizontal	Brass	Metal and MDF	Metal Inset hanger	4	Yes
Frameles s	Package LENGTH	Packaged WIDTH	Packaged HEIGHT	Package Weight	Product weight	Shipment Type	
No	28.75	39.25	4.5	23.76	10.56	Small Parcel	

DWG. NO.

MODEL NO:
MR4424BR

SPEC NO:

QUANTITY:

DATE:

CHECKED BY:

FOR PROPOSAL ONLY ALL DIMENSIONS TO BE VERIFIED

PROJECT:

COLOR:

FINISH:

REVISIONS

①

②

③

④

⑤

⑥

 ELEGANT
FURNITURE & LIGHTING™

500-550 E. Erie Avenue
Philadelphia PA 19134
1-888-388-3390