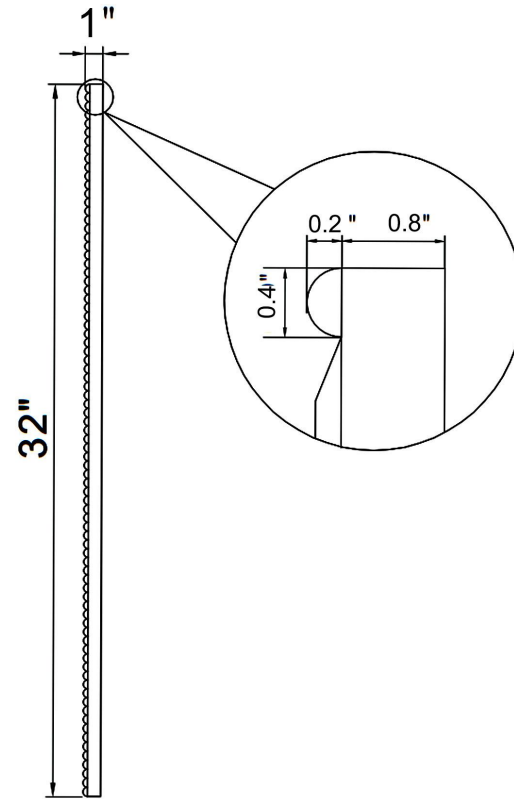
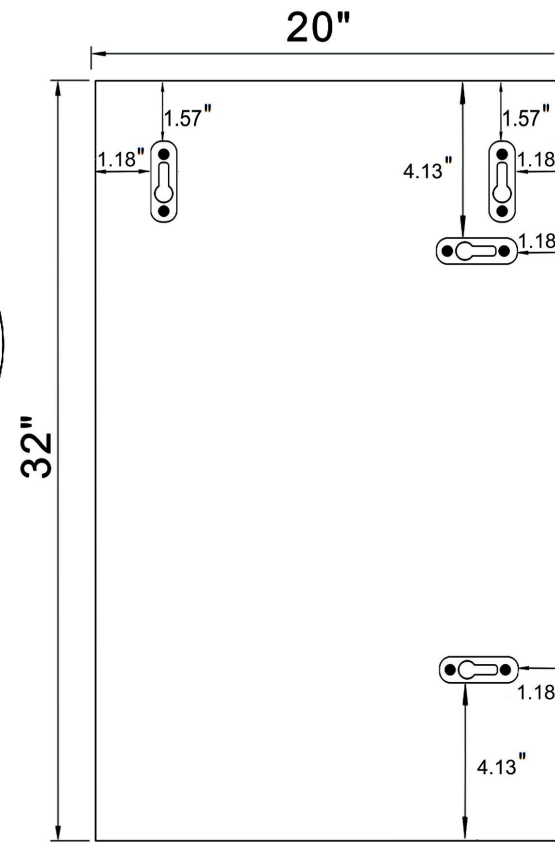


Front view



Side view



Back view

DWG. NO.

MODEL NO:
MR32032G

SPEC NO:

QUANTITY:

DATE:

CHECKED BY:

FOR PROPOSAL ONLY ALL
DIMENSIONS TO BE VERIFIED

PROJECT:

COLOR:

FINISH:

REVISIONS

- ①
- ②
- ③
- ④
- ⑤
- ⑥


 **ELEGANT**
FURNITURE & LIGHTING™

500-550 E. Erie Avenue

Philadelphia PA 19134

1-888-388-3390

Model #	Product Type	Product Description	Hand Painted	Product Width(in)	Product Depth(in)	Product Height(in)	Mirror Width
MR32032G	Mirror	Mirror 20"x32"x1" Antique Gold	YES	20	1	32	12
Mirror Depth	Mirror Height	Frame shape	Orientation	Frame finish	Frame material	Mounting /attachment type	Number of brackets
0.16	24	Rectangle	Vertical	Antique Gold	MDF	Metal hook	4
Beveled glass	Frameless	Package LENGTH	Packaged WIDTH	Packaged HEIGHT	Package Weight	Product weight	Shipment Type
Yes	NO	35.83	24.02	5.31	23.15	13.23	Small Parcel
"Any certificatio Californian?(CARB/ TSCA VI)"	"Furniture/Vanity:California Proposition 65 warning required"						
Yes	Yes						

DWG. NO.														
MODEL NO: MR32032G														
SPEC NO:														
QUANTITY:														
DATE:														
CHECKED BY:														
FOR PROPOSAL ONLY ALL DIMENSIONS TO BE VERIFIED														
PROJECT:														
COLOR:														
FINISH:														
<table border="1"> <thead> <tr> <th colspan="2">REVISIONS</th> </tr> </thead> <tbody> <tr><td>1</td><td></td></tr> <tr><td>2</td><td></td></tr> <tr><td>3</td><td></td></tr> <tr><td>4</td><td></td></tr> <tr><td>5</td><td></td></tr> <tr><td>6</td><td></td></tr> </tbody> </table>	REVISIONS		1		2		3		4		5		6	
REVISIONS														
1														
2														
3														
4														
5														
6														
 ELEGANT FURNITURE & LIGHTING™														
500-550 E. Erie Avenue Philadelphia PA 19134 1-888-388-3390														