

LIVING DISTRICT

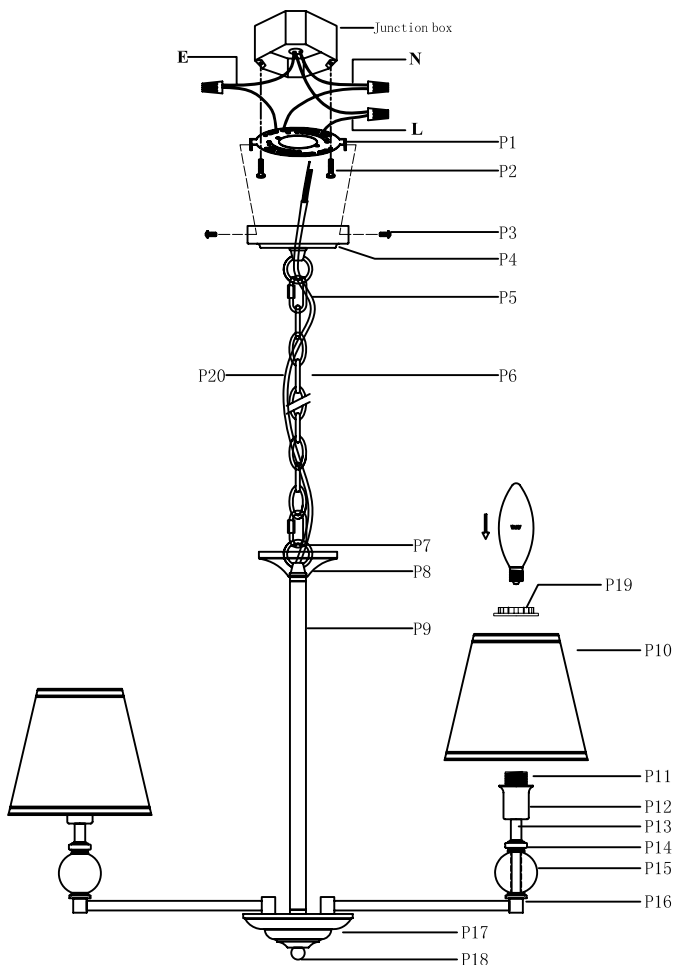
Collection: Bethany Hang

Installation manual for:

LD7024D25BK/BR/SN W27.1" H19.1" L5

Installation instructions:

1. Black wire from ceiling(junction box) attaches to "L"wire from the fixture.
 2. White wire from ceiling(junction box) attaches to "N"wire from the fixture.
 3. "E" wire from the fixture is attached to the mounting bracket and an additional "E" wire from the mounting bracket must be secured to the junction box.
 4. Secure mounting bracket to the junction box.
 5. Twist center rod(P9) to wire box(P17), Assemble chain(P6) with Toothed ring (P7), Assemble chain(P6) with canopy (P4)
 6. Separate and adjust the lamp arms, Use the screw(P3) to lock the lamp body to the mounting bracket (P1) on the ceiling.
 7. Locking the Fabric shade(P10) with the socket ring(P19)
 8. Install E12 light source.(Bulbs not supplied)
- The end!



Part	Picture	Description	Qty	Check list
P1		mounting bracket Φ4.53" * H0.59"	1	
P2		Mounting bracket screw	2	
P3		Screw	2	
P4		Canopy (Φ4.72" * H1.02")	1	
P5		Activity buckle L1.5" * W0.78" * Φ0.15"	2	
P6		Hanging chain(CHAIN04P) L1.5" * W0.78" * Φ0.15"(Total length 59")	1	
P7		Toothed ring W1.3" * H1.6", M10	2	
P8		Dish Φ3.7" * H1.2"	1	
P9		Rod (L15.35" * Φ0.75" * T0.04")	1	
P10		Fabric (Φ6.7" * Φ3.9") * H5.9"	5	
P11		E12 holder	5	
P12		Anti-edge light cup Φ1.57" * H1.57"	5	
P13		Tube (Φ0.49" * H0.98")	5	
P14		Metal Parts (Φ1.23" * H0.47")	5	
P15		Crystal Ball (Φ1.97")	5	
P16		Lamp Arm L9.6" * W0.98" * H0.85"	5	
P17		Wire Box Φ5.1" * H1.6"	1	
P18		Nut Φ0.63" * H0.5", M10	1	
P19		E12 Socket Ring	5	
P20		UL18#SVT-3, L78.7"	1	

"L" = Hot wire
 "N" = Neutral wire
 "E" = Ground wire